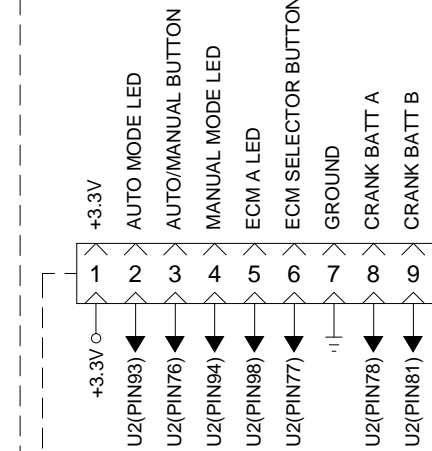
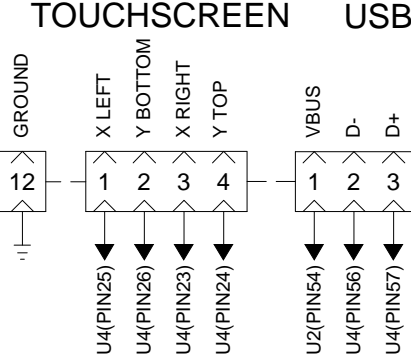


FPDP GEN II
CS P/N A042G184
SS P/N A042G186

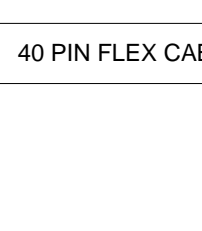
TO OVERLAY



TO LCD TOUCHSCREEN



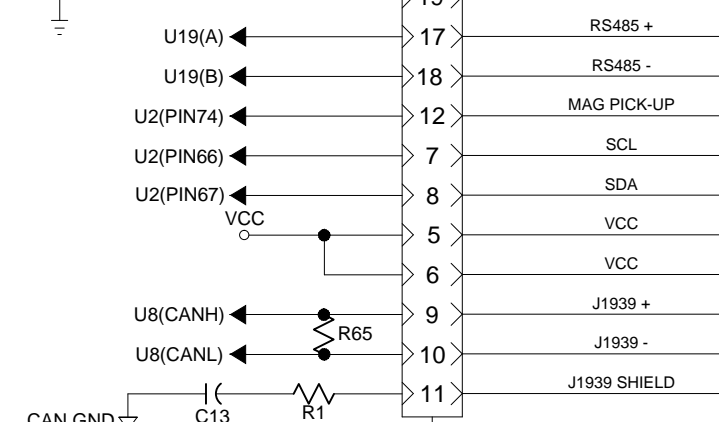
TO LCD



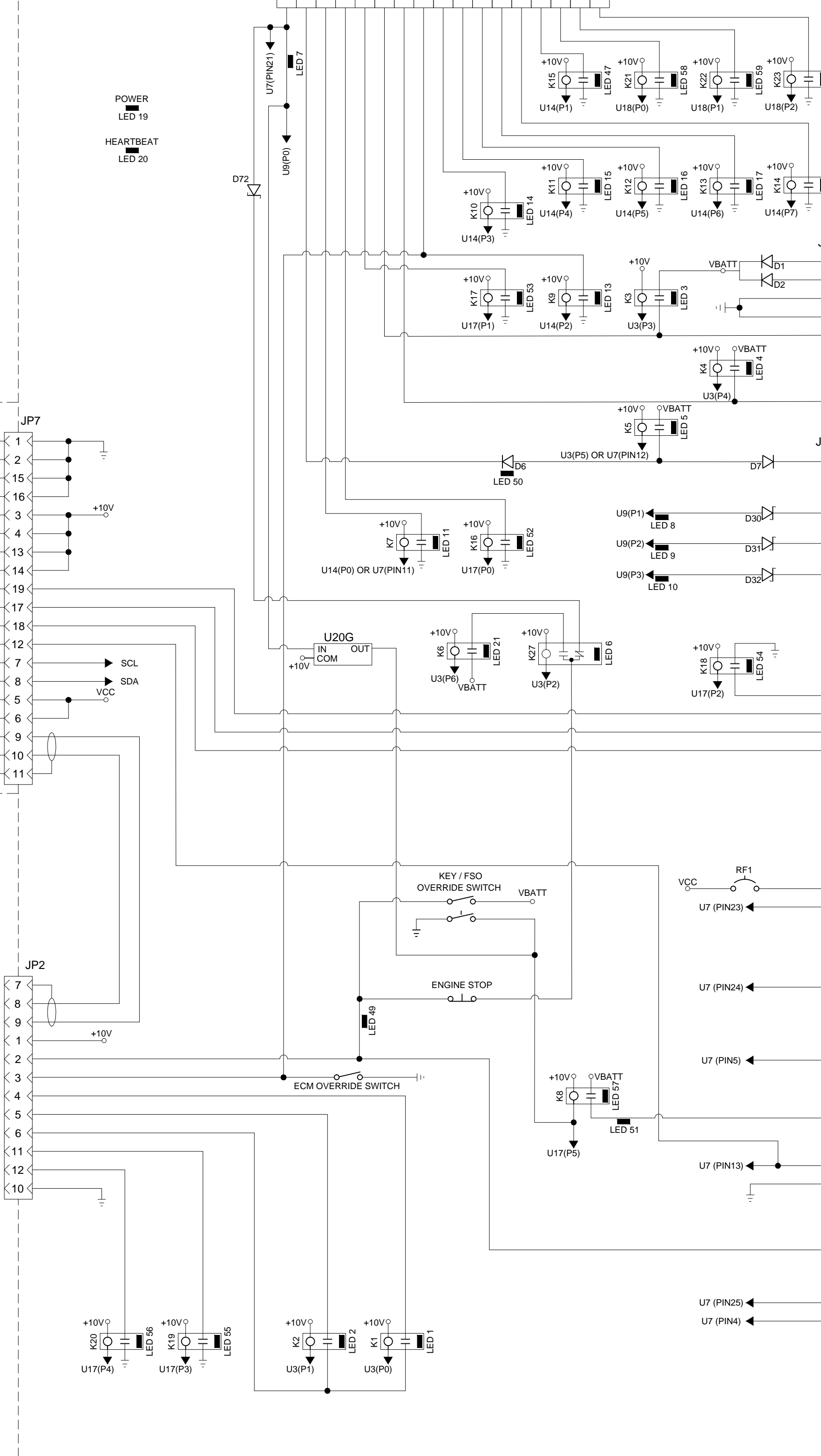
POWER LED 1

HEARTBEAT LED 2

P/N A042G195
DISPLAY BOARD



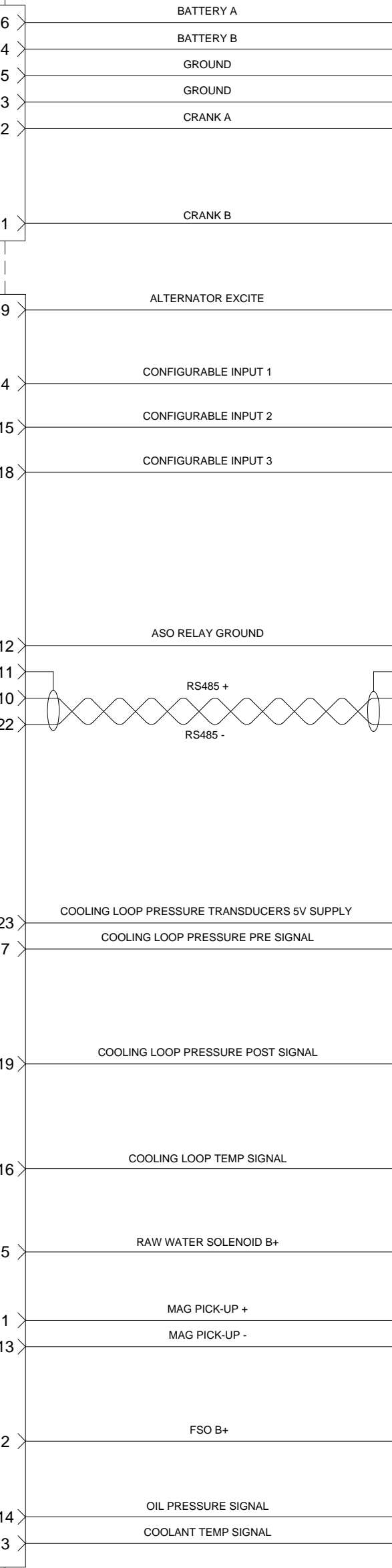
P/N A042G196
POWER BOARD



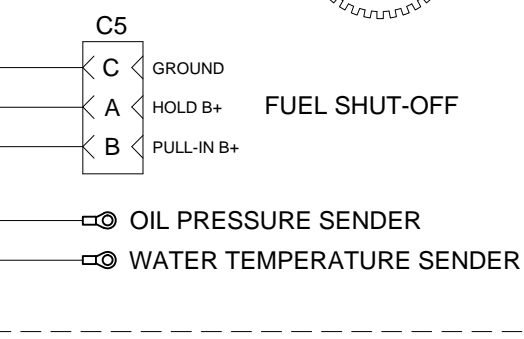
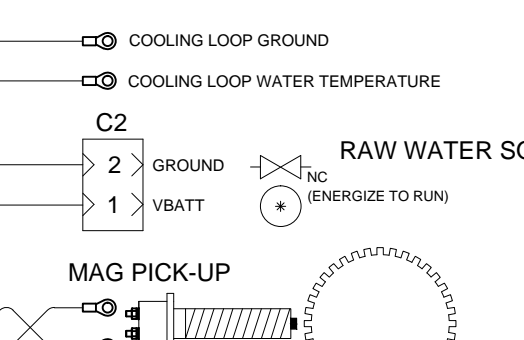
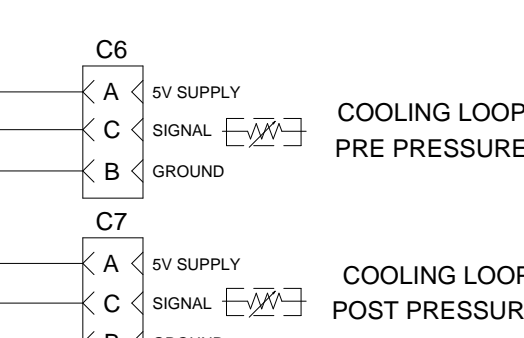
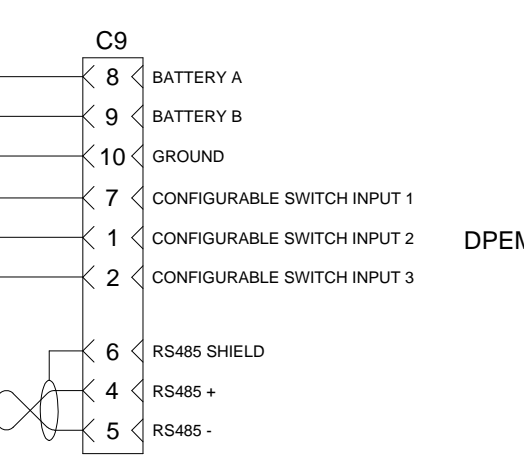
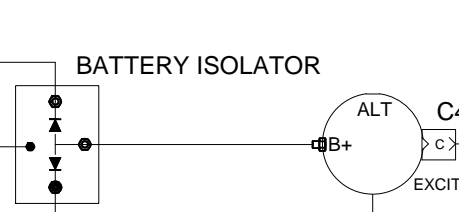
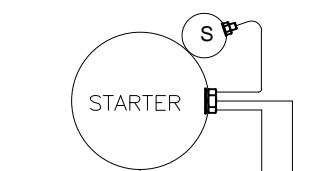
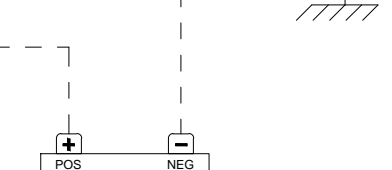
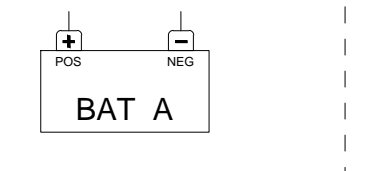
P/N A042C868

P/N A042H306

P/N A042G197



NOTE SEE SHEET 6 FOR BETTER VIEW OF POWER CIRCUITS



This document contains confidential and trade secret information, is the property of Cummins NPower LLC and is given to the receiver in confidence. The receiver is prohibited from disclosing this information to any third party without the prior written consent of Cummins NPower LLC. If you are not the intended recipient, you should not disseminate, distribute or copy this document. If you have received this document by mistake, please notify the sender immediately by e-mail at www.cumminsnpower.com. This document is not intended to be used in any way that may be illegal, unethical or otherwise in violation of applicable laws and regulations. © 2016 Cummins NPower LLC.

Cummins NPower
CORPORATE OFFICE
1600 BUERKLE ROAD
WHITE SEAR LAKE, IN
WWW.CUMMINSPOWER.COM

CUSTOM DESIGN AND
LIFT CENTER
875 LAWRENCE DRIVE
DEPOE, WISCONSIN

SCHEMATICS, OVERALL, CFP8.3
FPDP GEN II

UNLESS OTHERWISE SPECIFIED ALL DIMENSION TOLERANCES ARE:
ANGULAR DIMENSIONS ± 1°
THIRD ANGLE PROJECTION
IMPERIAL UNITS: INCH/LB/S
METRIC UNITS: MM/KG

DWG UNITS: INCH/LB/S
SCALE: 1:1
EST WEIGHT:

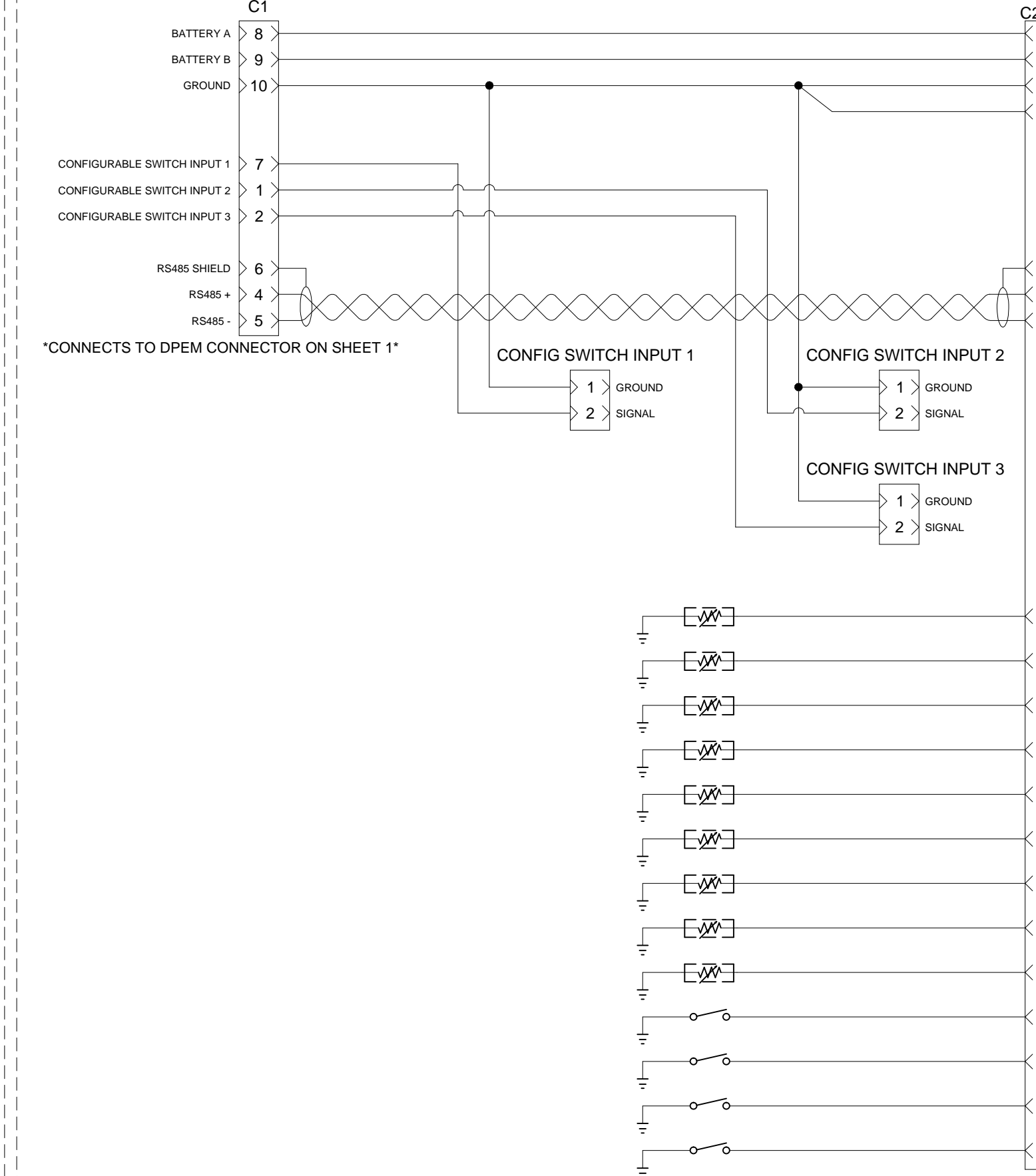
DRAWN BY: KAK
DATE: 22 NOV 2016
INIT ECO: 2016-694

SHEET 1 OF 3
DRAWING NO: A042J120

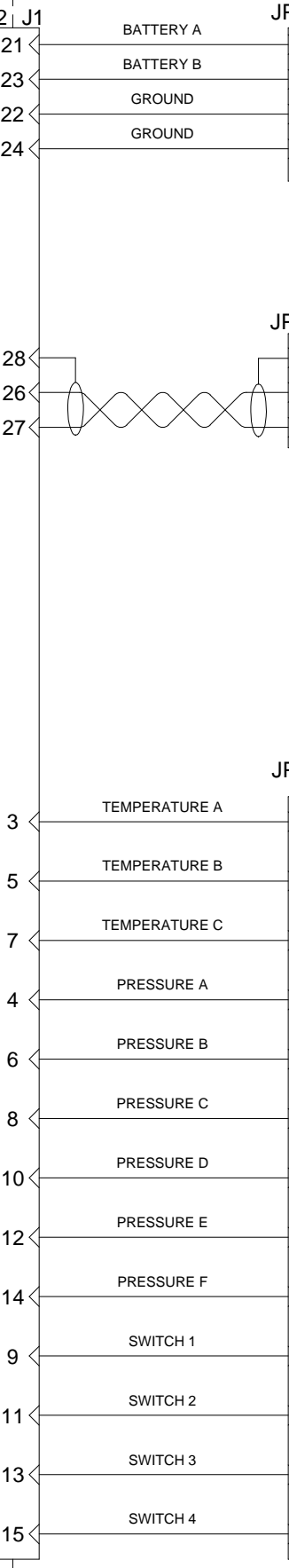
REV	ECO	DESCRIPTION OF REVISION	BY	DATE

DPEM OPTION

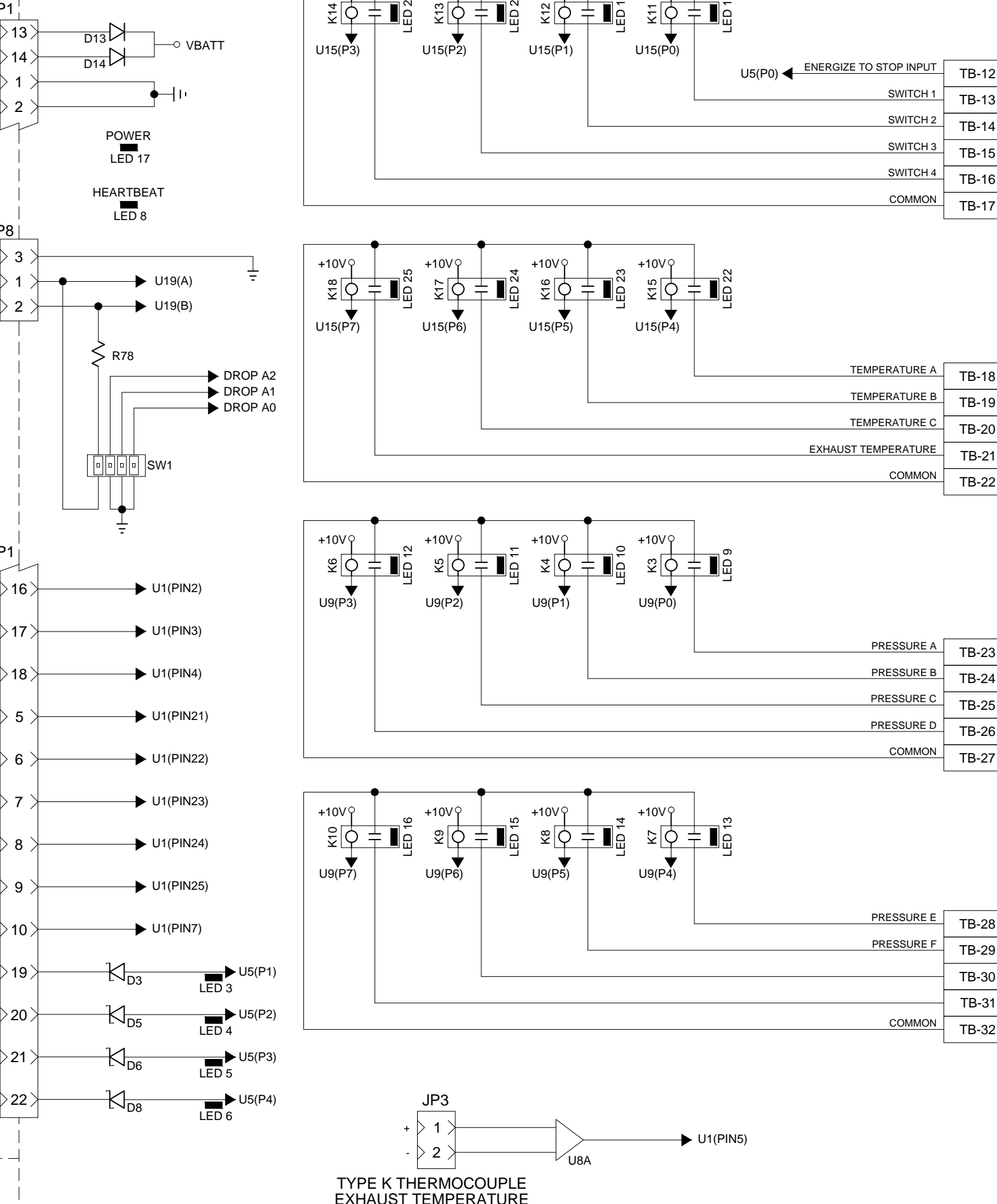
WIRE HARNESS



P/N 18488

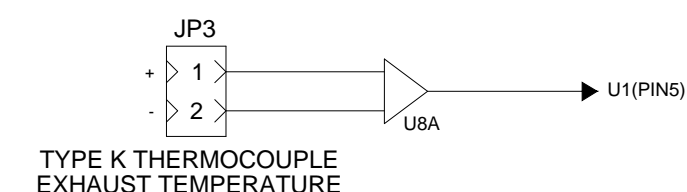
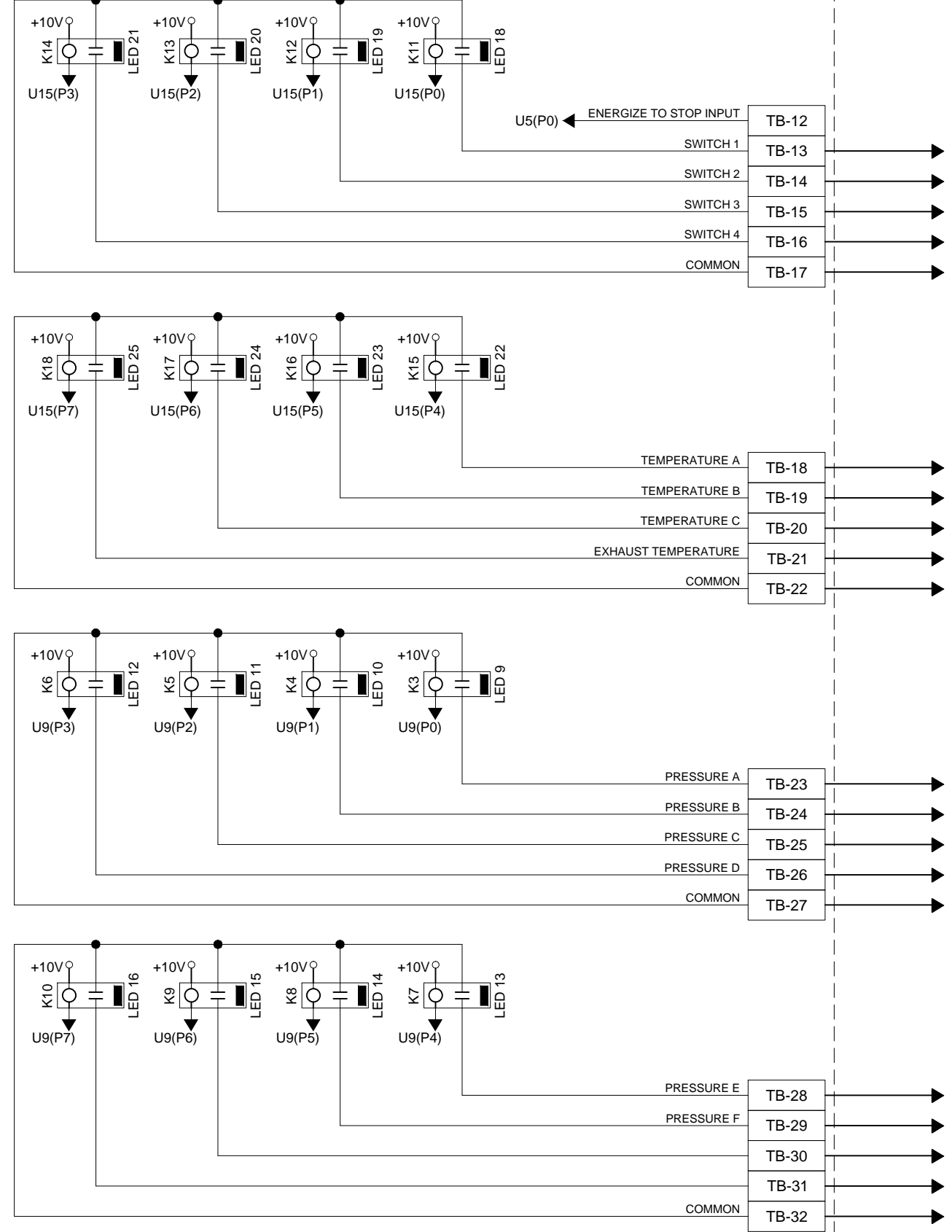


P/N 18487 POWER BOARD



DPEM SS P/N 18485

CUSTOMER CONNECTIONS



This document contains confidential and trade secret information, is the property of Cummins NPower LLC and is given to the receiver in confidence. The receiver is prohibited from disclosing this information to any third party without the prior written consent of Cummins NPower LLC. If you are not the intended recipient, you should not disseminate, distribute or take any action in reliance on the information herein. If you have received this document in error, please notify the sender immediately by email at custdes@cumminsnpower.com or by phone at 1-800-441-4262. Cummins NPower LLC is not responsible for any actions taken in reliance on the information herein. © 2016 Cummins NPower LLC.

UNLESS OTHERWISE SPECIFIED ALL DIMENSION TOLERANCES ARE:

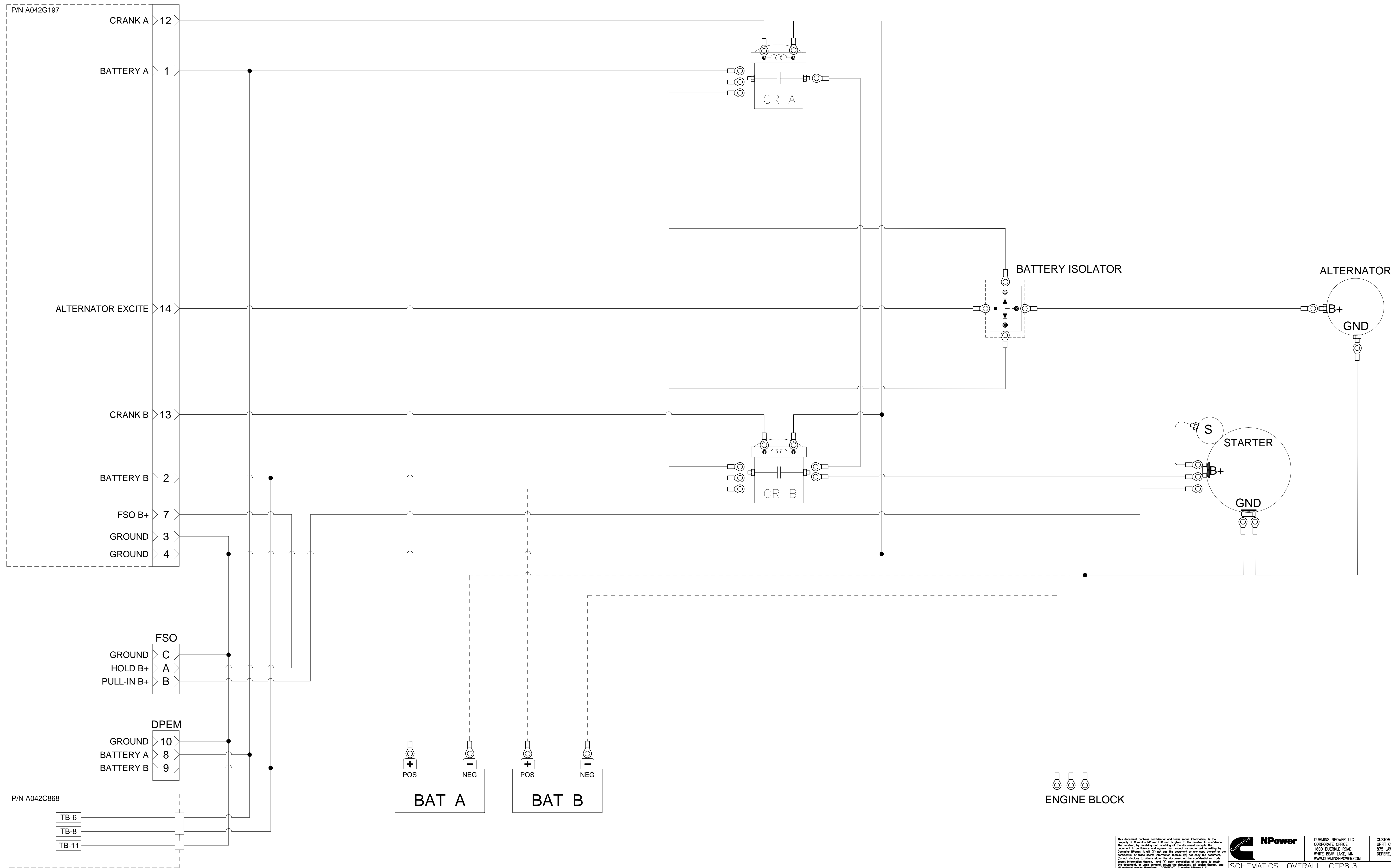
ANGULAR DIMENSIONS ± 1°	IMPERIAL UNITS	METRIC UNITS
0.005	0.005	0.125
0.010	0.010	0.250
0.015	0.015	0.375
0.020	0.020	0.500
0.030	0.030	0.750
0.040	0.040	1.000
0.050	0.050	1.250
0.060	0.060	1.500
0.070	0.070	1.750
0.080	0.080	2.000
0.090	0.090	2.250
0.100	0.100	2.500

THIRD ANGLE PROJECTION

SCHEMATICS, OVERALL, CFP8.3
FPDP GEN II

DWG UNITS: INCH/LB/S	DRAWN BY: KAK	DATE: 22 NOV 2016
SCALE:	SHEET 2 OF 3	INIT ECO: 2016-694
EST WEIGHT:	DRAWING NO: A042J120	

REV ECO DESCRIPTION OF REVISION BY DATE



This document contains confidential and trade secret information, is the property of Cummins NPower LLC and is given to the receiver in confidence. The receiver, by accepting and installing of this document, accepts liability to Cummins NPower, it will (1) not use the document or any info thereof or the confidential or trade secret information therein, (2) not copy the document, the document, or any portions, make the disclosure of copies thereof, and all material copies hereof. COPYRIGHT Cummins NPower LLC.

UNLESS OTHERWISE SPECIFIED ALL DIMENSION TOLERANCES ARE:

ANGULAR DIMENSIONS ± 1°	IMPERIAL UNITS	METRIC UNITS
0.0005	0.0005	0.0127
0.0010	0.0010	0.0254
0.0020	0.0020	0.0508
0.0050	0.0050	0.1270
0.0100	0.0100	0.2540

THIRD ANGLE PROJECTION

SCALE: EST WEIGHT:

NPower
 CUMMINS NPOWER LLC
 CORPORATE OFFICE
 1600 BUEKLE ROAD
 WHITE SEAR LAKE, ILL.
 WWW.CUMMINSPOWER.COM

CUSTOM DESIGN AND
 UPLIFT CENTER
 875 LAWRENCE DRIVE
 DEPOE, WISCONSIN

SCHMATICS, OVERALL, CFP8.3
 FPDP GEN II
 DWG UNITS: INCH/LB/S
 DRAWN BY: KAK
 DATE: 22 NOV 2016
 INIT ECO: 2016-694
 SHEET 3 OF 3
 DRAWING NO: A042J120

REV	ECO	DESCRIPTION OF REVISION	BY	DATE