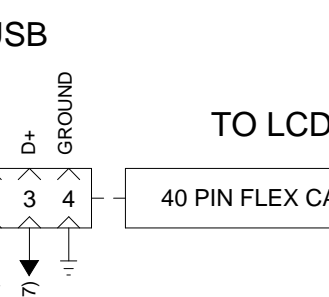
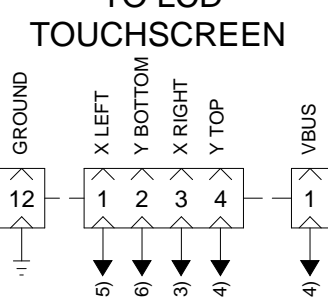
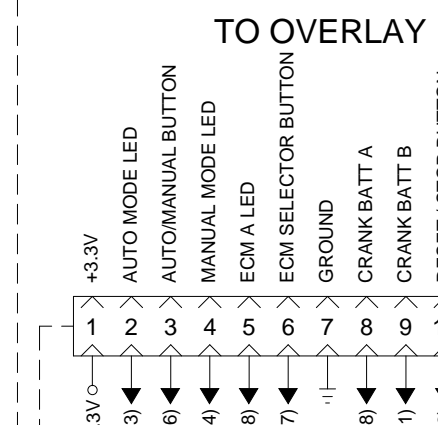


FPDP GEN II

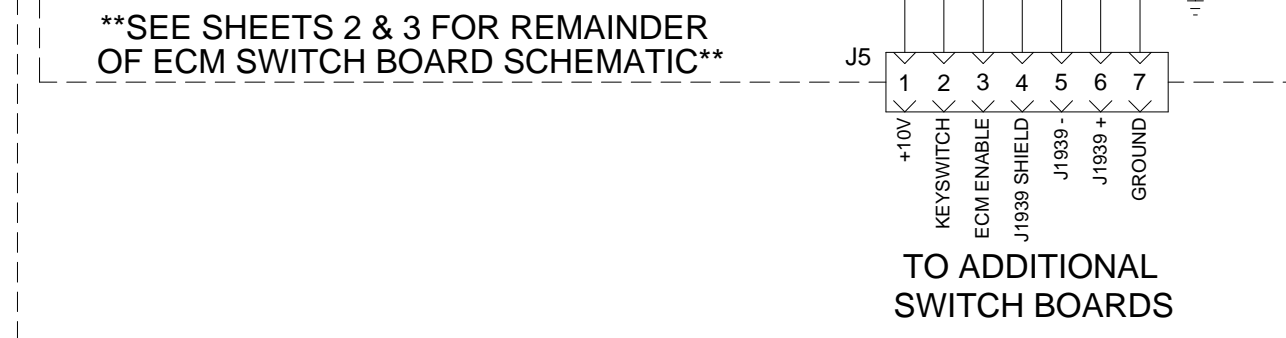
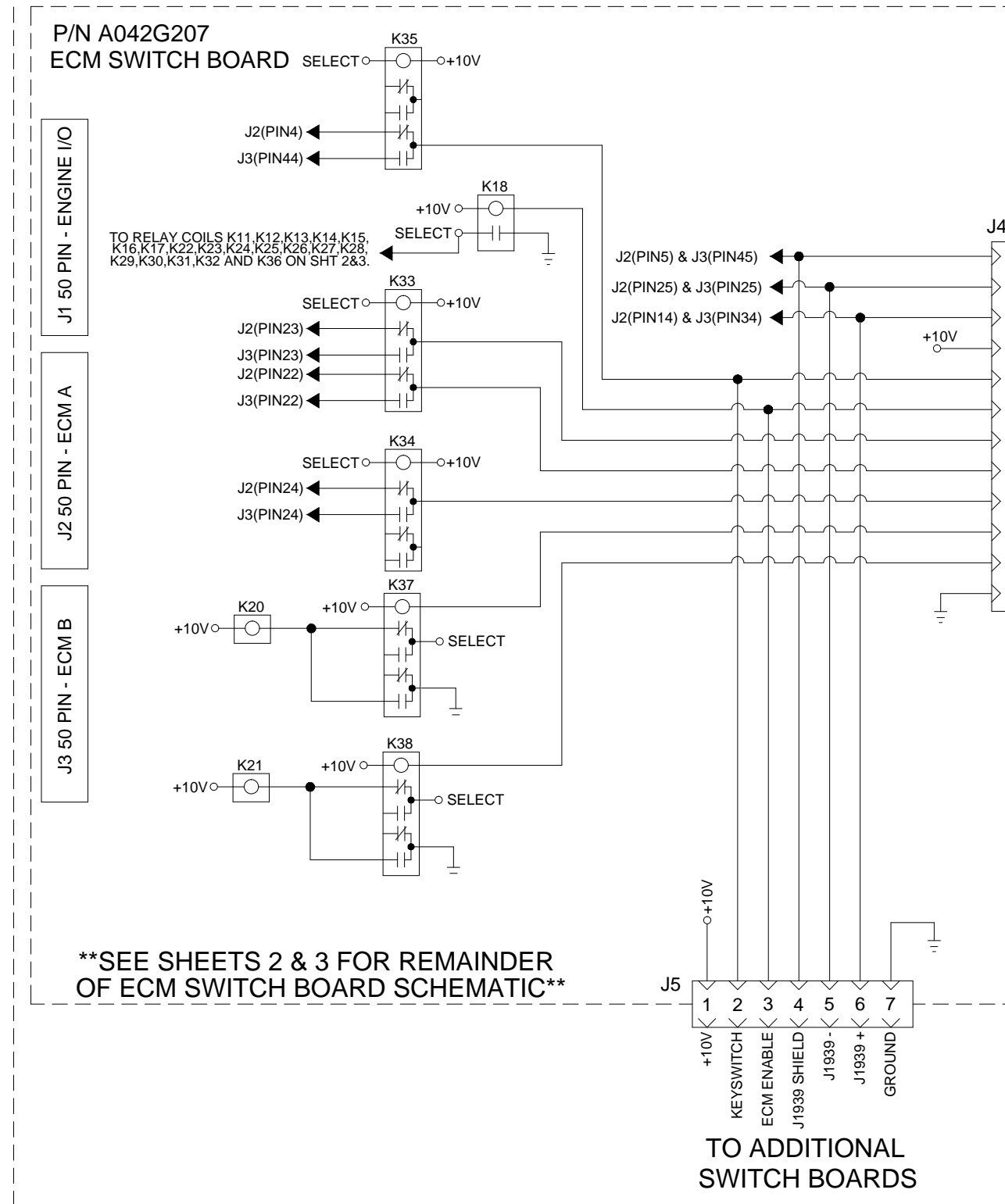
CS P/N A042G185
SS P/N A042G187



POWER LED 1
HEARTBEAT LED 2

P/N A042G195

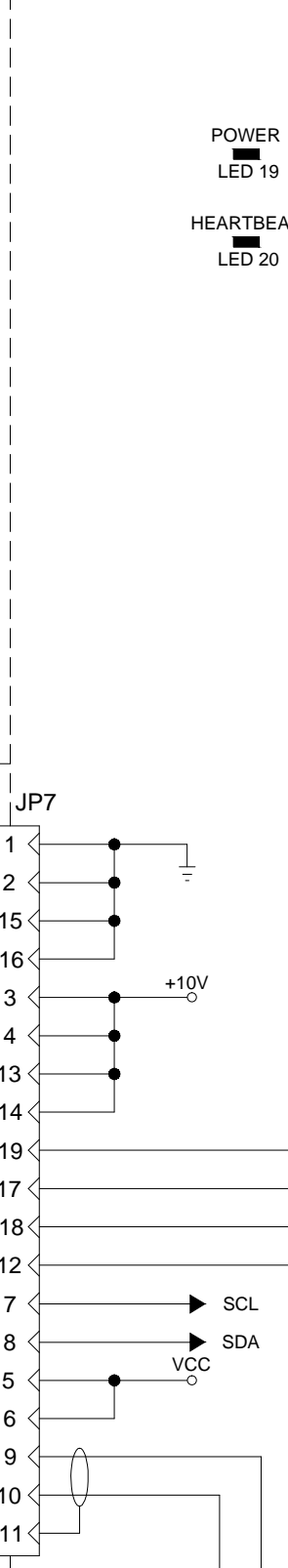
DISPLAY BOARD



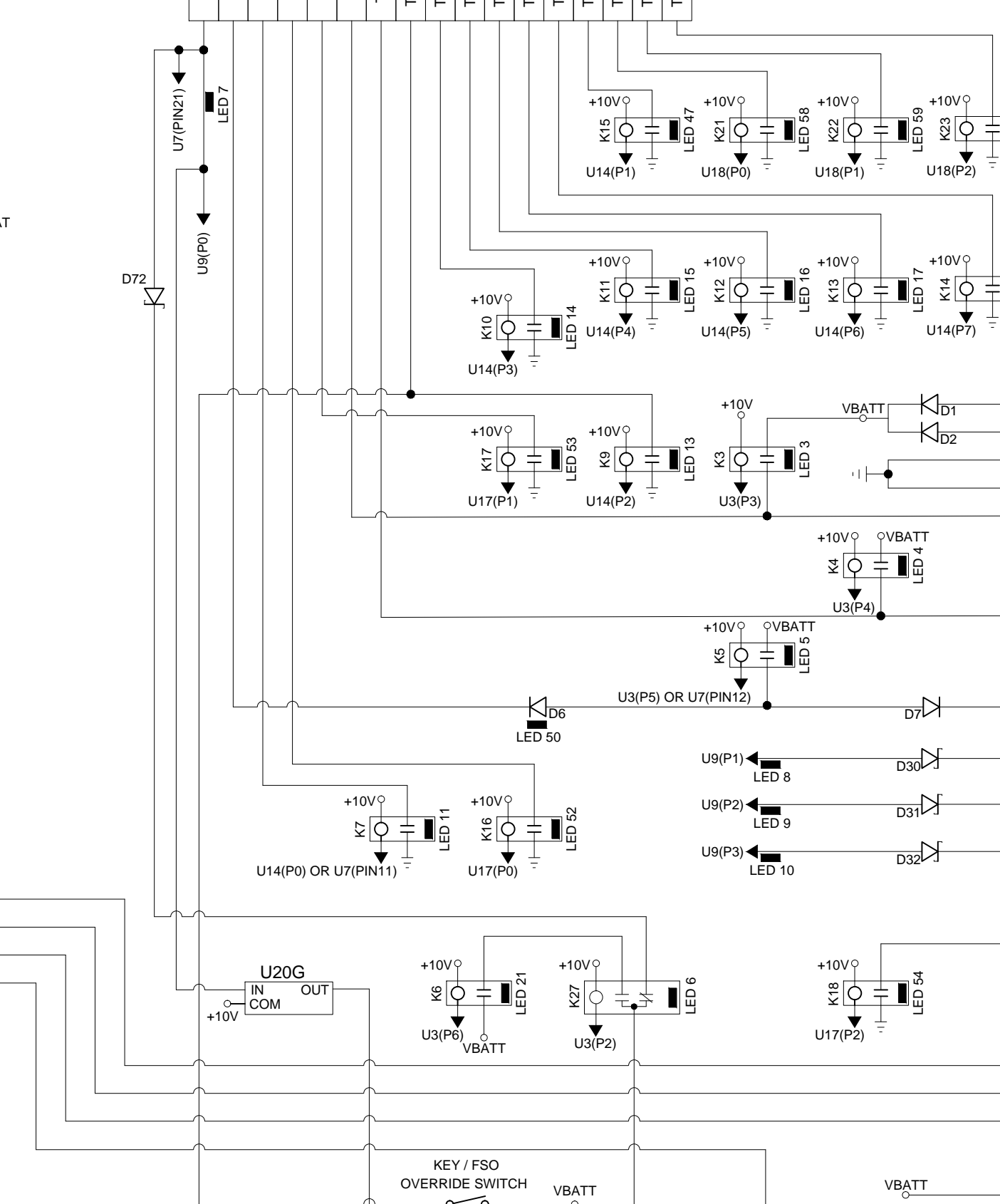
****SEE SHEETS 2 & 3 FOR REMAINDER OF ECM SWITCH BOARD SCHEMATIC****

P/N A042G196

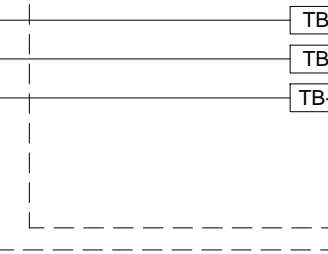
POWER BOARD



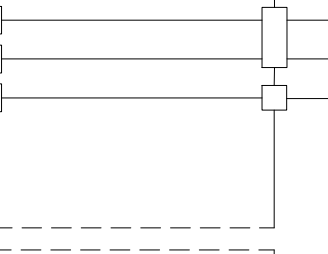
TO PUMP CONTROLLER



CS P/N A042C868
SS P/N A042F943

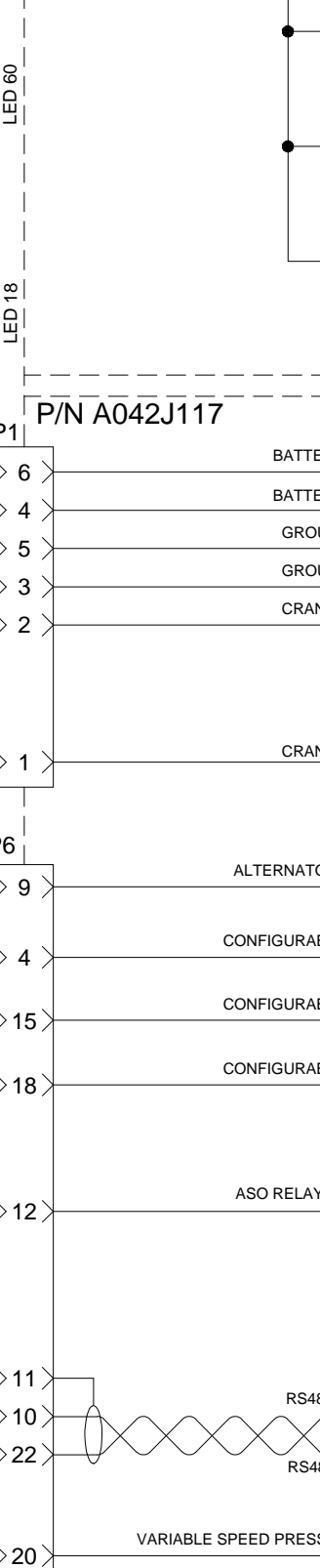


P/N A042H293



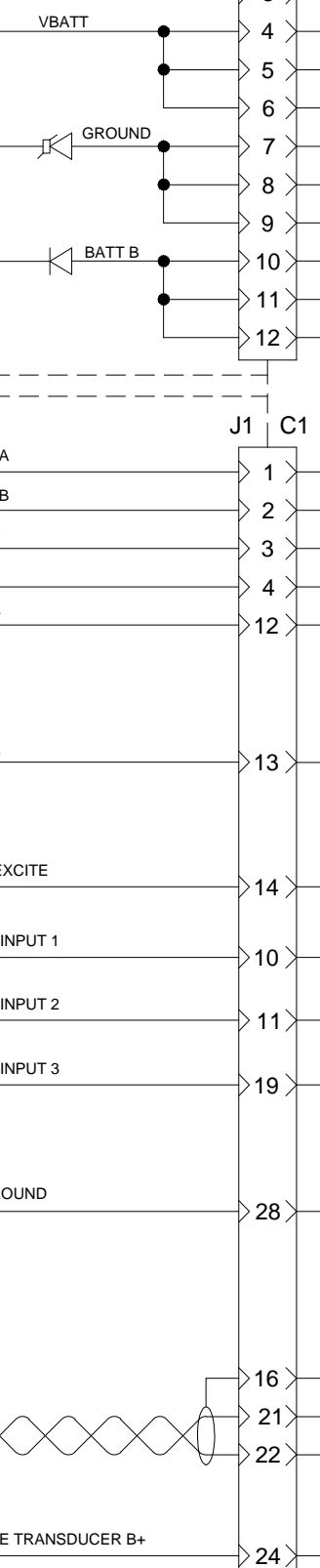
P/N 15155

ECM POWER BOARD

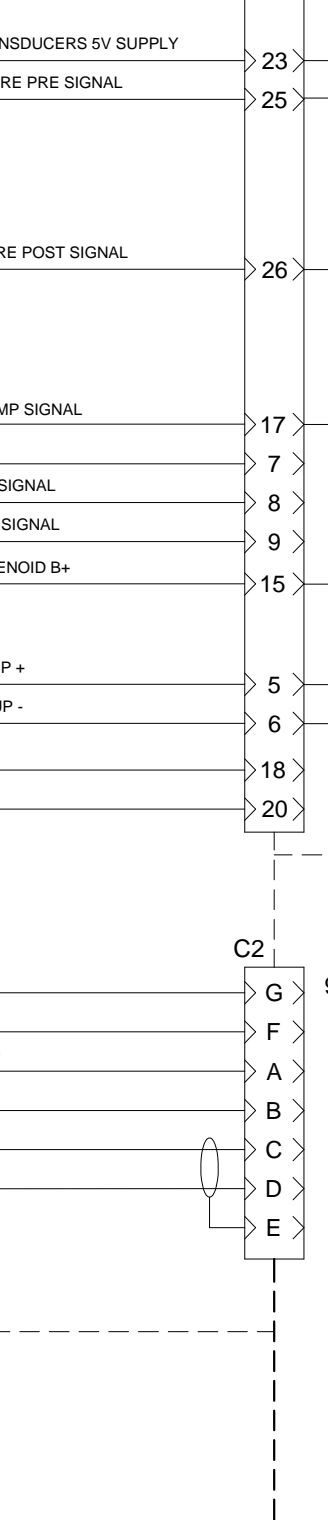


P/N A042J117

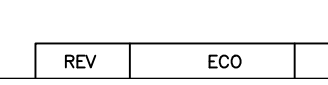
BATTERY A



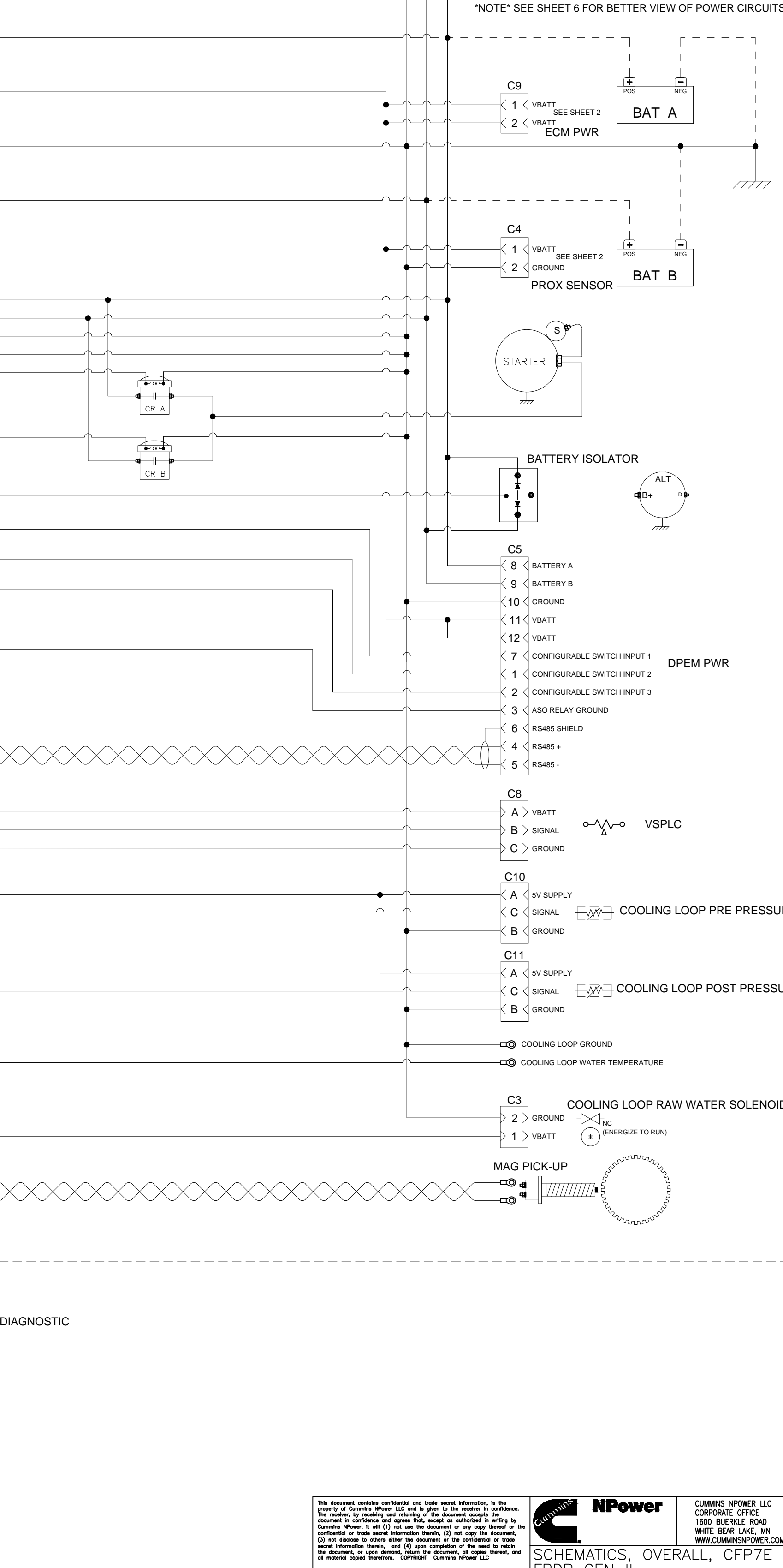
BATTERY B



9 PIN DIAGNOSTIC



***NOTE* SEE SHEET 6 FOR BETTER VIEW OF POWER CIRCUITS**



This document contains confidential and trade secret information, is the property of Cummins NPower LLC and is given to the receiver in confidence. The receiver, by accepting and installing of this document, accepts the document in confidence and agrees that it will not disclose or copy the information contained herein, or trade secret information herein, or use the information contained herein for any other purpose. If you are not the intended recipient, you should not disseminate, distribute, or copy this document. If you have received this document in error, please notify the sender immediately by e-mail at customer.support@cummins.com. All rights reserved. © 2016 Cummins NPower LLC.

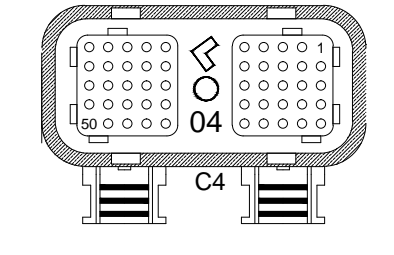
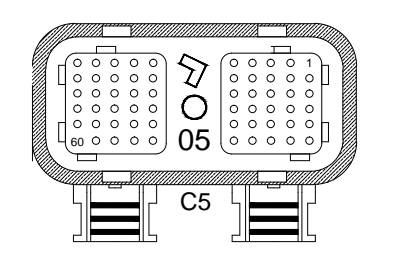
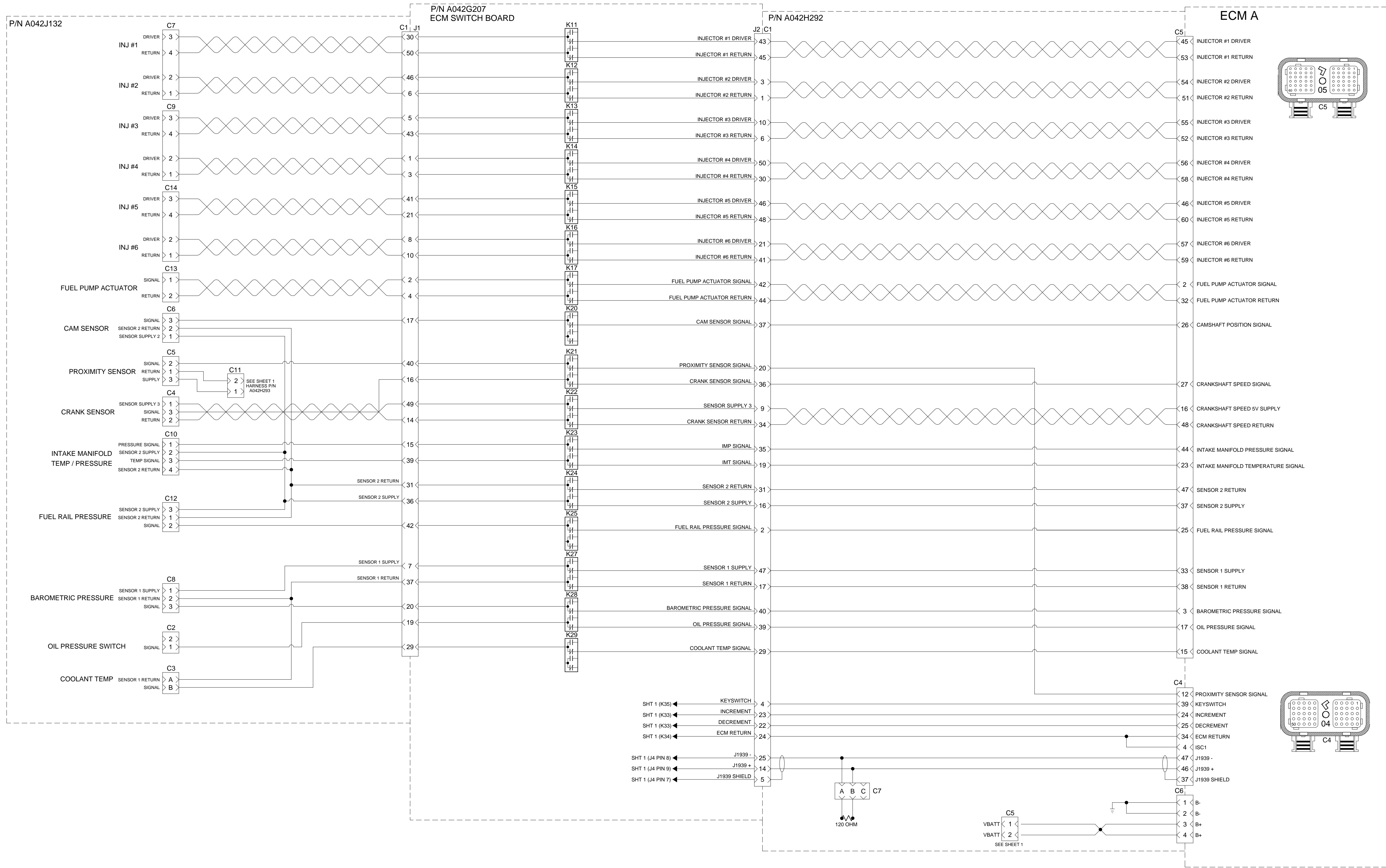
Cummins NPower
CORPORATE OFFICE
1600 BUERKLE ROAD
WHITE SEAR LAKE, IN
WWW.CUMMINSPOWER.COM

CUSTOM DESIGN AND
LIFT CENTER
875 LAWRENCE DRIVE
DEPOE, WISCONSIN

SHEMATICS, OVERALL, CFP7E
FPDP GEN II

UNLESS OTHERWISE SPECIFIED ALL DIMENSION TOLERANCES ARE:
ANGULAR DIMENSIONS ± 1°
THIRD ANGLE PROJECTION
IMPERIAL UNITS
METRIC UNITS
DWG UNITS: INCH/LB/S
SCALE: EST WEIGHT:
DRAWN BY: KAK
DATE: 22 NOV 2016
INIT ECO: 2016-694
SHEET 1 OF 6
DRAWING NO: A042J122

REV	ECO	DESCRIPTION OF REVISION	BY	DATE



This document contains confidential and trade secret information, is the property of Cummins NPower LLC and is given to the receiver in confidence. The receiver is prohibited from disclosing this information to any third party without the prior written consent of Cummins NPower LLC. If you are not an intended recipient, you should not disseminate, distribute or take any action in reliance on the information herein. If you have received this document in error, please notify the sender immediately by email at custdes@cummins.com. Cummins NPower LLC is not responsible for any actions taken in reliance on the information herein. ©2016 Cummins NPower LLC.

Cummins NPower | CUMMINS NPOWER LLC CORPORATE OFFICE | 1600 BUEKLE ROAD | WHITE SEAS LAKE, WI | WWW.CUMMINSPOWER.COM

CUSTOM DESIGN AND UPGRADE CENTER | 875 LAWRENCE DRIVE | DEPOE, WISCONSIN

SHEMATIC, OVERALL, CFP7E
FPDP GEN II

UNLESS OTHERWISE SPECIFIED ALL DIMENSION TOLERANCES ARE:

ANGULAR DIMENSIONS ± 1°	IMPERIAL UNITS	METRIC UNITS
0.0005	0.0005	0.0005
0.0010	0.0010	0.0010
0.0015	0.0015	0.0015
0.0020	0.0020	0.0020
0.0025	0.0025	0.0025
0.0030	0.0030	0.0030
0.0035	0.0035	0.0035
0.0040	0.0040	0.0040
0.0045	0.0045	0.0045
0.0050	0.0050	0.0050

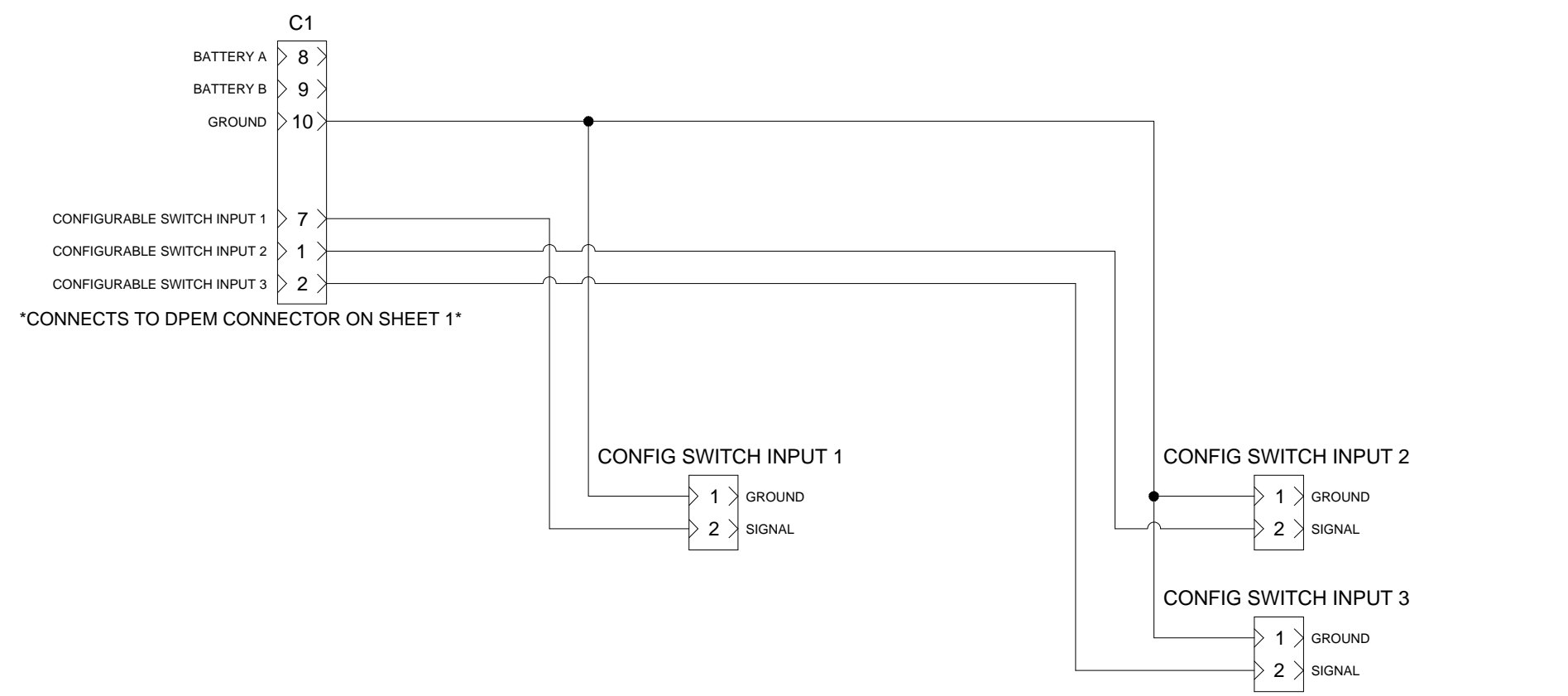
THIRD ANGLE PROJECTION

DWG UNITS: INCH/LB/S | DRAWN BY: KAK | DATE: 22 NOV 2016
SCALE: | INIT ECO: 2016-694

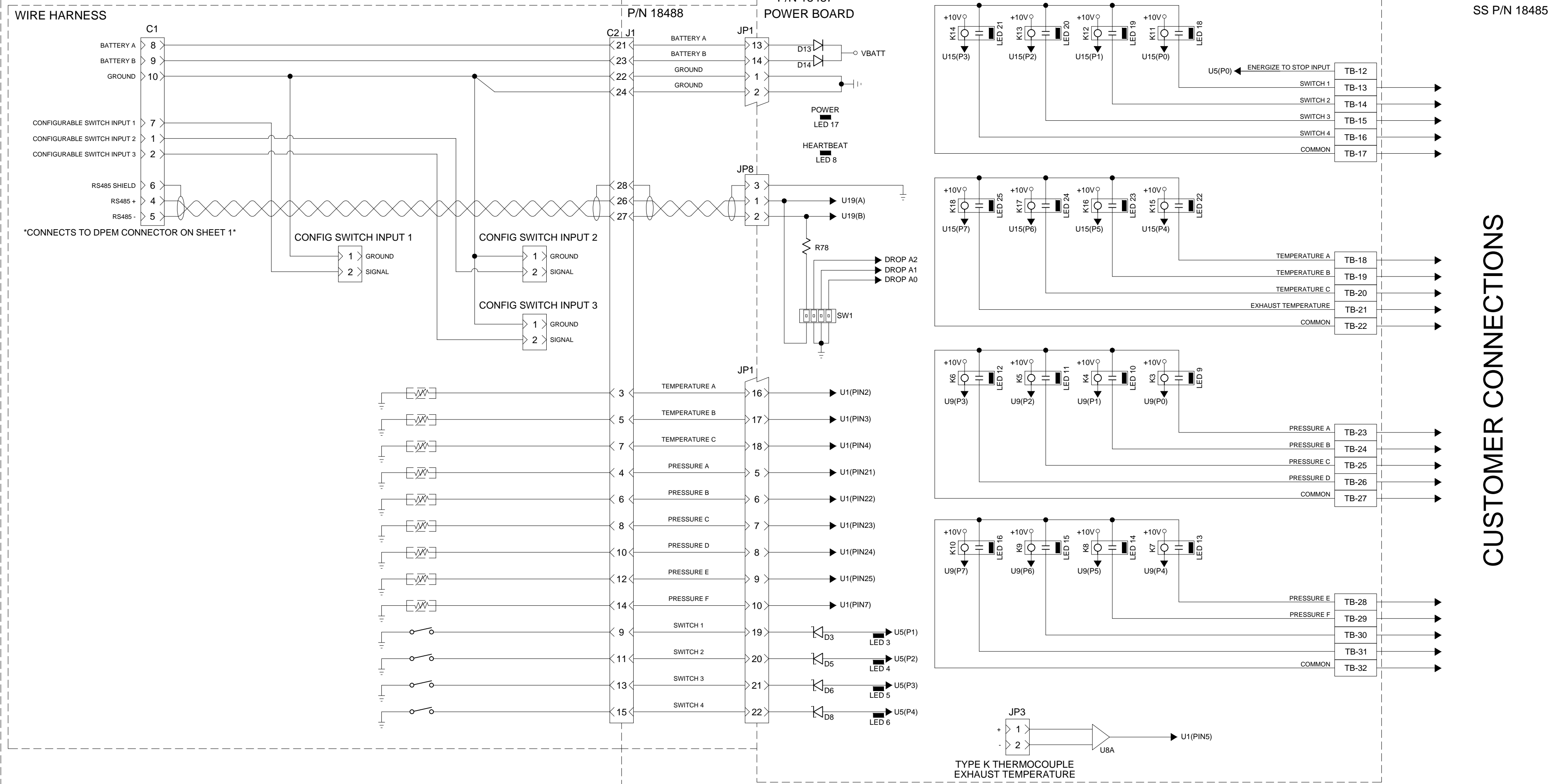
EST WEIGHT: | SHEET 2 OF 6 | DRAWING NO: A042J122

REV	ECO	DESCRIPTION OF REVISION	BY	DATE

NO ASO OPTION WITH UP TO 3 SWITCHED INPUTS



DPEM OPTION WITH NO ASO



CUSTOMER CONNECTIONS

This document contains confidential and trade secret information in the property of Cummins InPower LLC and is given to the receiver in confidence. The receiver is prohibited from disclosing this information to any third party without the prior written consent of Cummins InPower LLC. If you are not an intended recipient, you should not disseminate, distribute or copy this document. If you have received this document by mistake, please notify the sender immediately by e-mail at inpower@cummins.com. The document is valid only for the specific project, model, or configuration identified in the document. It does not constitute a contract, offer, or any other legal instrument. It is not to be used for any other purpose. © 2016 Cummins InPower LLC.

Cummins InPower
 CUMMINS INPOWER LLC
 CORPORATE OFFICE
 1600 BUERKLE ROAD
 WHITE SEAR LAKE, IN
 WWW.CUMMINSINPOWER.COM

CUSTOM DESIGN AND
 UFIT CENTER
 875 LAWRENCE DRIVE
 DEPOE, WISCONSIN

SHEMATIC, OVERALL, CFP7E
FPDP GEN II

UNLESS OTHERWISE SPECIFIED ALL DIMENSION TOLERANCES ARE:
 ANGULAR DIMENSIONS ± 1°
 THIRD ANGLE PROJECTION
 IMPERIAL UNITS: INCH/LB/S
 METRIC UNITS: MM/KG

DWG UNITS: INCH/LB/S
 SCALE: AS SHOWN
 EST WEIGHT:

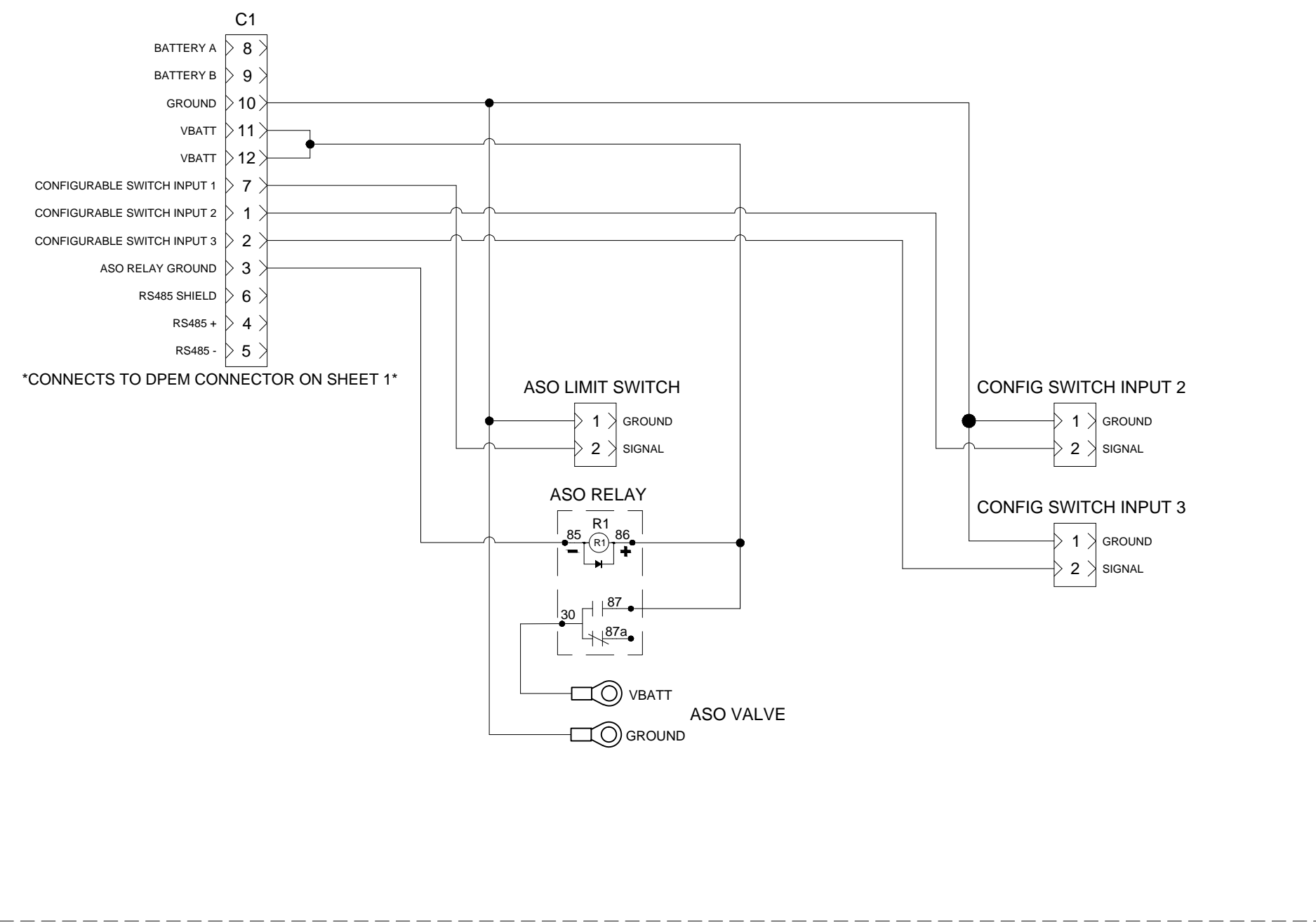
DATE: 22 NOV 2016
 INIT ECO: 2016-694

SHEET 4 OF 6
 DRAWING NO: A042J122

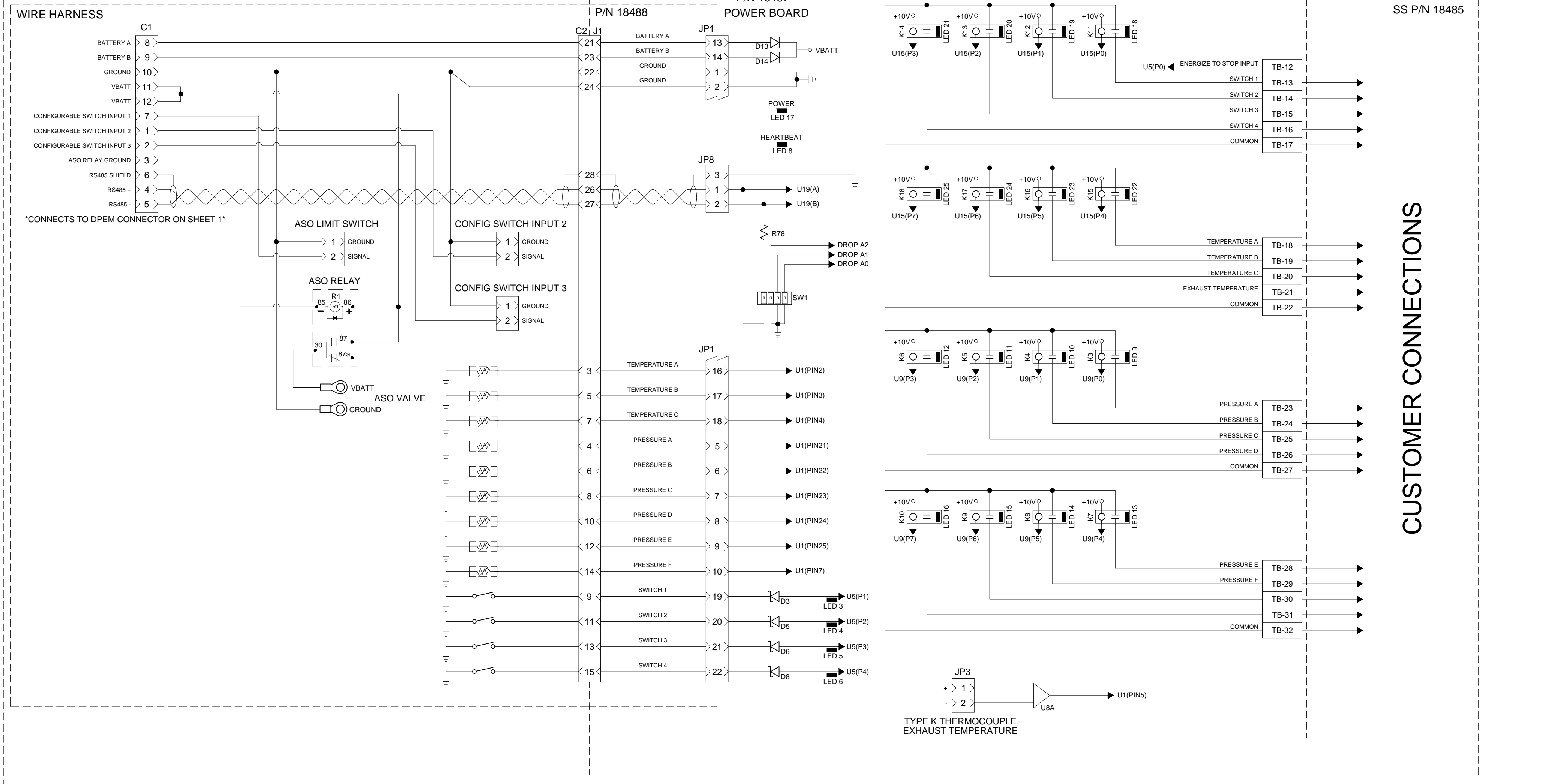
REV	ECO	DESCRIPTION OF REVISION	BY	DATE

IF AIR SHUT-OFF (ASO) IS SELECTED, THE UL/FM LISTING IS REMOVED AS THIS OPTION IS NOT ALLOWED PER THE STANDARDS.

ASO OPTION WITH UP TO 2 SWITCHED INPUTS

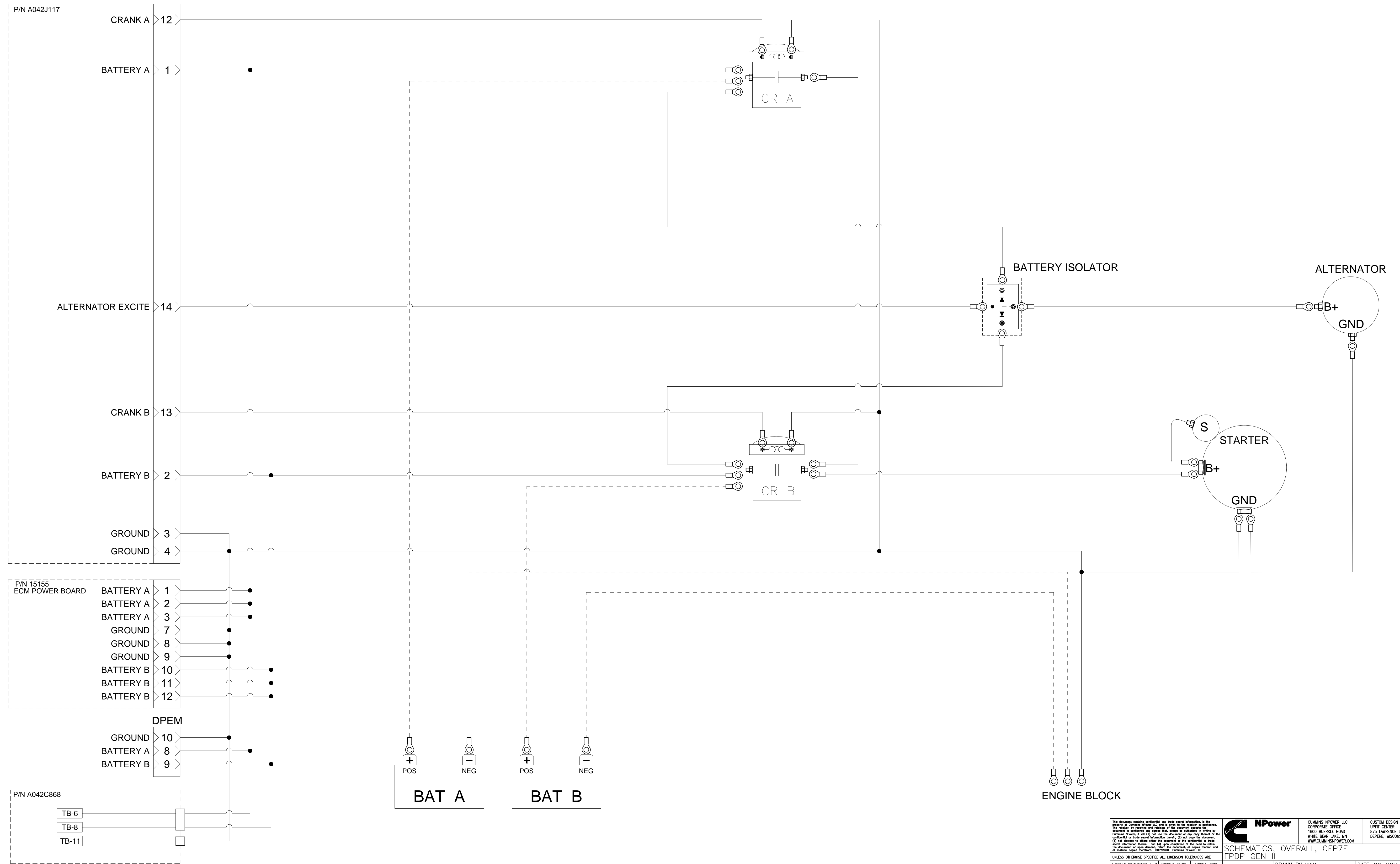


DPDM OPTION WITH ASO



CUSTOMER CONNECTIONS

<small>This document contains confidential and trade secret information in the property of Cummins NPower LLC and is given to the receiver in confidence. The receiver is prohibited from disclosing this information to any third party without the prior written consent of Cummins NPower LLC. If you are not an intended recipient, you should not disseminate, distribute or take any action in reliance on the information herein. If you have received this document in error, please notify the sender immediately by email at power@cummins.com. This document is not intended to constitute an offer of insurance or any other financial product. Cummins NPower LLC is not a licensed insurance broker. © 2016 Cummins NPower LLC.</small>			CUMMINS NPOWER LLC CORPORATE OFFICE 1600 BUERKLE ROAD WHITE SEAR LAKE, IN WWW.CUMMINSNPOWER.COM	CUSTOM DESIGN AND UPLIFT CENTER 875 LAWRENCE DRIVE DEPOE, WISCONSIN
SCHEMATICS, OVERALL, CFP7E FPDG GEN II				
UNLESS OTHERWISE SPECIFIED ALL DIMENSION TOLERANCES ARE: ANGULAR DIMENSIONS ± 1° THIRD ANGLE PROJECTION	IMPERIAL UNITS INCH/LB/S	METRIC UNITS MM/KG/M	DWG UNITS: INCH/LB/S SCALE: EST WEIGHT:	DRAWN BY: KAK DATE: 22 NOV 2016 INIT ECO: 2016-694
REV ECO DESCRIPTION OF REVISION BY DATE	SHEET 5 OF 6 DRAWING NO: A042J122			



This document contains confidential and trade secret information, is the property of Cummins NPower, LLC and is given to the receiver in confidence. The receiver, by accepting and installing of this document, accepts liability to Cummins NPower, LLC and shall not use, copy, or disseminate the information contained herein without the express written consent of Cummins NPower, LLC. If you are not the intended recipient, you should not disseminate, distribute or copy this document. If you have received this document by mistake, please notify the sender immediately by e-mail at ecm@cumminsnpower.com. Cummins NPower, LLC is not responsible for any actions taken in reliance on the information contained herein. ©2016 Cummins NPower, LLC.

UNLESS OTHERWISE SPECIFIED ALL DIMENSION TOLERANCES ARE:
 ANGULAR DIMENSIONS ± 1°
 THIRD ANGLE PROJECTION

IMPERIAL UNITS FRACTIONS 1/16, 1/8, 3/16, 1/2, 5/8, 3/4, 7/8, 1	METRIC UNITS DECIMALS 0.1, 0.2, 0.5, 1, 2, 5, 10, 20, 50, 100
---	---

SCHEMATICS, OVERALL, CFP7E
FPDP GEN II
INCH/LB/S
AUTO CAD
 DRAWN BY: KAK
 DATE: 22 NOV 2016
 INIT ECO: 2016-694
 SHEET 6 OF 6
 DRAWING NO: A042J122

REV	ECO	DESCRIPTION OF REVISION	BY	DATE