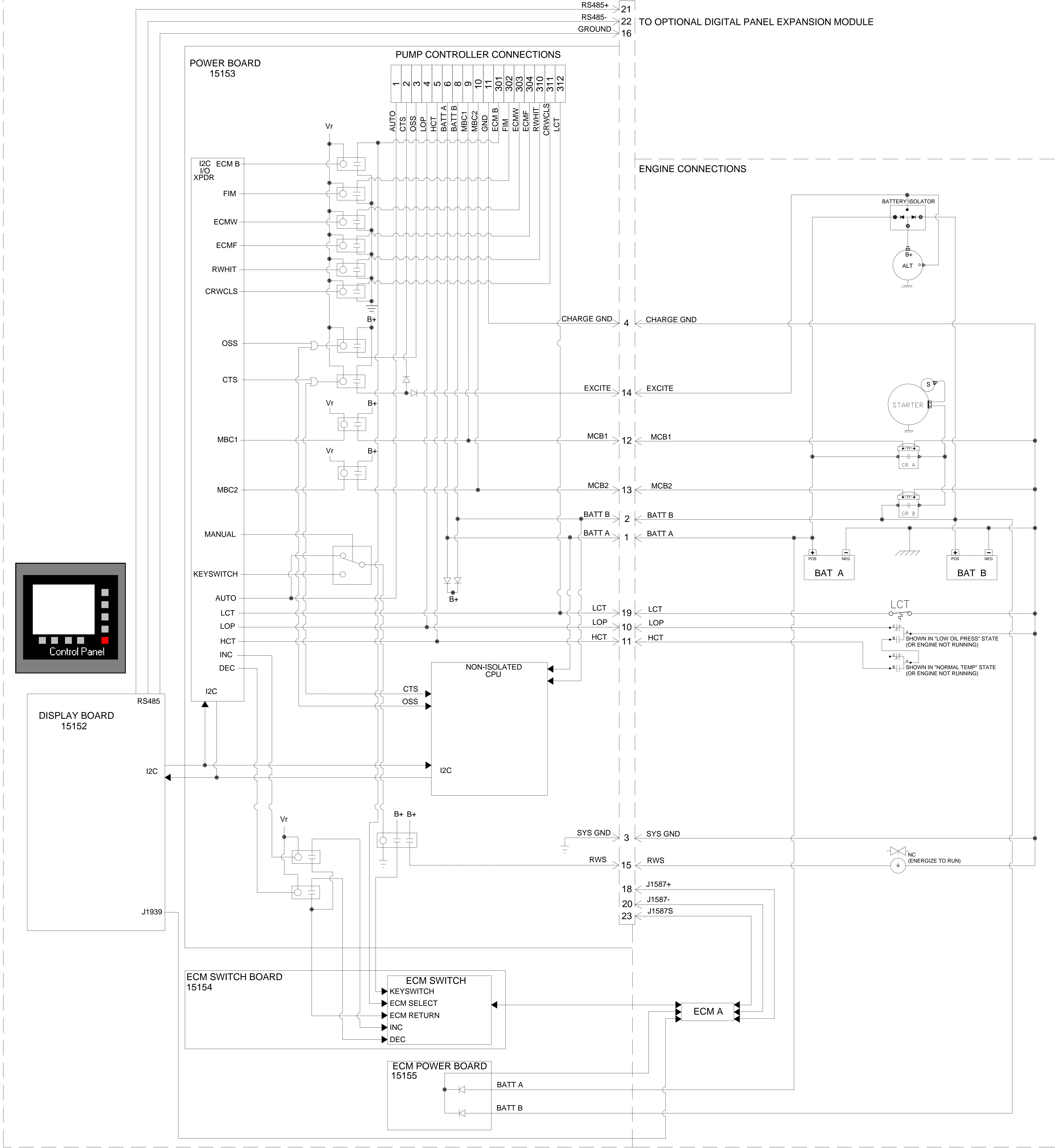


CONTROL PANEL ENCLOSURE



LEGEND:
 OSS = OVER SPEED SWITCH
 CTS = CRANK TERMINATION SWITCH
 MBC1 = MAIN BATTERY CONTACTOR 1
 MBC2 = MAIN BATTERY CONTACTOR 2
 LCT = LOW COOLANT TEMPERATURE
 HCT = HIGH COOLANT TEMPERATURE
 LOP = LOW OIL PRESSURE
 RWS = RAW WATER SOLENOID
 RWHT = RAW WATER HIGH INLET TEMP
 CRWCLS = CLOGGED RAW WATER COOLING LOOP STRAINER
 ECMW = ELECTRONIC CONTROL MODULE WARNING
 ECMF = ELECTRONIC CONTROL MODULE FAILURE

NOTES: 1) SEE SHEET 2 FOR CFP30E ECM SWITCH SCHEMATIC

This document contains confidential and trade secret information, is the property of Cummins Fire Power LLC and is given to the recipient in confidence. The recipient, by receiving and retaining of the document accepts the document in confidence and agrees that, except as authorized in writing by Cummins Fire Power, it shall not disclose the document or any data thereon or confidential or trade secret information thereon, it shall not copy the document, it shall not disclose to others the document or the confidential or trade secret information thereon, and it shall upon completion of the need to retain the document, or upon demand, return the document, all copies thereof, and all material copied therefrom. COPYRIGHT Cummins Fire Power LLC.

UNLESS OTHERWISE SPECIFIED ALL DIMENSION TOLERANCES ARE:

ANGULAR DIMENSIONS ± 1°	IMPERIAL UNITS	METRIC UNITS
THIRD ANGLE PROJECTION	AS SHOWN	AS SHOWN

Cummins Fire Power
 CUMMINS FIRE POWER LLC
 CORPORATE OFFICE
 1600 BUSCKLE ROAD
 WHITE BEAR LAKE, MN
 57975
 WWW.CUMMINSFIREPOWER.COM

SCHEMATIC: FIRE PUMP DRIVERS
 CFP MODELS: 30E

DWG UNITS: INCH/LB/S
 SCALE: AS SHOWN
 EST WEIGHT: _____

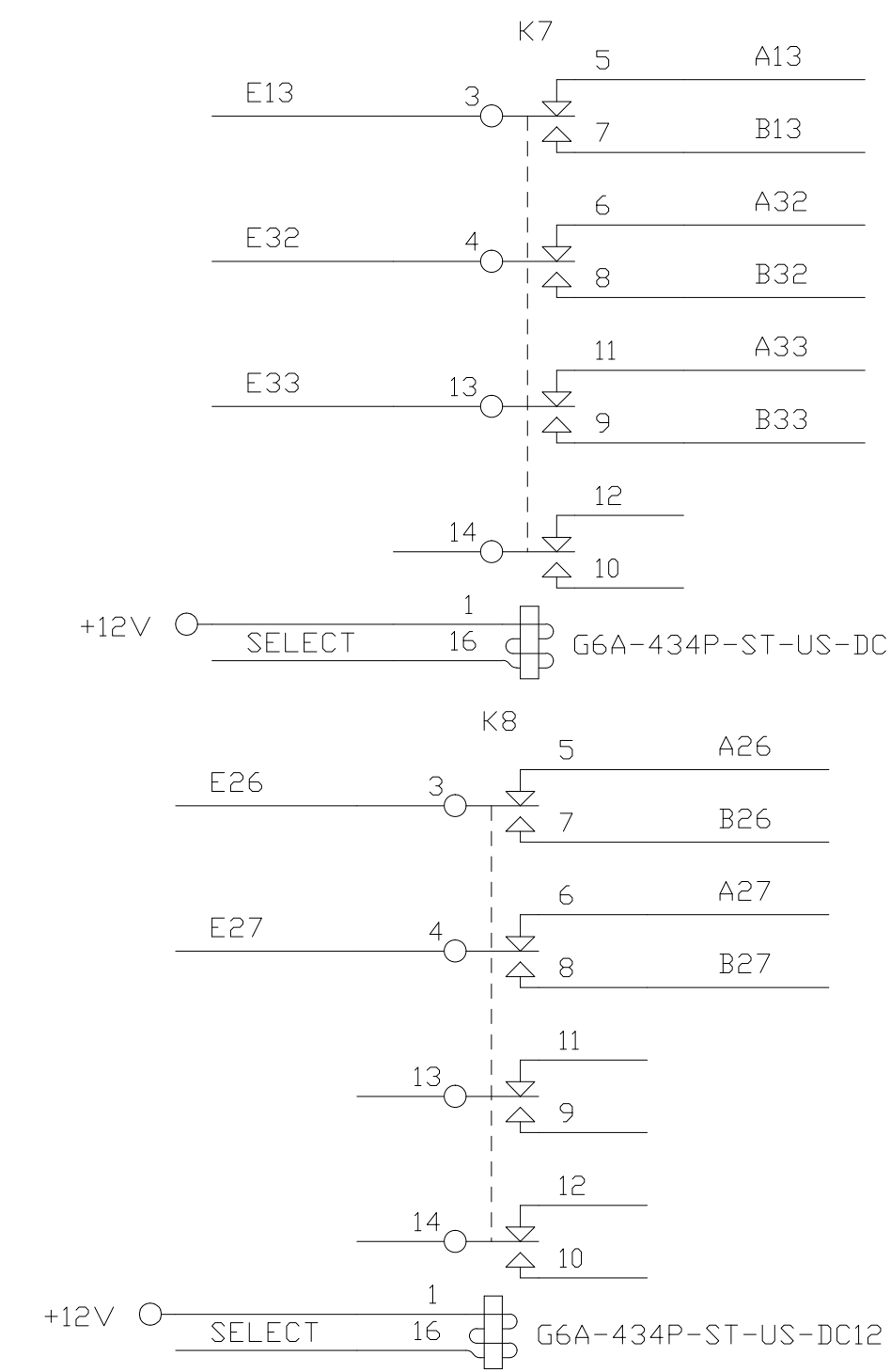
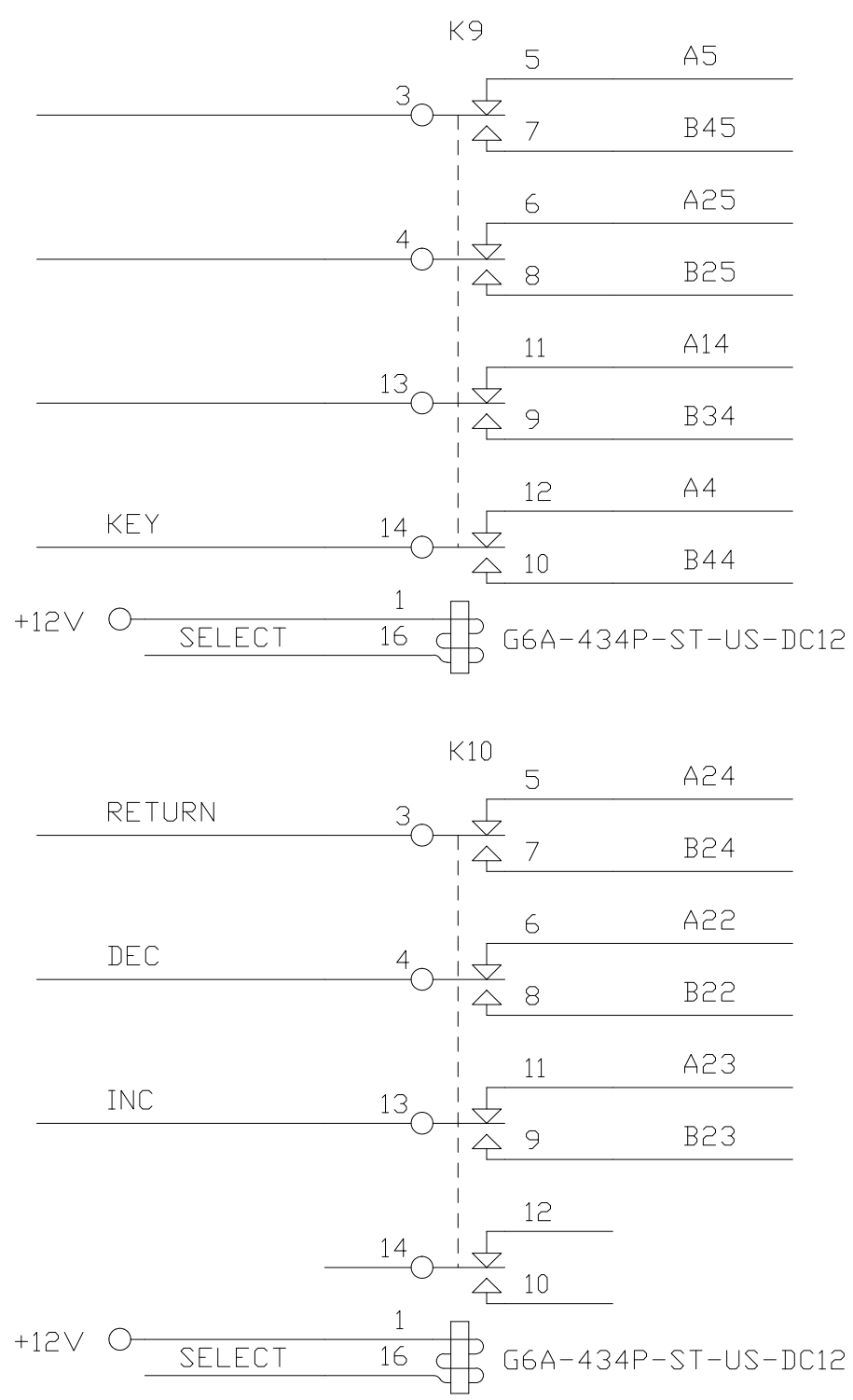
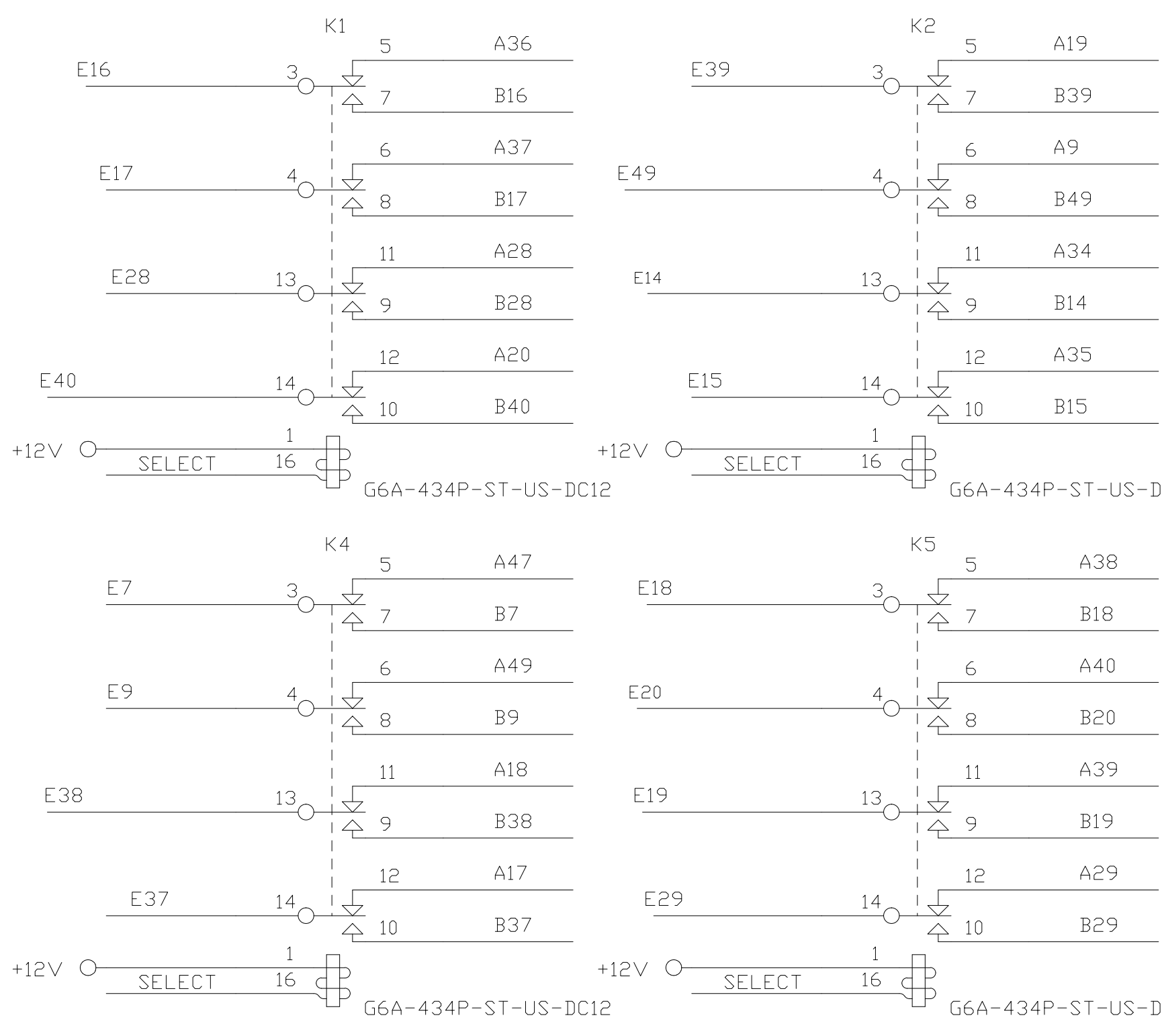
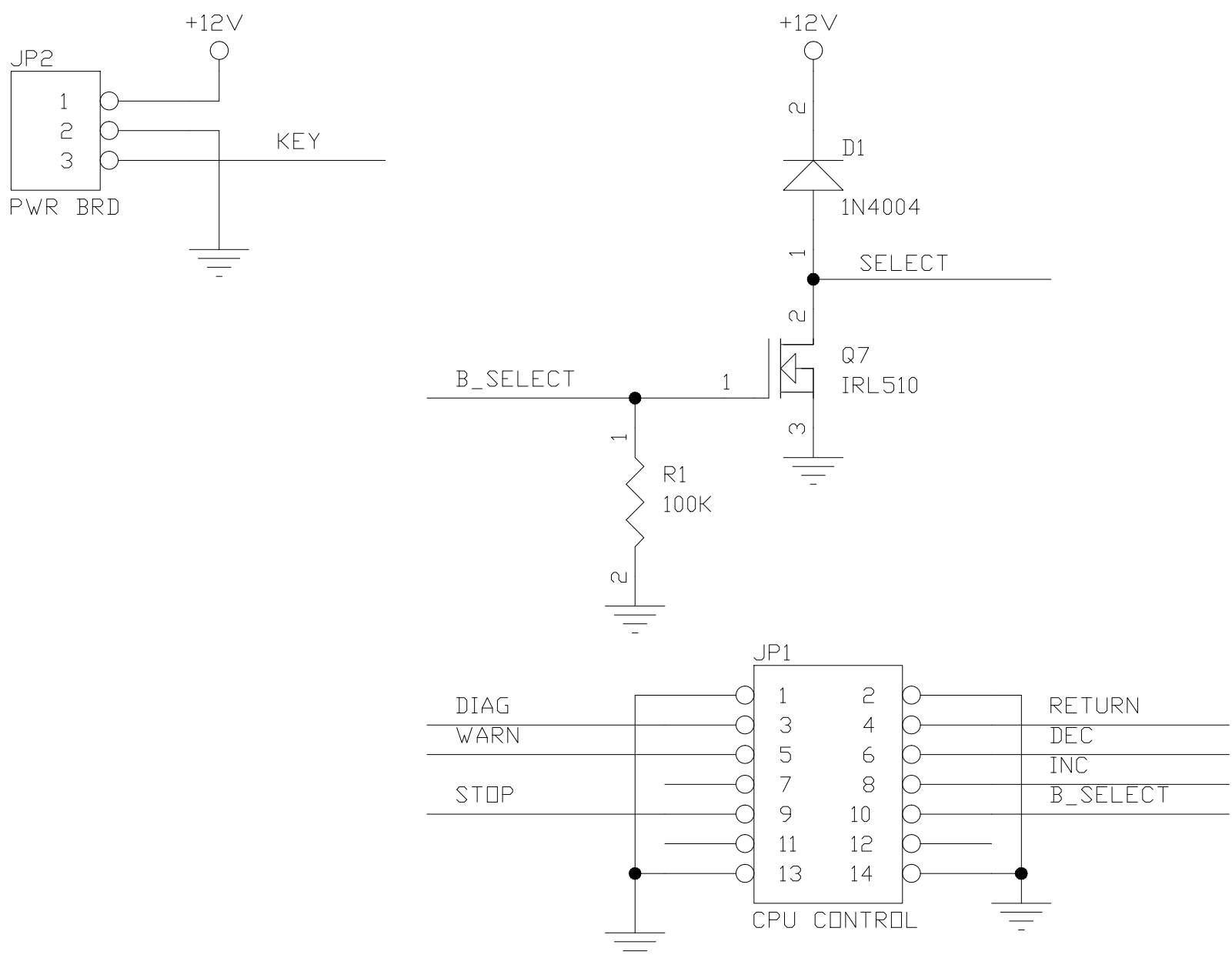
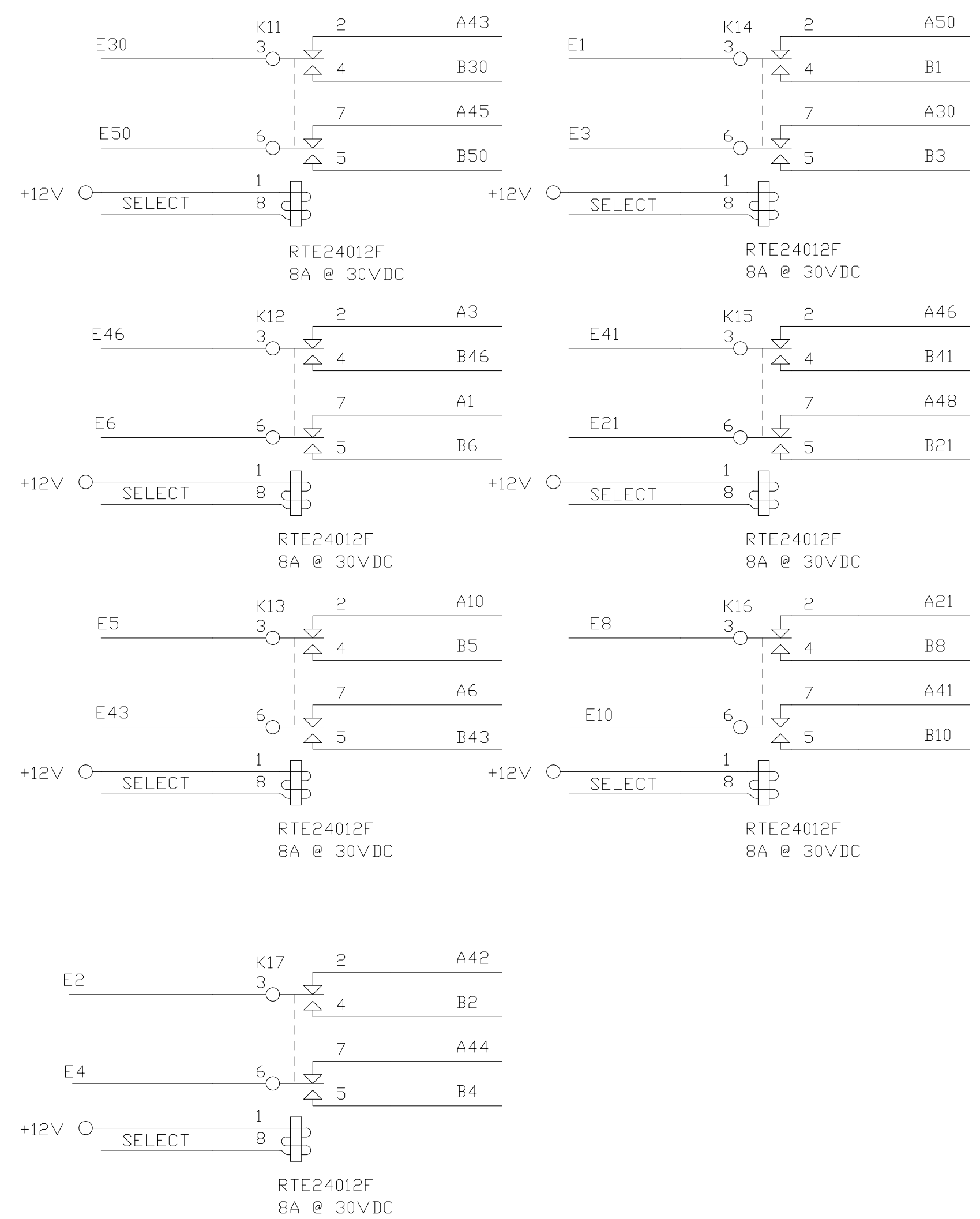
DRAWN BY: KAK
AUTO CAD

DATE: 1JUN2016
 INIT ECO: 2016-413

SHEET 10F2
 DRAWING NO: A042G984

REV	ENF	DESCRIPTION OF REVISION	BY	DATE

J1
1
2
3
4
5
6
7
8
9
10
11
12
13
14
15
16
17
18
19
20
21
22
23
24
25
26
27
28
29
30
31
32
33
34
35
36
37
38
39
40
41
42
43
44
45
46
47
48
49
50
ENGINE



J2
A1 1
A2 2
A3 3
KEYSWITCH (A4) 4
J1939 SHLD (A5) 5
A6 6
A7 7
A8 8
A9 9
A10 10
A11 11
A12 12
A13 13
J1939+ (A14) 14
A15 15
A16 16
A17 17
A18 18
A19 19
A20 20
A21 21
DECREMENT (A22) 22
INCREMENT (A23) 23
SWITCH RET (A24) 24
J1939- (A25) 25
A26 26
A27 27
A28 28
A29 29
A30 30
A31 31
A32 32
A33 33
A34 34
A35 35
A36 36
A37 37
A38 38
A39 39
A40 40
A41 41
A42 42
A43 43
A44 44
A45 45
A46 46
A47 47
A48 48
A49 49
A50 50
ECM A

J3
B1 1
B2 2
B3 3
B4 4
B5 5
B6 6
B7 7
B8 8
B9 9
B10 10
B11 11
B12 12
B13 13
B14 14
B15 15
B16 16
B17 17
B18 18
B19 19
B20 20
B21 21
B22 22
B23 23
B24 24
B25 25
B26 26
B27 27
B28 28
B29 29
B30 30
B31 31
B32 32
B33 33
B34 34
B35 35
B36 36
B37 37
B38 38
B39 39
B40 40
B41 41
B42 42
B43 43
B44 44
B45 45
B46 46
B47 47
B48 48
B49 49
B50 50
ECM B



This document contains confidential and trade secret information, is the property of Cummins Fire Power LLC and is given to the receiver in confidence. The receiver, by receiving and retaining of the document accepts the document in confidence and agrees that, except as authorized in writing by Cummins Fire Power, it will (1) not use the document or any copy thereof or the confidential or trade secret information therein, (2) not copy the document, (3) not disclose to others either the document or the confidential or trade secret information therein, and (4) upon completion of the need to retain the document, or upon demand, return the document, all copies thereof, and all material copied therefrom. COPYRIGHT Cummins Fire Power LLC

Cummins Fire Power
CUMMINS FIRE POWER LLC
CORPORATE OFFICE
1600 BUERKLE ROAD
WHITE BEAR LAKE, MN
WWW.CUMMINSFIREPOWER.COM

CUSTOM DESIGN AND
UPFIT CENTER
875 LAWRENCE DRIVE
DEPERE, WISCONSIN

SCHEMATIC, ECM SWITCH
CFP30E FIRE PUMP DRIVER

UNLESS OTHERWISE SPECIFIED ALL DIMENSION TOLERANCES ARE:
ANGULAR DIMENSIONS ± 1°
THIRD ANGLE PROJECTION

IMPERIAL UNITS X = ± 0.015 XX = ± 0.005	METRIC UNITS X = ± 0.4 XX = ± 0.2
FPM TOLERANCES XX = ± 0.015	FPM TOLERANCES XX = ± 0.4
FIM TOLERANCES XXX = ± 0.010	FIM TOLERANCES XX = ± 0.8

DWG UNITS: INCH/LB/S
SCALE: EST WEIGHT:
DRAWN BY: KAK
AUTO CAD
SHEET 20F2
DATE: 1JUN2016
INT ECO: 2016-413
DRAWING NO: A042G984

REV	ENF	DESCRIPTION OF REVISION	BY	DATE