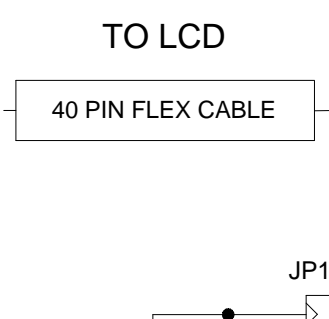
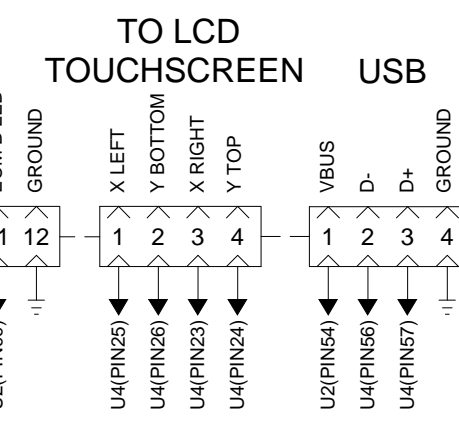
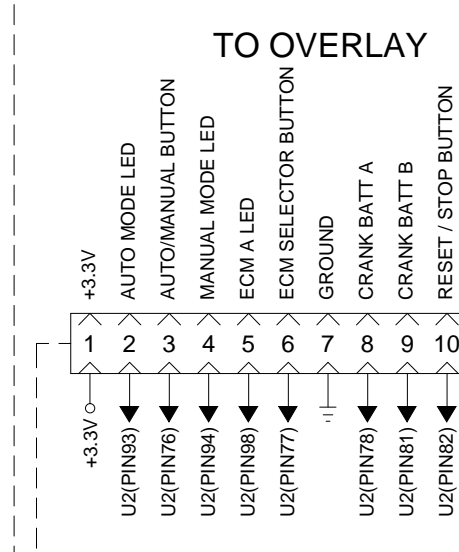
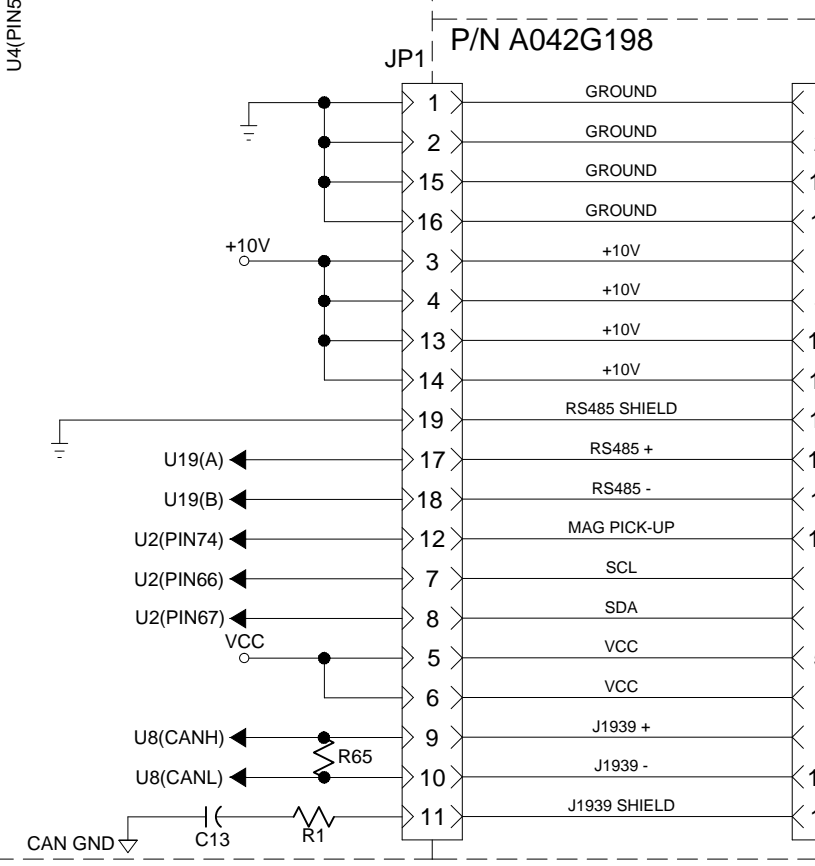


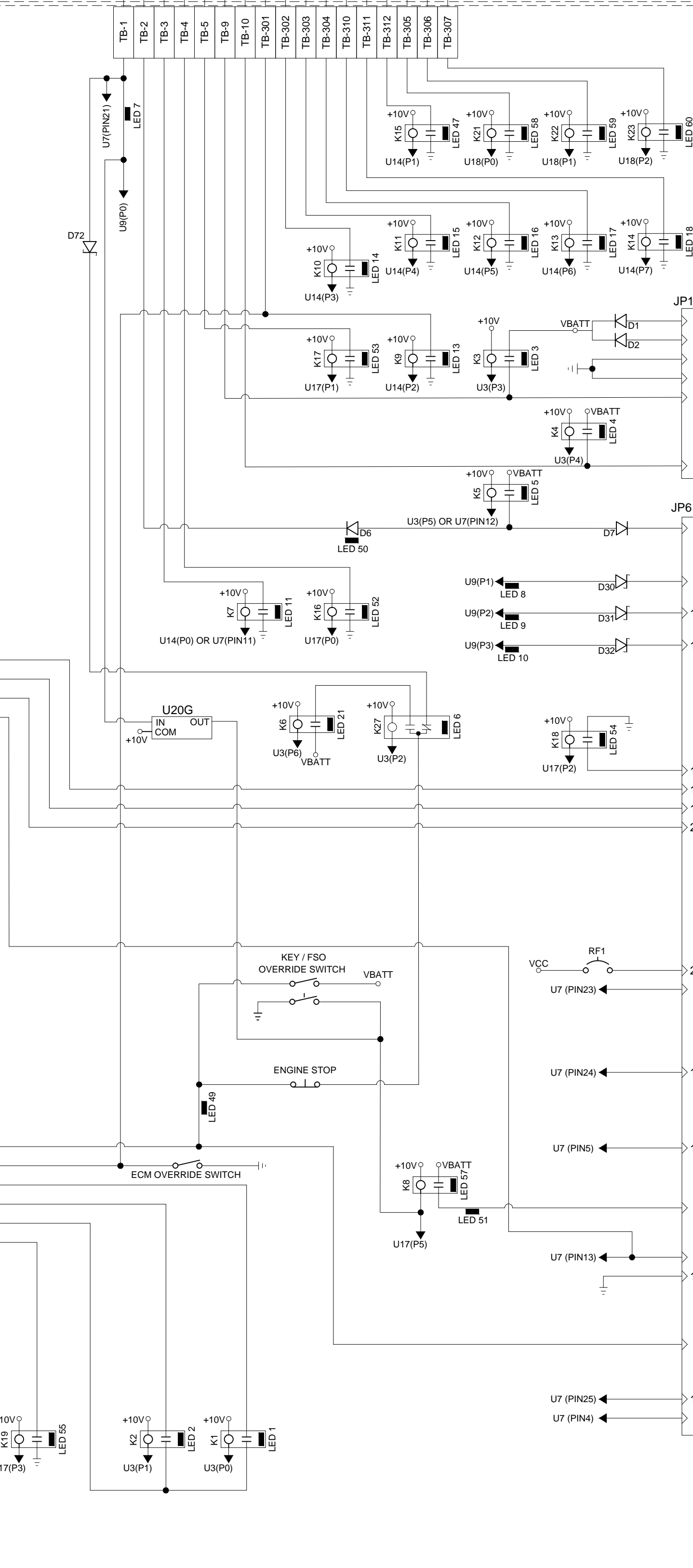
FPDP GEN II
CS P/N A042G184
SS P/N A042G186



P/N A042G195
DISPLAY BOARD

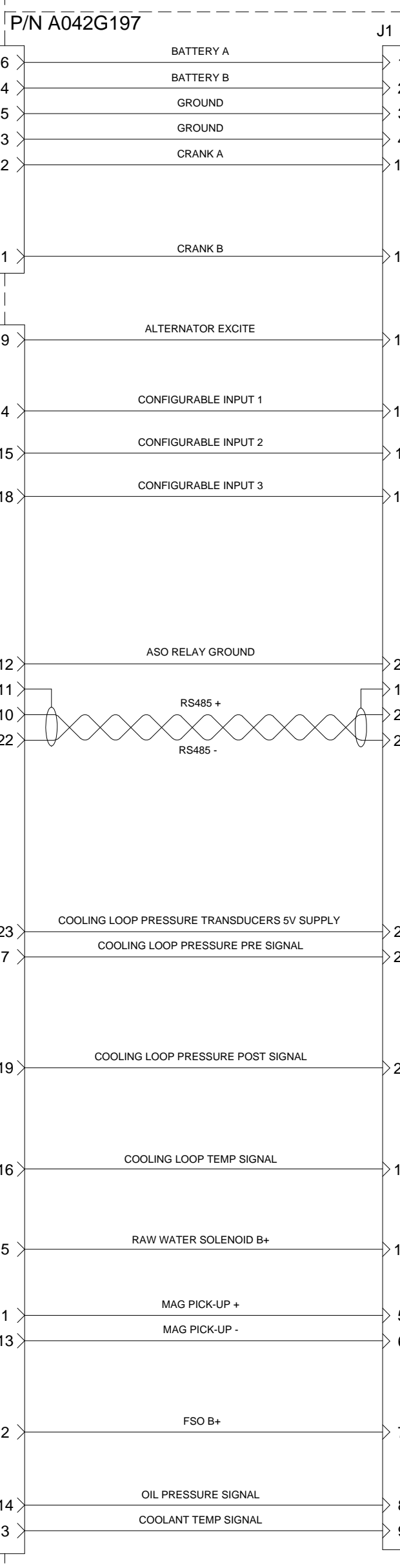


P/N A042G196
POWER BOARD

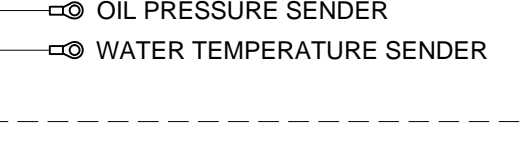
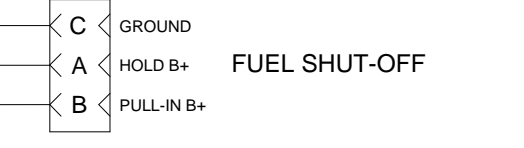
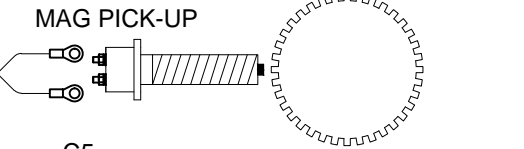
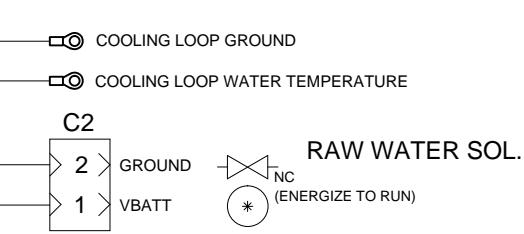
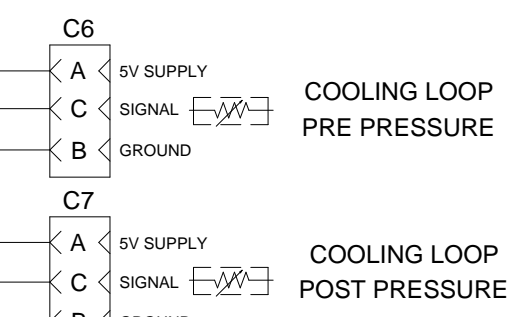
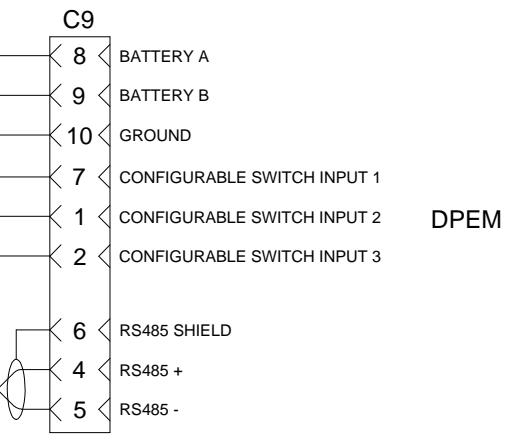
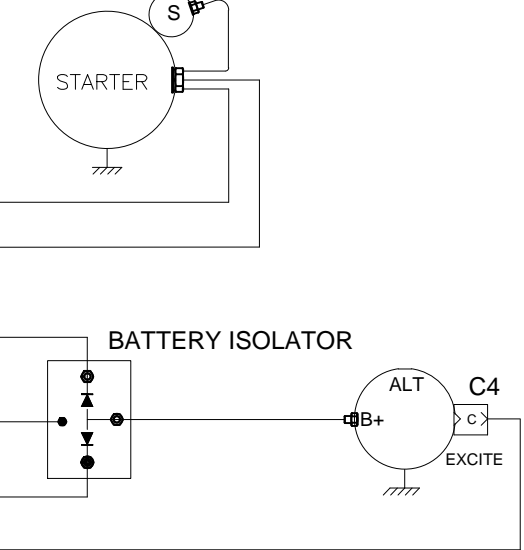
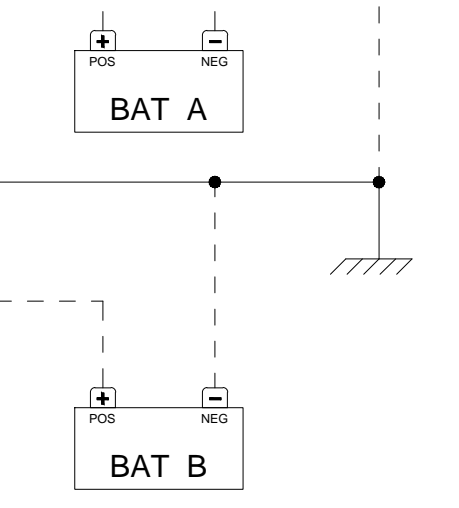


P/N A042C868

P/N A042H306



NOTE SEE SHEET 6 FOR BETTER VIEW OF POWER CIRCUITS



This document contains confidential and trade secret information, is the property of Cummins NPower LLC and is given to the receiver in confidence. The receiver is prohibited from disclosing this information to any third party without the prior written consent of Cummins NPower LLC. If you are not the intended recipient, you should not disseminate, distribute or copy this document. If you have received this document by mistake, please notify the sender immediately by e-mail at power@cummins.com. The document is valid only for the specific project and equipment it describes. All other information is for informational purposes only. © 2016 Cummins NPower LLC.

Cummins NPower
CORPORATE OFFICE
1600 BUEKLE ROAD
WHITE SEAR LAKE, IN
WWW.CUMMINSPOWER.COM

CUSTOM DESIGN AND
LIFT CENTER
875 LAWRENCE DRIVE
DEPOE, WISCONSIN

SCHEMATICS, OVERALL, CFP5.9
FPDP GEN II

UNLESS OTHERWISE SPECIFIED ALL DIMENSION TOLERANCES ARE:
ANGULAR DIMENSIONS ± 1°
THIRD ANGLE PROJECTION

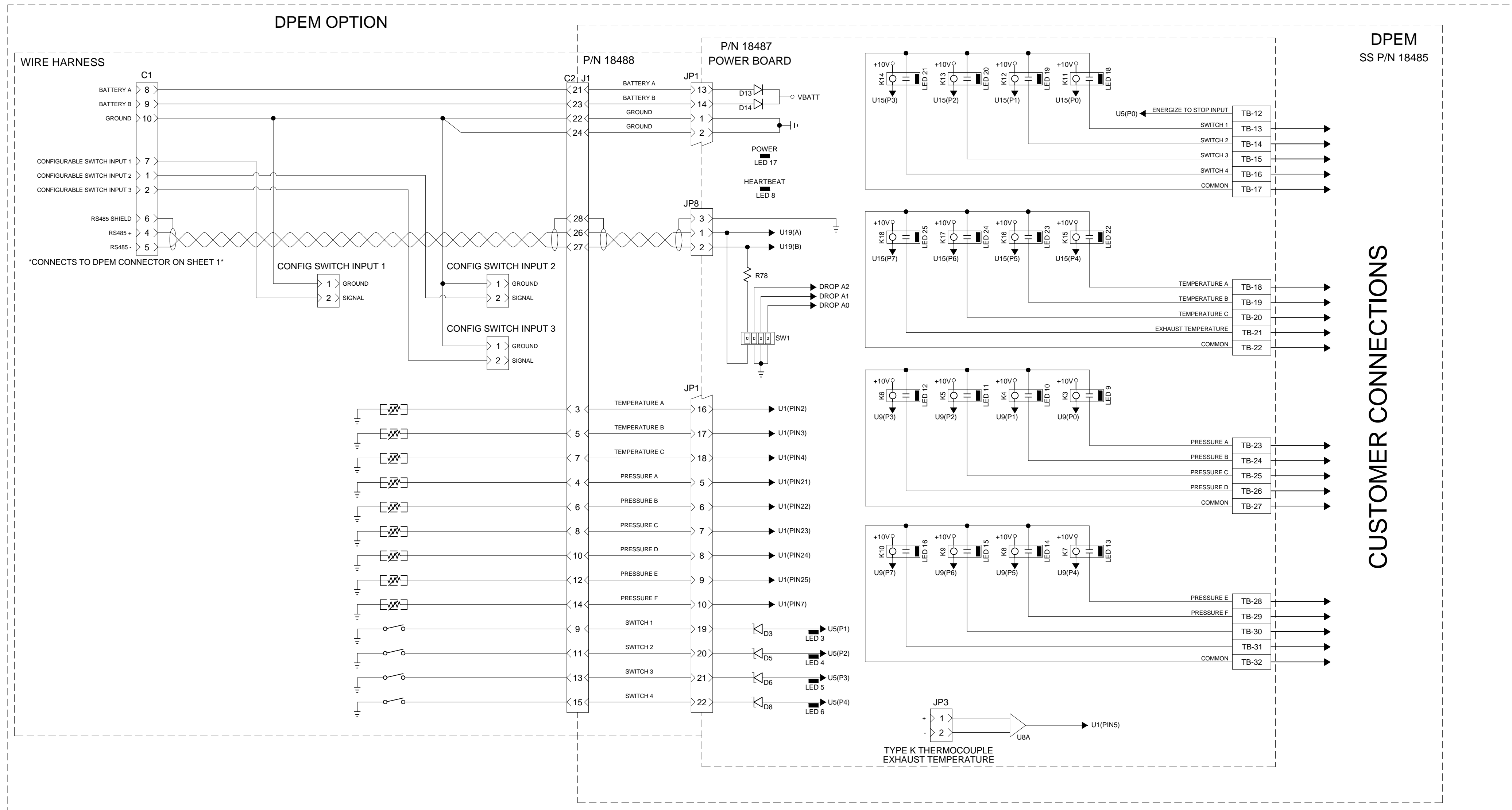
IMPERIAL UNITS
DWG UNITS: INCH/LB/S
SCALE: 1:1

METRIC UNITS
DATE: 22 NOV 2016
INIT ECO: 2016-694

DRAWN BY: KAK
AUTO CAD

SHEET 1 OF 3 DRAWING NO: A042J119

| REV | ECO | DESCRIPTION OF REVISION | BY | DATE |
|-----|-----|-------------------------|----|------|
| | | | | |



This document contains confidential and trade secret information, is the property of Cummins NPower LLC and is given to the receiver in confidence. The receiver is prohibited from disclosing this information to any third party without the prior written consent of Cummins NPower LLC. If you are not the intended recipient, you should not disseminate, distribute or take any action in reliance on the information herein. If you have received this document by mistake, please notify the sender immediately by e-mail at custserv@cumminsnpower.com. This document is not intended to constitute an offer, recommendation, or any other financial product or service. It is for informational purposes only. © 2016 Cummins NPower LLC.

UNLESS OTHERWISE SPECIFIED ALL DIMENSION TOLERANCES ARE:

| ANGULAR DIMENSIONS ± 1° | IMPERIAL UNITS | METRIC UNITS |
|-------------------------|----------------|--------------|
| 0.005 | 0.005 | 0.15 |
| 0.010 | 0.010 | 0.25 |
| 0.015 | 0.015 | 0.38 |
| 0.020 | 0.020 | 0.51 |
| 0.030 | 0.030 | 0.76 |
| 0.040 | 0.040 | 1.02 |
| 0.050 | 0.050 | 1.27 |
| 0.060 | 0.060 | 1.52 |
| 0.070 | 0.070 | 1.78 |
| 0.080 | 0.080 | 2.03 |
| 0.090 | 0.090 | 2.29 |
| 0.100 | 0.100 | 2.54 |

THIRD ANGLE PROJECTION

SCHEMATICS, OVERALL, CFP5.9
FPDP GEN II

NPower CUMMINS NPOWER LLC
CORPORATE OFFICE
1600 BUECKLE ROAD
WHITE SEAR LAKE, ILL.
WWW.CUMMINSNPOWER.COM

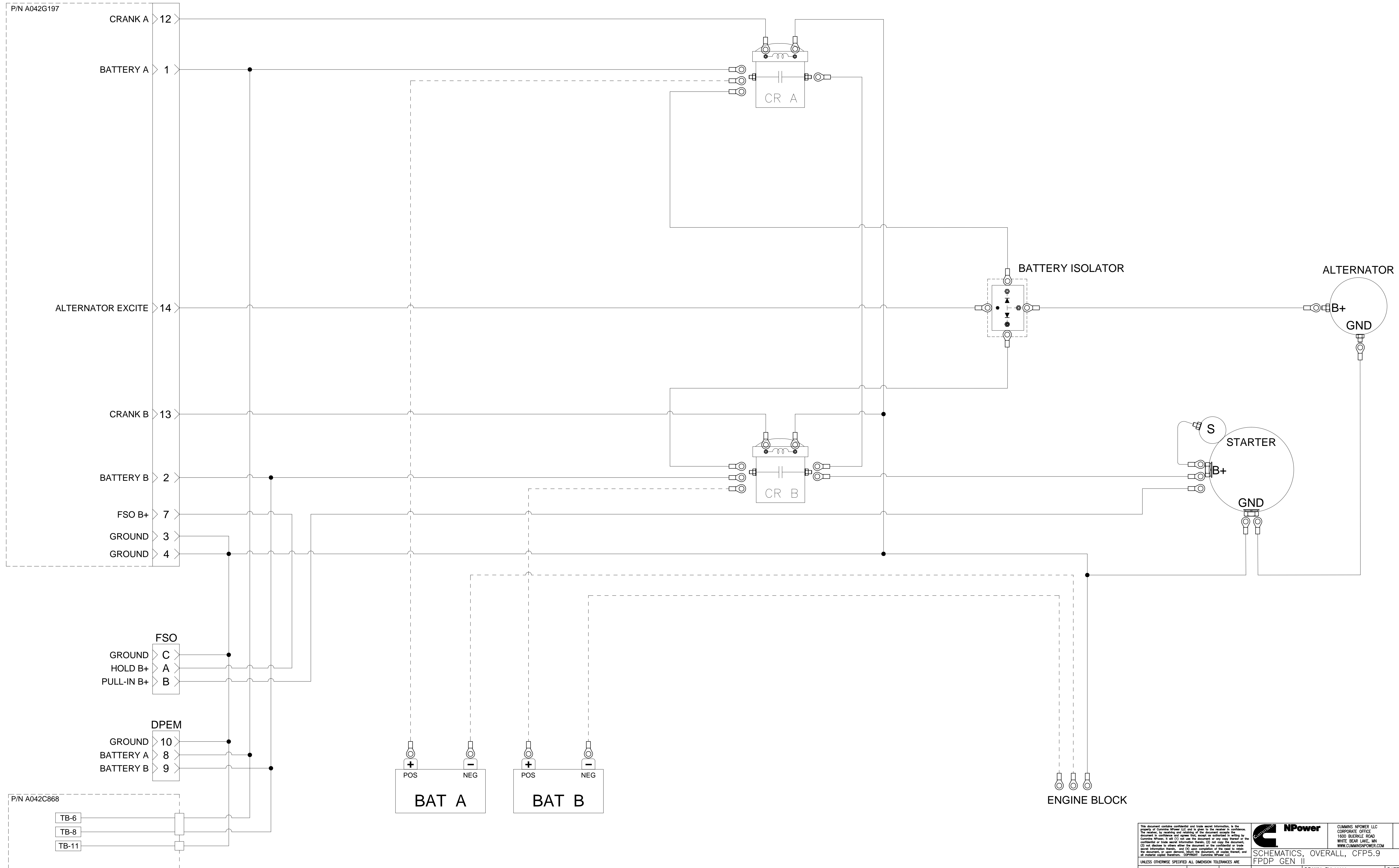
CUSTOM DESIGN AND
LIFT CENTER
875 LAWRENCE DRIVE
DEPORE, WISCONSIN

DWG UNITS: INCH/LB/S
SCALE: EST WEIGHT:

DRAWN BY: KAK
DATE: 22 NOV 2016
INIT ECO: 2016-694

SHEET 2 OF 3
DRAWING NO: A042J119

| REV | ECO | DESCRIPTION OF REVISION | BY | DATE |
|-----|-----|-------------------------|----|------|
| | | | | |



This document contains confidential and trade secret information, is the property of Cummins NPower, LLC and is given in confidence to the recipient. It is not to be used, copied, or disseminated in any way without the express written consent of Cummins NPower, LLC. If you are not an intended recipient, you should not disseminate, distribute, or use this information. If you have received this document in error, please notify the sender immediately by e-mail at engineering@cumminsnpower.com. Cummins NPower, LLC does not warrant the accuracy or completeness of the information contained herein. Cummins NPower, LLC is not responsible for any errors or omissions in this document. © 2016 Cummins NPower, LLC. All rights reserved.

NPower
 CUMMINS NPOWER LLC
 CORPORATE OFFICE
 1500 BUEKLE ROAD
 WHITE BEAR LAKE, MN
 WWW.CUMMINSNPOWER.COM

CUSTOM DESIGN AND
 UPTIT CENTER
 875 LAWRENCE DRIVE
 DEPERE, WISCONSIN

SCHMATICS, OVERALL, CFP5.9
 FPDP GEN II

DWG UNITS: INCH/LB/S
 SCALE: 1:1
 EST WEIGHT:

DRAWN BY: KAK
AUTO CAD
 SHEET 3 OF 3
 DATE: 22 NOV 2016
 INIT ECO: 2016-694
 DRAWING NO: A042J119

| REV | ECO | DESCRIPTION OF REVISION | BY | DATE |
|-----|-----|-------------------------|----|------|
| | | | | |