

This document contains confidential and trade secret information, is the property of Cummins NPower LLC and is given to the receiver in confidence. The receiver, by accepting and installing of this document, accepts liability to Cummins NPower, it will (1) not use the document or any info thereof of the confidential or trade secret information therein, (2) not copy the document, (3) not disclose to others either the document or the confidential or trade secret information therein, and (4) upon request of the sender to return the document, or any electronic media the document is stored on, and all material thereon. COPYRIGHT © Cummins NPower LLC.

UNLESS OTHERWISE SPECIFIED ALL DIMENSION TOLERANCES ARE:

ANGULAR DIMENSIONS ± 1°	IMPERIAL UNITS	METRIC UNITS
0.0005	0.0005	0.0127
0.0010	0.0010	0.0254
0.0015	0.0015	0.0381
0.0020	0.0020	0.0508
0.0030	0.0030	0.0762
0.0040	0.0040	0.1016
0.0050	0.0050	0.1270
0.0060	0.0060	0.1524
0.0070	0.0070	0.1778
0.0080	0.0080	0.2032
0.0090	0.0090	0.2286
0.0100	0.0100	0.2540

THIRD ANGLE PROJECTION

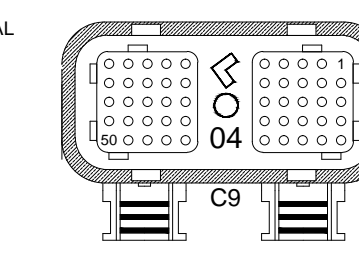
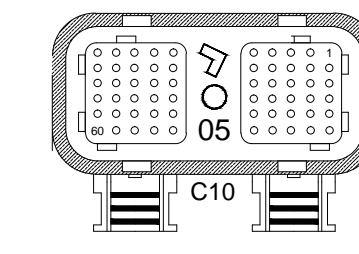
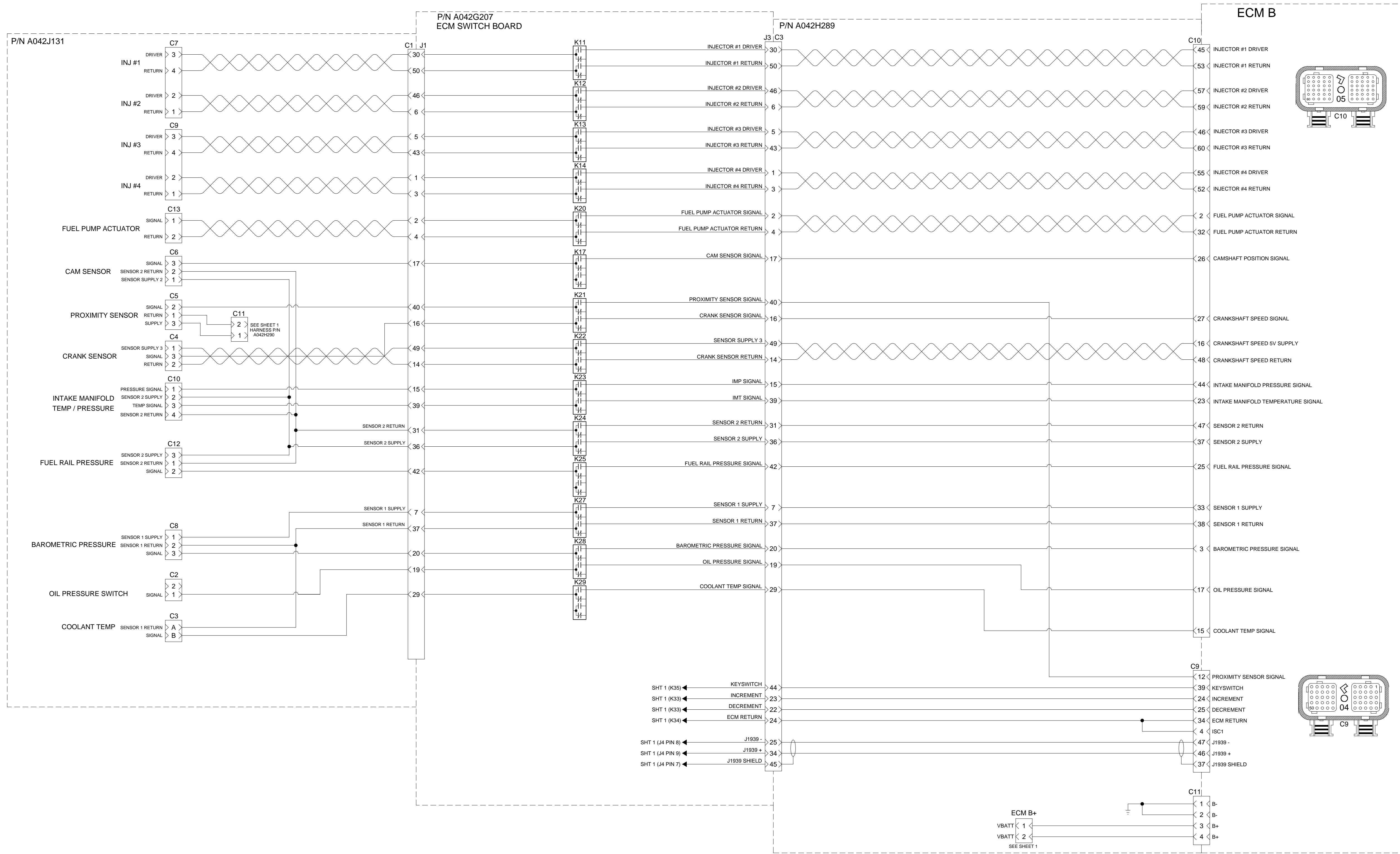
SCHEMATICS, OVERALL, CFP5E
FPDP GEN II

DWG UNITS: INCH/LB/S
SCALE: 1:1
EST WEIGHT:

DRAWN BY: KAK
DATE: 22 NOV 2016
INIT ECO: 2016-694

SHEET 2 OF 6
DRAWING NO: A042J121

REV	ECO	DESCRIPTION OF REVISION	BY	DATE



This document contains confidential and trade secret information, is the property of Cummins NPower LLC and is given to the receiver in confidence. The receiver, by accepting and installing of this document, accepts liability to Cummins NPower, it will (1) not use the document or any info thereof of the confidential or trade secret information hereon, (2) not copy the document, (3) not disclose to others either the document or the confidential or trade secret information hereon, and (4) upon request of the user to return the document, or any electronic, shall be the recipient of return thereof, and all material herein shall remain the property of Cummins NPower LLC.

Cummins NPower
 CUMMINS NPOWER LLC
 CORPORATE OFFICE
 1600 BUEKLE ROAD
 WHITE SEAR LAKE, IN
 WWW.CUMMINSPOWER.COM

CUSTOM DESIGN AND
 UPLIFT CENTER
 875 LAWRENCE DRIVE
 DEPOE, WISCONSIN

SHEMATICS, OVERALL, CFP5E
FPDP GEN II

UNLESS OTHERWISE SPECIFIED ALL DIMENSION TOLERANCES ARE:

ANGULAR DIMENSIONS ± 1°	IMPERIAL UNITS	METRIC UNITS
0.005	0.005	0.125
0.010	0.010	0.250
0.015	0.015	0.375
0.020	0.020	0.500
0.030	0.030	0.750
0.040	0.040	1.000
0.050	0.050	1.250
0.060	0.060	1.500
0.070	0.070	1.750
0.080	0.080	2.000
0.090	0.090	2.250
0.100	0.100	2.500

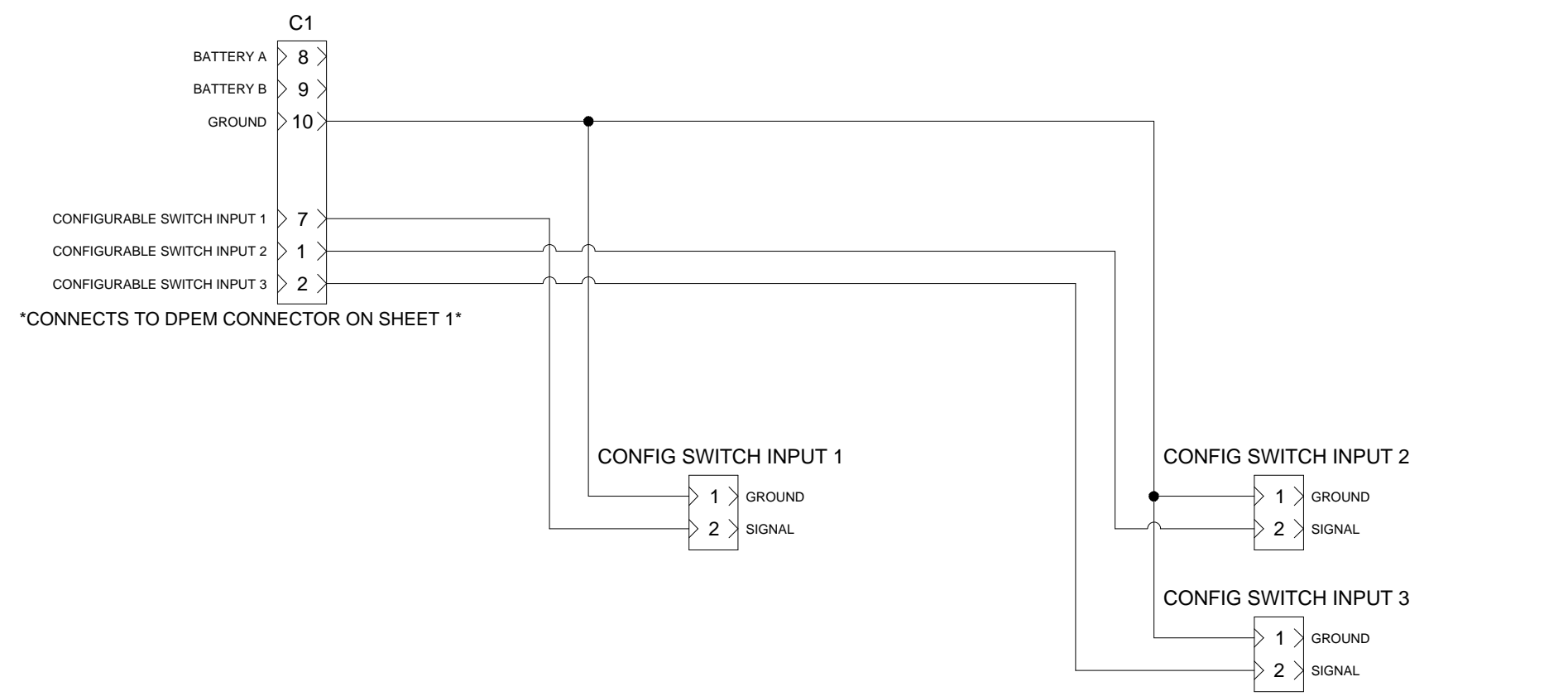
THIRD ANGLE PROJECTION

DWG UNITS: INCH/LB/S
 SCALE: EST WEIGHT:

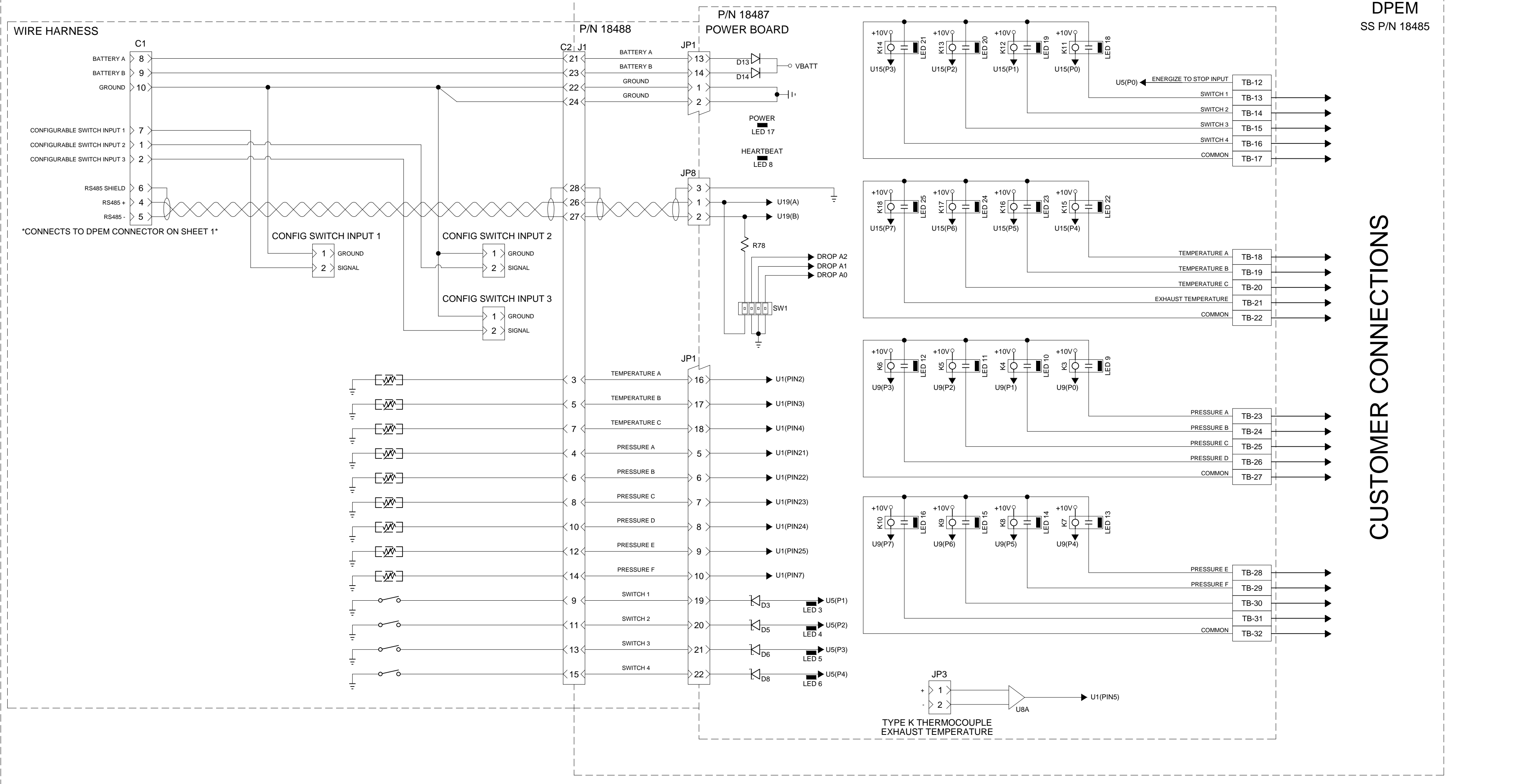
DRAWN BY: KAK
 SHEET 3 OF 6
 DATE: 22 NOV 2016
 INIT ECO: 2016-694
 DRAWING NO: A042J121

REV	ECO	DESCRIPTION OF REVISION	BY	DATE

NO ASO OPTION WITH UP TO 3 SWITCHED INPUTS



DPEM OPTION WITH NO ASO

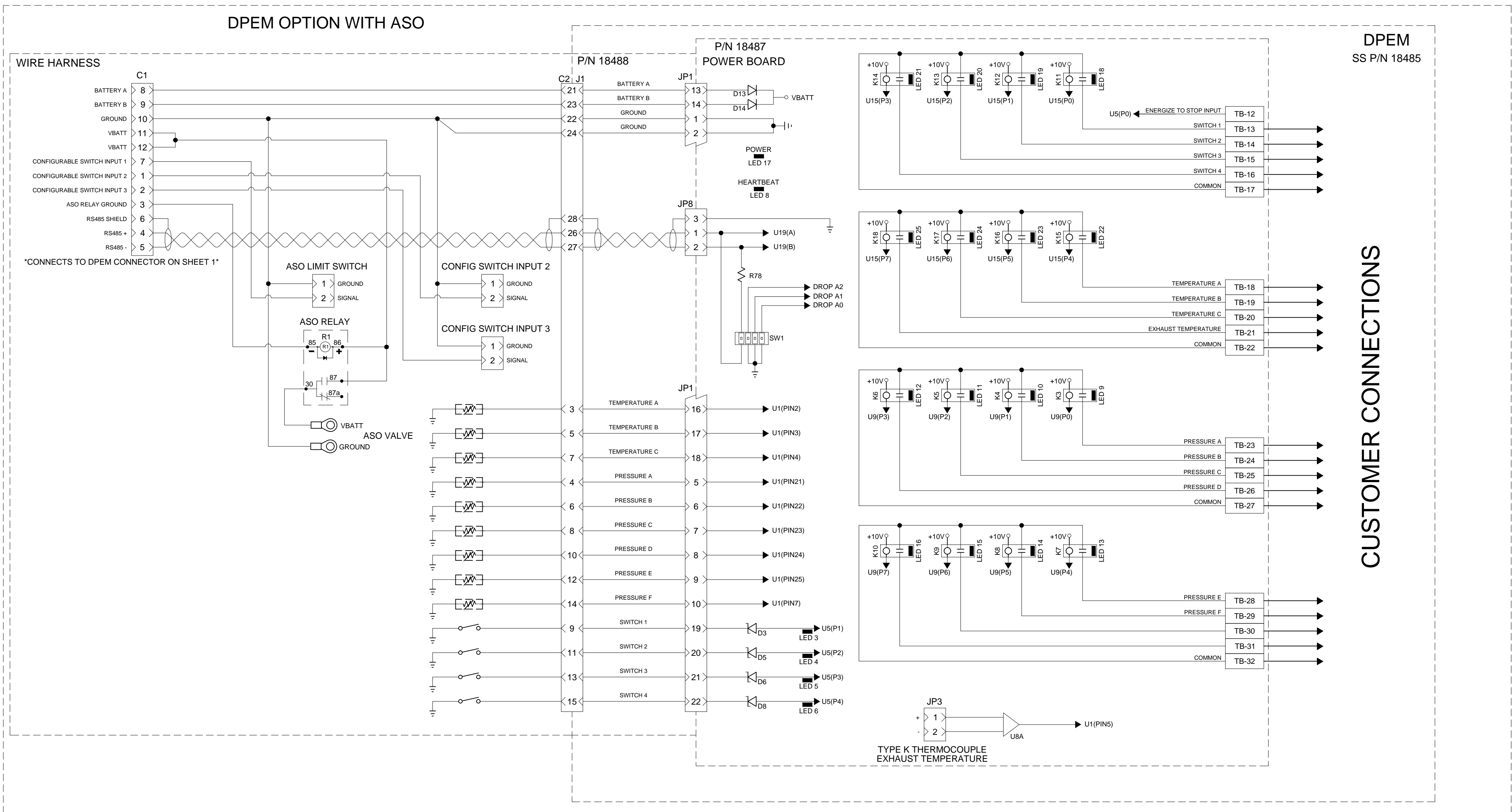
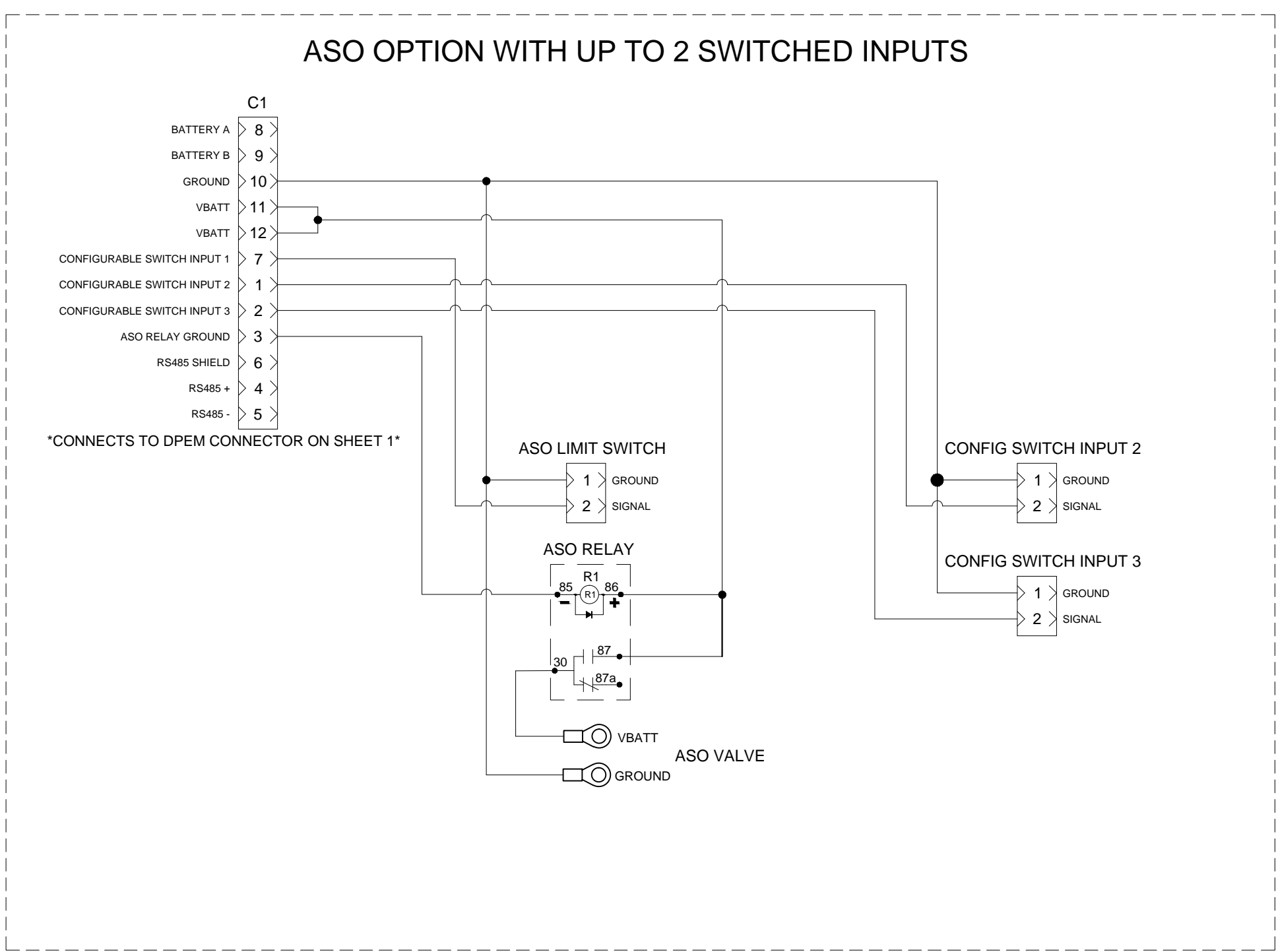


CUSTOMER CONNECTIONS

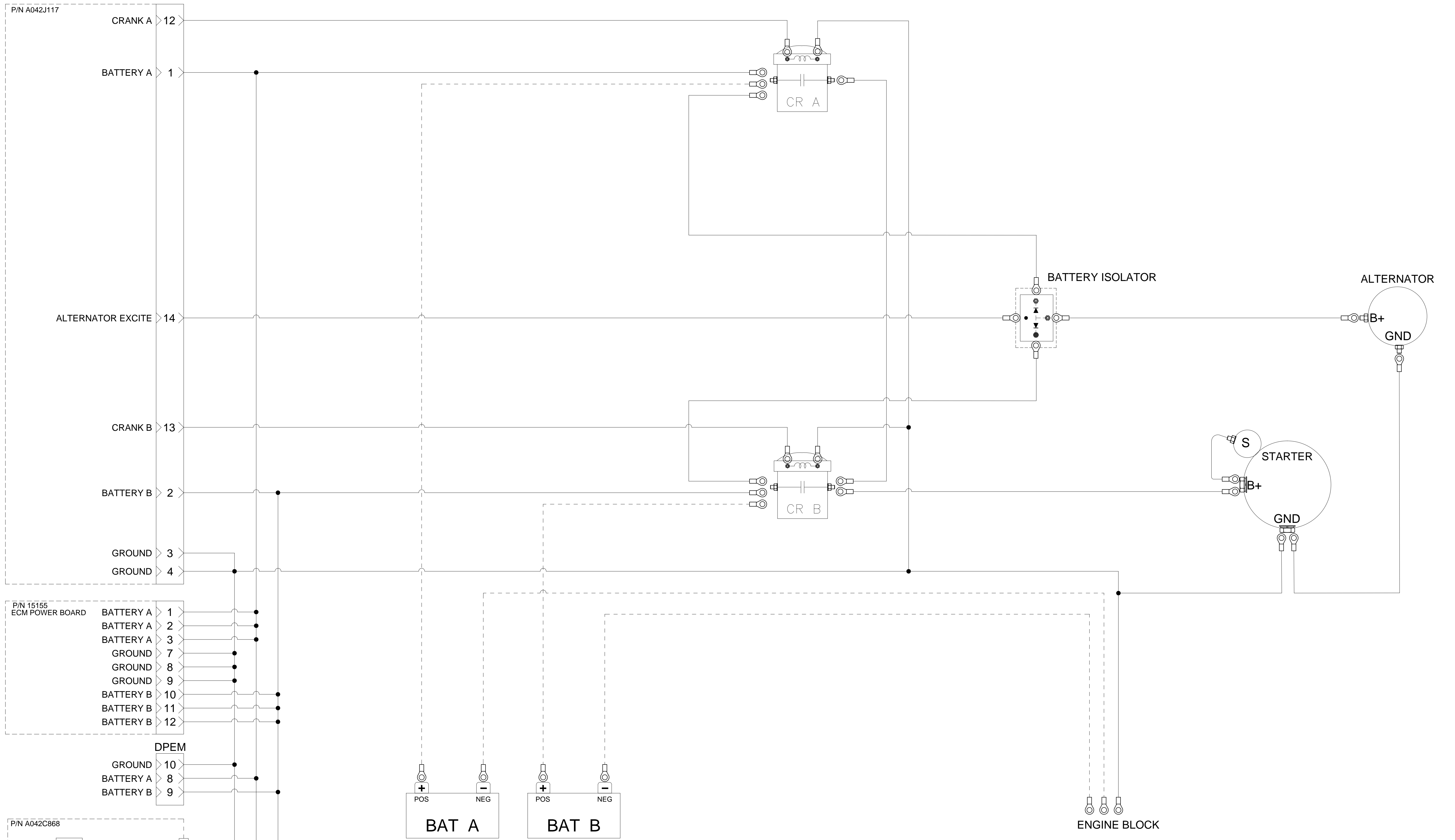
<small>This document contains confidential and trade secret information in the property of Cummins InPower LLC and is given to the receiver in confidence. The receiver is prohibited from disclosing this information to any third party without the prior written consent of Cummins InPower LLC. If you are not an intended recipient, you should not disseminate, distribute or take any action in reliance on the information herein. If you have received this document in error, please notify the sender immediately by e-mail at inpower@cummins.com. This document is not intended to constitute an offer, solicitation, or any other financial instrument. All rights reserved. © 2016 Cummins InPower LLC.</small>			CUMMINS INPOWER LLC CORPORATE OFFICE 1600 BUERKLE ROAD WHITE SEAR LAKE, IN WWW.CUMMINSINPOWER.COM	CUSTOM DESIGN AND LIFT CENTER 875 LAWRENCE DRIVE DEPOE, WISCONSIN	
SCHEMATICS, OVERALL, CFP5E FPDP GEN II					
UNLESS OTHERWISE SPECIFIED ALL DIMENSION TOLERANCES ARE: ANGULAR DIMENSIONS ± 1° THIRD ANGLE PROJECTION	IMPERIAL UNITS INCH/LB/S	METRIC UNITS MM/KG	DWG UNITS: INCH/LB/S SCALE: EST WEIGHT:	DRAWN BY: KAK AUTO CAD SHEET 4 OF 6 DRAWING NO: A042J121	DATE: 22 NOV 2016 INIT ECO: 2016-694

REV	ECO	DESCRIPTION OF REVISION	BY	DATE

IF AIR SHUT-OFF (ASO) IS SELECTED, THE UL/FM LISTING IS REMOVED AS THIS OPTION IS NOT ALLOWED PER THE STANDARDS.



<small>This document contains confidential and trade secret information in the property of Cummins NPower LLC and is given to the receiver in confidence. The receiver is prohibited from disclosing this information to any third party without the prior written consent of Cummins NPower LLC. If you are not an intended recipient, you should not disseminate, distribute, or copy this document. If you have received this document in error, please notify the sender immediately by email at power@cummins.com. The document is not intended to be used for any purpose other than that for which it was prepared. Cummins NPower LLC is not responsible for any errors or omissions in this document. © 2016 Cummins NPower LLC.</small>			CUMMINS NPOWER LLC CORPORATE OFFICE 1600 BUENAVISTA ROAD WHITE SEAR LAKE, IN WWW.CUMMINSNPOWER.COM	CUSTOM DESIGN AND UPLIFT CENTER 875 LAWRENCE DRIVE DEPOE, WISCONSIN
SCHEMATICS, OVERALL, CFP5E FPDP GEN II				
UNLESS OTHERWISE SPECIFIED ALL DIMENSION TOLERANCES ARE: ANGULAR DIMENSIONS ± 1° THIRD ANGLE PROJECTION	IMPERIAL UNITS INCH/LB/S	METRIC UNITS MM/KG/S	DWG UNITS: INCH/LB/S SCALE:	DRAWN BY: KAK SHEET 5 OF 6 DATE: 22 NOV 2016 INIT ECO: 2016-694
REV ECO DESCRIPTION OF REVISION BY DATE	EST WEIGHT: SHEET 5 OF 6 DRAWING NO: A042J121			



This document contains confidential and trade secret information, is the property of Cummins NPower LLC and is given to the receiver in confidence. The receiver, by accepting and installing of this document, accepts liability to Cummins NPower, it will (1) not use the document or any info thereof or the confidential or trade secret information therein, (2) not copy the document, the document, or any electronic, hard or software, or other means, and (3) not disclose the document, or any electronic, hard or software, or other means, and all material herein, without the prior written consent of Cummins NPower LLC.

UNLESS OTHERWISE SPECIFIED ALL DIMENSION TOLERANCES ARE:

ANGULAR DIMENSIONS ± 1°	IMPERIAL UNITS	METRIC UNITS
0.0005	0.0005	0.0127
0.0010	0.0010	0.0254
0.0020	0.0020	0.0508
0.0050	0.0050	0.1270
0.0100	0.0100	0.2540

THIRD ANGLE PROJECTION

SCALE: EST WEIGHT:

Cummins NPower

CUMMINS NPOWER LLC
CORPORATE OFFICE
1600 BUEKLE ROAD
WHITE SEAR LAKE, ILL.
WWW.CUMMINSPOWER.COM

CUSTOM DESIGN AND
UPFIT CENTER
875 LAWRENCE DRIVE
DEPOE, WISCONSIN

SCHMATIC, OVERALL, CFP5E
FPDP GEN II

DRAWN BY: KAK DATE: 22 NOV 2016
INIT ECO: 2016-694

SHEET 6 OF 6 DRAWING NO: A042J121

REV	ECO	DESCRIPTION OF REVISION	BY	DATE