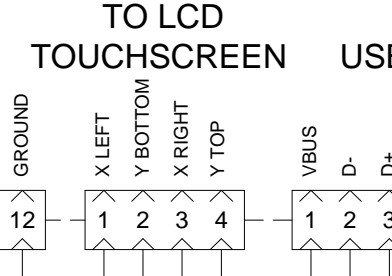
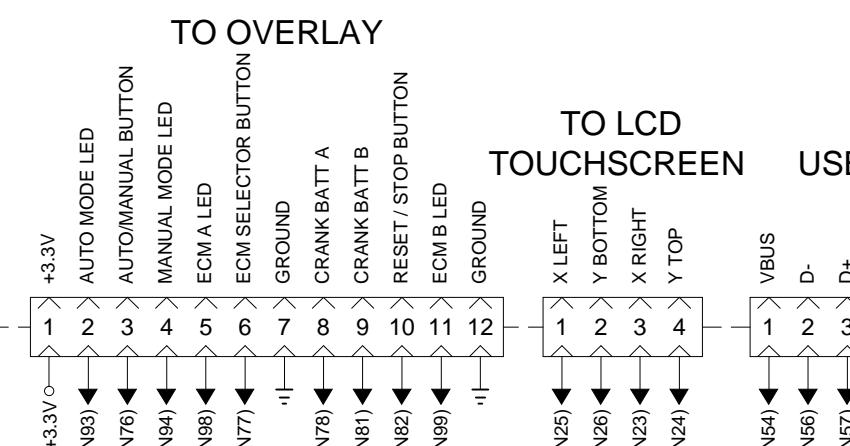


NOTE SEE SHEET 6 FOR BETTER VIEW OF POWER CIRCUITS

FDP GEN II
CS P/N A042G185
SS P/N A042G187

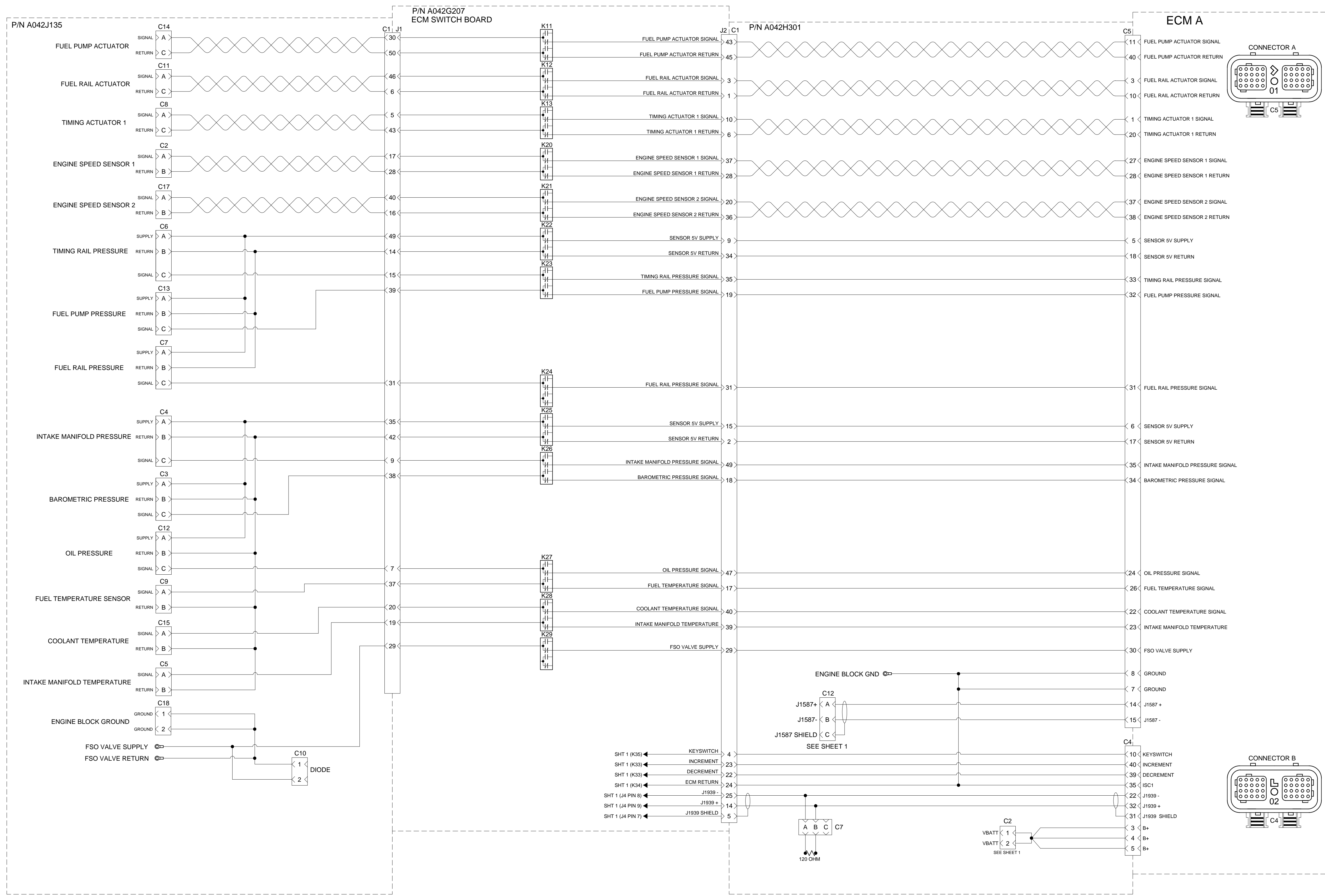


P/N A042G195
DISPLAY BOARD

P/N A042G207
ECM SWITCH BOARD

**SEE SHEETS 2 & 3 FOR REMAINDER
OF ECM SWITCH BOARD SCHEMATIC**

TO ADDITIONAL
SWITCH BOARDS



This document contains confidential and trade secret information, is the property of Cummins NPower LLC and is given to the receiver in confidence. The receiver is prohibited from disclosing this information to any third party without the prior written consent of Cummins NPower LLC. If you are not the intended recipient, you should not disseminate, distribute or take any action in reliance on the information herein. If you have received this document in error, please notify the sender immediately by e-mail at www.cumminsnpower.com. Cummins NPower LLC is not responsible for any actions taken in reliance on the information herein. ©2016 Cummins NPower LLC.

UNLESS OTHERWISE SPECIFIED ALL DIMENSION TOLERANCES ARE:

ANGULAR DIMENSIONS ± 1°	IMPERIAL UNITS	METRIC UNITS
0.0005	0.0005	0.0127
0.0010	0.0010	0.0254
0.0015	0.0015	0.0381
0.0020	0.0020	0.0508
0.0030	0.0030	0.0762
0.0040	0.0040	0.1016
0.0050	0.0050	0.1270
0.0060	0.0060	0.1524
0.0070	0.0070	0.1778
0.0080	0.0080	0.2032
0.0090	0.0090	0.2286
0.0100	0.0100	0.2540

THIRD ANGLE PROJECTION

SCHEMATICS, OVERALL, CFP23E
FPDP GEN II

DWG UNITS: INCH/LB/S
SCALE: EST WEIGHT:

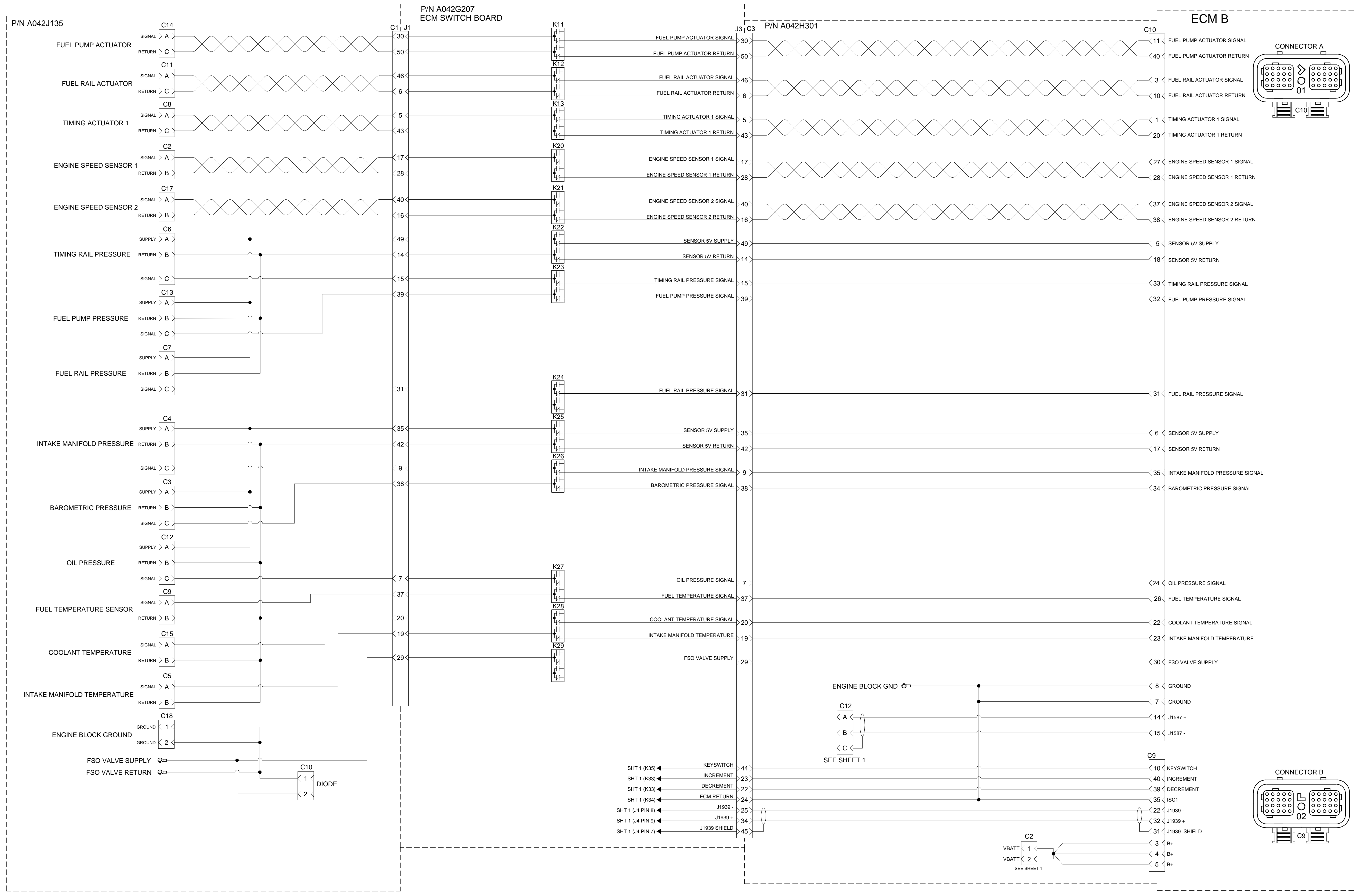
DRAWN BY: KAK
SHEET 2 OF 6
DRAWING NO: A042J126

DATE: 22 NOV 2016
INIT ECO: 2016-694

CUMMINS NPower
CORPORATE OFFICE
1600 BUERKLE ROAD
WHITE SEAR LAKE, ILL.
WWW.CUMMINSPOWER.COM

CUSTOM DESIGN AND
UPFIT CENTER
875 LAWRENCE DRIVE
DEPERE, WISCONSIN

REV	ECO	DESCRIPTION OF REVISION	BY	DATE



This document contains confidential and trade secret information, is the property of Cummins NPower LLC and is given to the receiver in confidence. The receiver, by accepting and installing of this document, accepts liability to Cummins NPower, it will (1) not use the document or any copy thereof of the confidential or trade secret information herein, (2) not copy the document, (3) not disclose to others either the document or the confidential or trade secret information herein, and (4) not reproduce or disseminate the document, or any portion, hereof, in any form, or by any means, and all material herein shall remain the property of Cummins NPower LLC.

Cummins NPower

CUMMINS NPOWER LLC
CORPORATE OFFICE
1600 BUEKLE ROAD
WHITE SEAR LAKE, ILL.
WWW.CUMMINSNPOWER.COM

CUSTOM DESIGN AND
UPFIT CENTER
875 LAWRENCE DRIVE
DEPORE, WISCONSIN

SHEMATICS, OVERALL, CFP23E
FPDP GEN II

UNLESS OTHERWISE SPECIFIED ALL DIMENSION TOLERANCES ARE:

ANGULAR DIMENSIONS ± 1°	IMPERIAL UNITS	METRIC UNITS
0.0005	0.0005	0.0127
0.0010	0.0010	0.0254
0.0015	0.0015	0.0381
0.0020	0.0020	0.0508
0.0025	0.0025	0.0635
0.0030	0.0030	0.0762
0.0035	0.0035	0.0889
0.0040	0.0040	0.1016
0.0045	0.0045	0.1143
0.0050	0.0050	0.1270

THIRD ANGLE PROJECTION

DWG UNITS: INCH/LB/S
SCALE: EST WEIGHT:

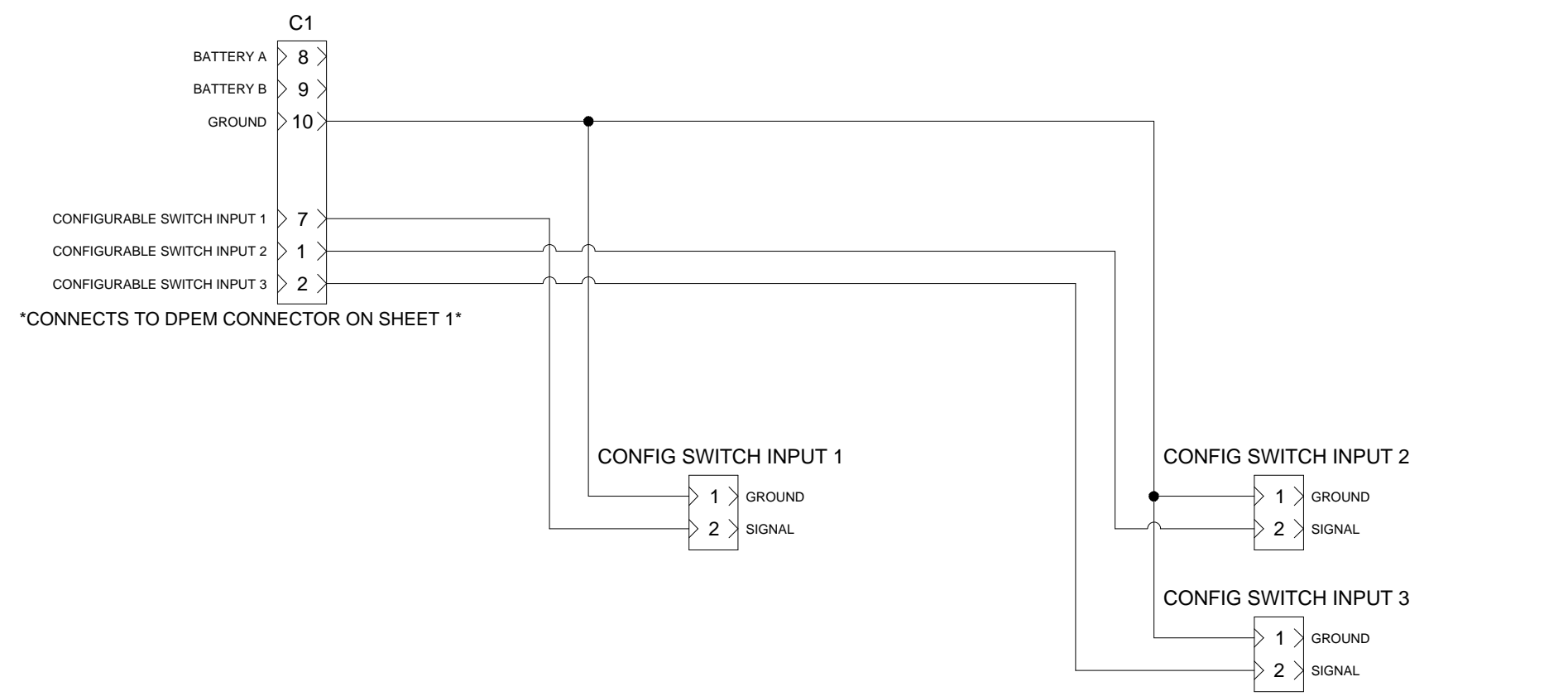
DRAWN BY: KAK
INIT ECO: 2016-694

DATE: 22 NOV 2016

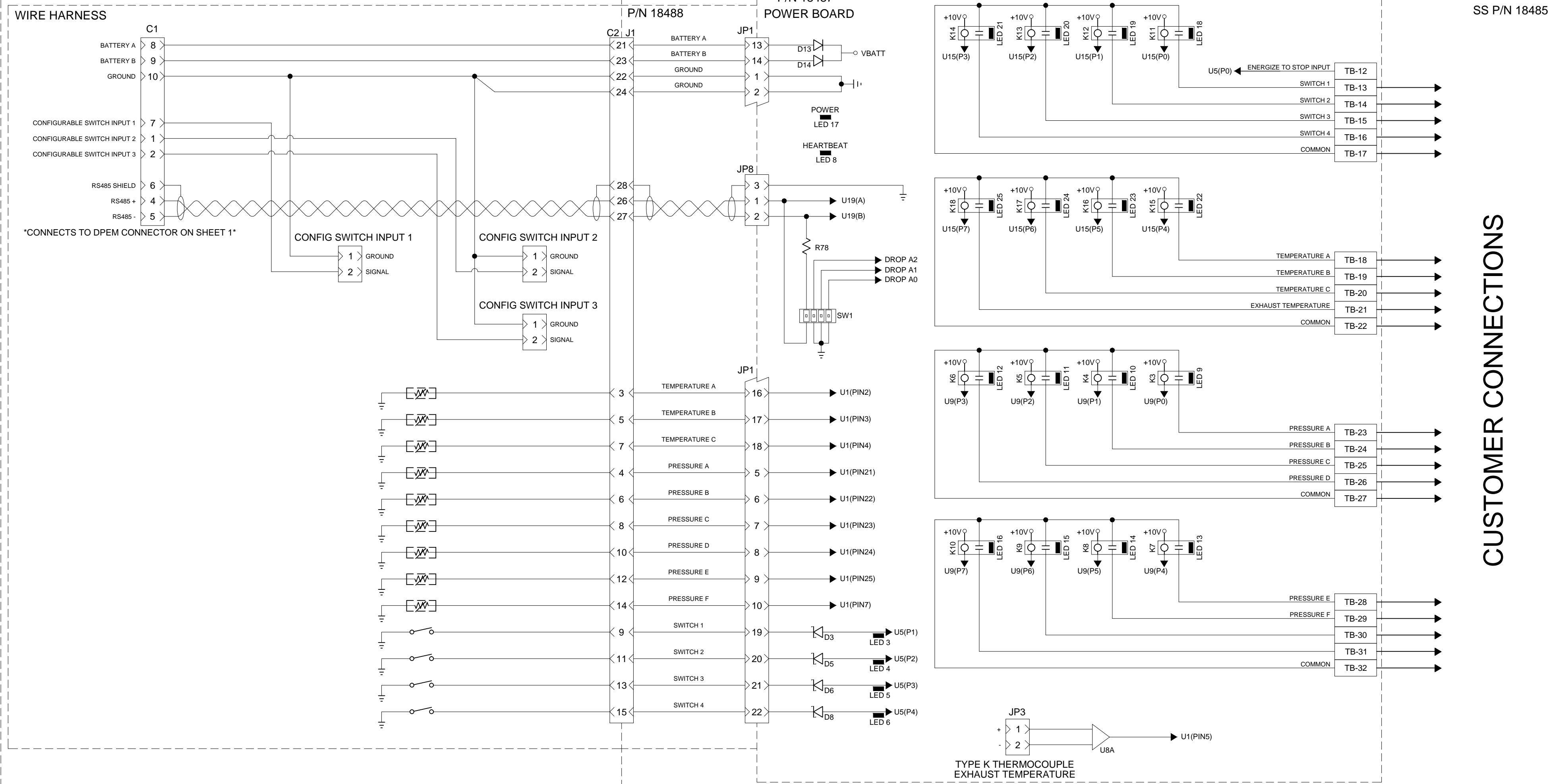
SHEET 3 OF 6 DRAWING NO: A042J126

REV	ECO	DESCRIPTION OF REVISION	BY	DATE

NO ASO OPTION WITH UP TO 3 SWITCHED INPUTS



DPEM OPTION WITH NO ASO



CUSTOMER CONNECTIONS

This document contains confidential and trade secret information in the property of Cummins IPower LLC and is given to the receiver in confidence. The receiver is prohibited from disclosing this information to any third party without the prior written consent of Cummins IPower LLC. If you are not an authorized recipient, you should not disseminate this information. If you are an authorized recipient, you should not disseminate this information to any third party without the prior written consent of Cummins IPower LLC. If you are not an authorized recipient, you should not disseminate this information to any third party without the prior written consent of Cummins IPower LLC.

Cummins IPower
 CUMMINS IPOWER LLC
 CORPORATE OFFICE
 1600 BUERKLE ROAD
 WHITE SEAR LAKE, IN
 WWW.CUMMINSPOWER.COM

CUSTOM DESIGN AND
 UFIT CENTER
 875 LAWRENCE DRIVE
 DEPOE, WISCONSIN

SHEMATIC, OVERALL, CFP23E
 FPDF GEN II

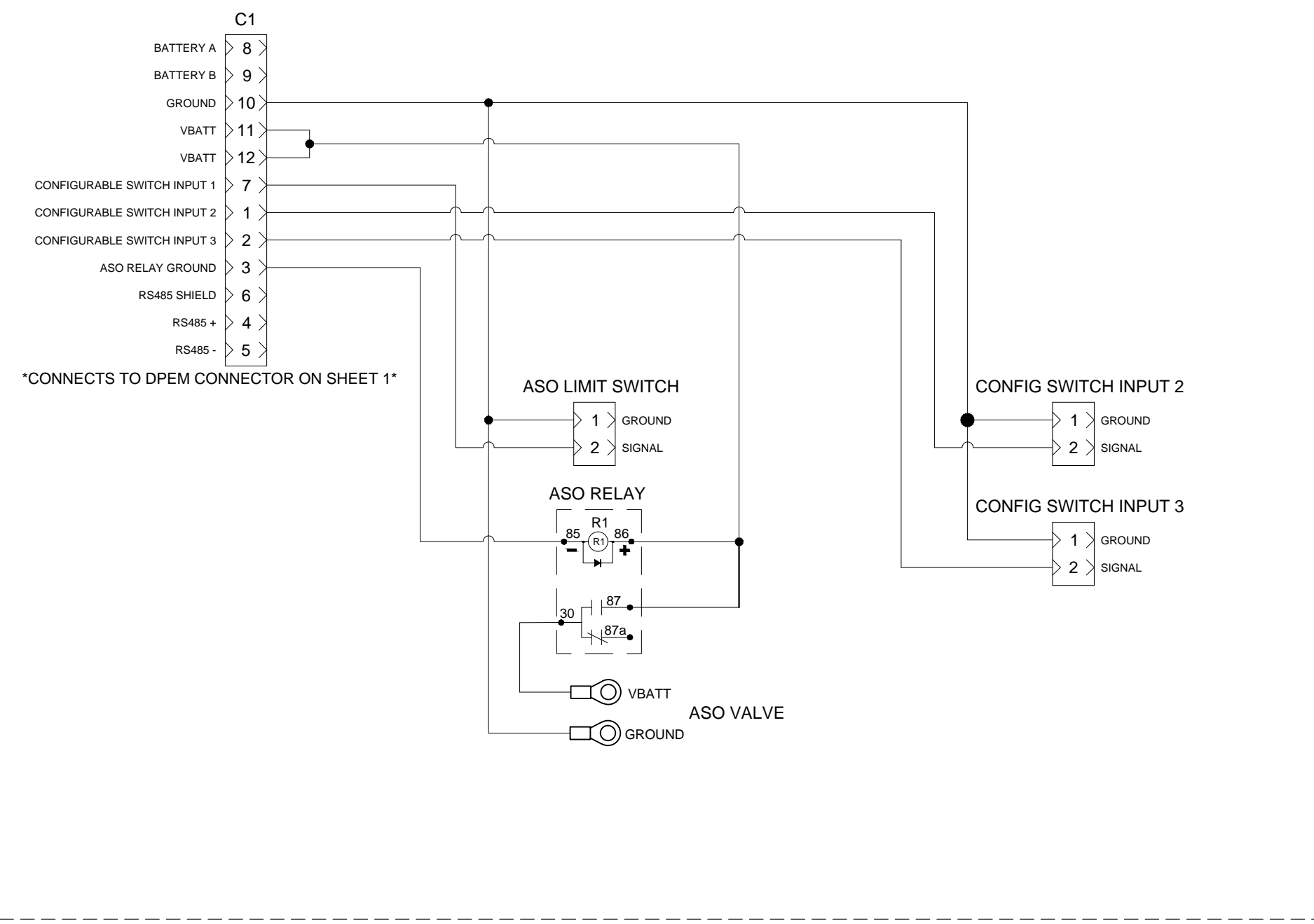
UNLESS OTHERWISE SPECIFIED ALL DIMENSION TOLERANCES ARE:
 ANGULAR DIMENSIONS ± 1°
 THIRD ANGLE PROJECTION
 DWG UNITS: INCH/LB/S
 SCALE: EST WEIGHT:
 SHEET 4 OF 6 DRAWING NO: A042J126

DATE: 22 NOV 2016
 INIT ECO: 2016-694

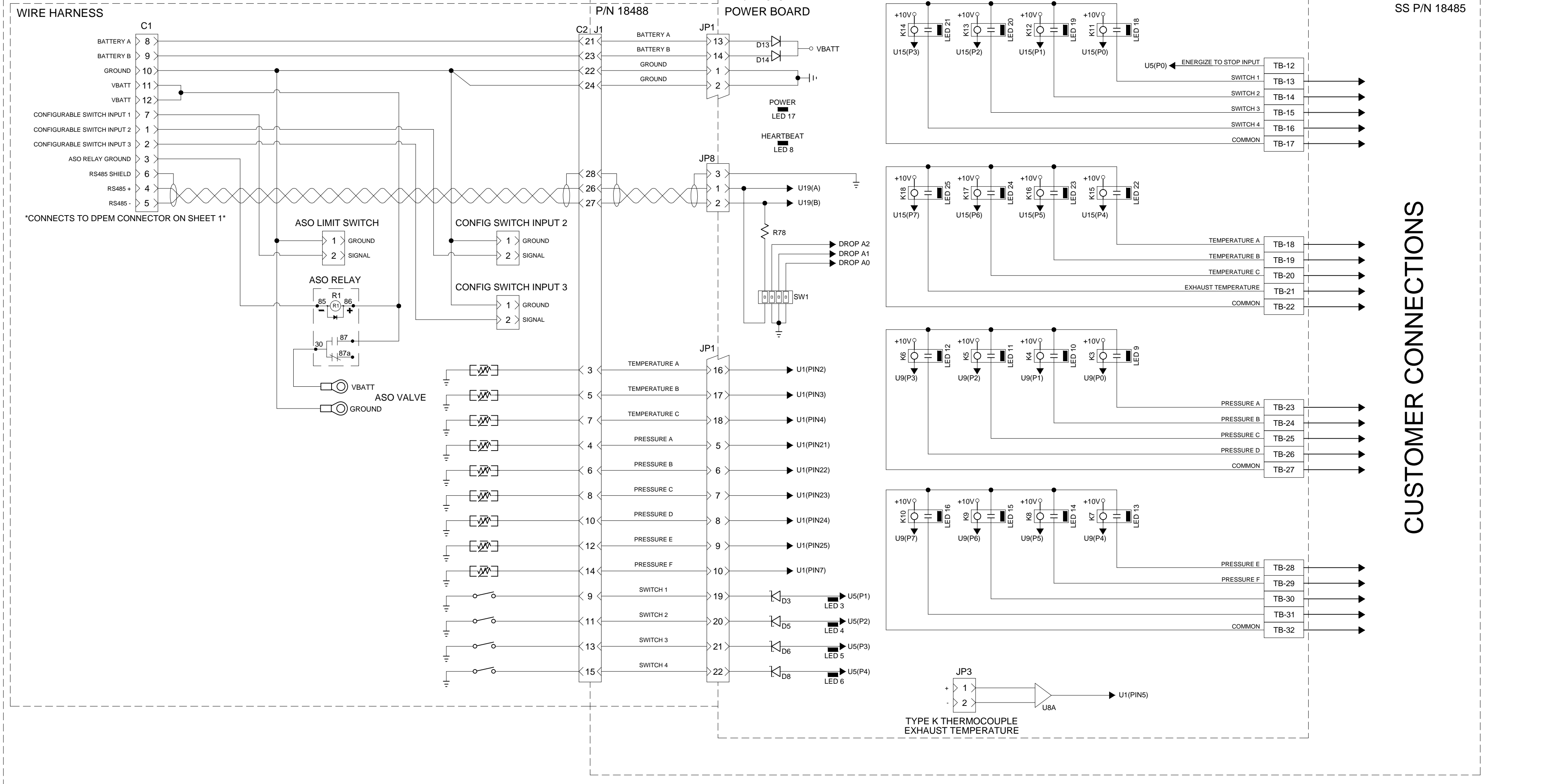
REV	ECO	DESCRIPTION OF REVISION	BY	DATE

ASO OPTION WITH UP TO 2 SWITCHED INPUTS

IF AIR SHUT-OFF (ASO) IS SELECTED, THE UL/FM LISTING IS REMOVED AS THIS OPTION IS NOT ALLOWED PER THE STANDARDS.

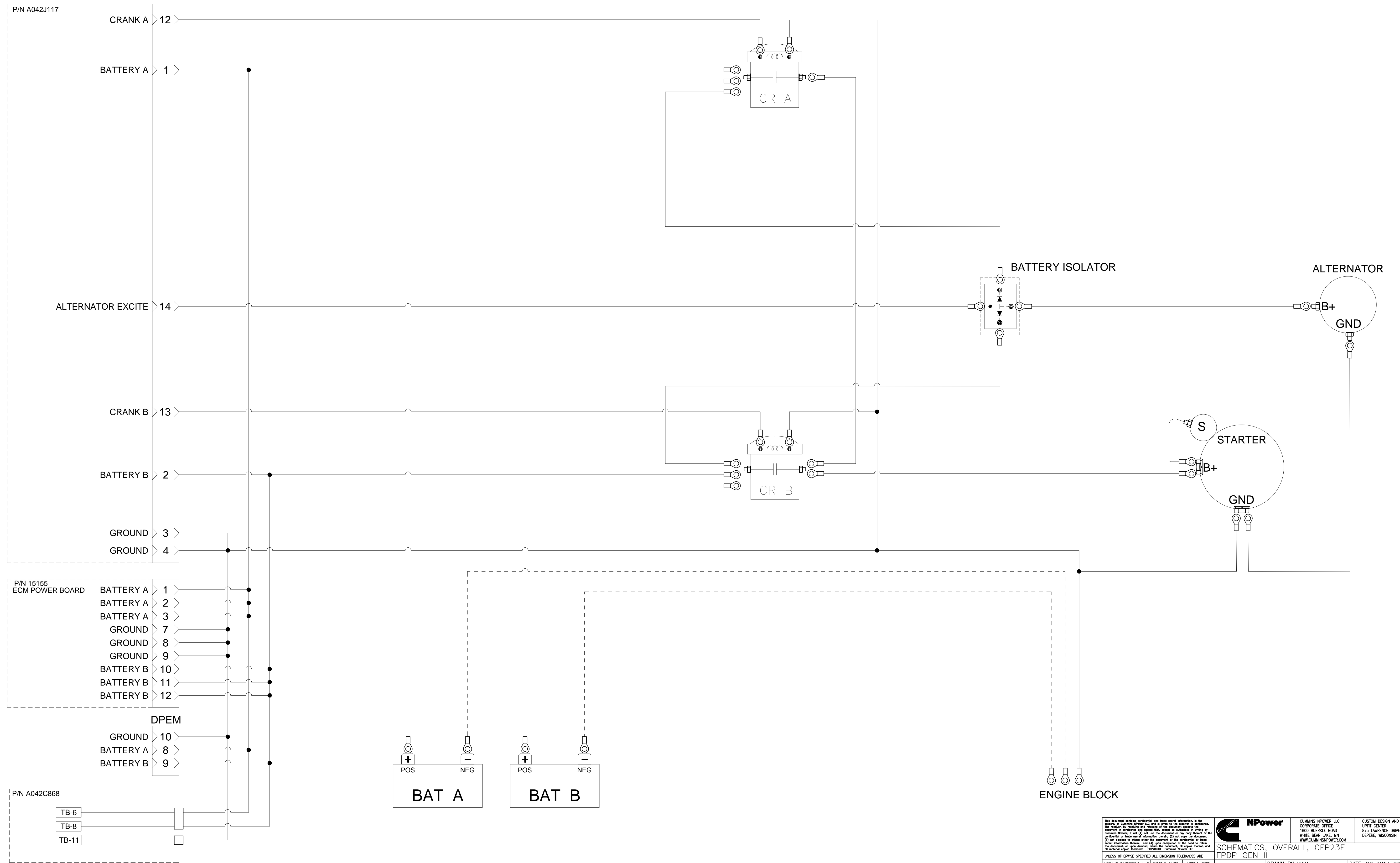


DPEM OPTION WITH ASO



CUSTOMER CONNECTIONS

<small>This document contains confidential and trade secret information in the property of Cummins NPower LLC and is given to the receiver in confidence. The receiver, by accepting and installing of this document, accepts liability for disclosure to third parties and agrees that it will not copy, reproduce, or disseminate this document or trade secret information herein. (2) not copy the document. (3) not disclose to others either the document or the confidential or trade secret information therein, and (4) use the information of the receiver in relation to the document or data operation, repair, the acquisition, or repair thereof, and all material issues therefrom. Copyright © Cummins NPower LLC.</small>			CUMMINS NPOWER LLC CORPORATE OFFICE 1600 BUERKLE ROAD WHITE SEAR LAKE, IN WWW.CUMMINSNPOWER.COM	CUSTOM DESIGN AND UPLIFT CENTER 875 LAWRENCE DRIVE DEPERE, WISCONSIN
SCHEMATICS, OVERALL, CFP23E FPDP GEN II				
UNLESS OTHERWISE SPECIFIED ALL DIMENSION TOLERANCES ARE: ANGULAR DIMENSIONS ± 1° THIRD ANGLE PROJECTION	IMPERIAL UNITS INCH/LB/S	METRIC UNITS MM/KG/M/S	DWG UNITS: INCH/LB/S SCALE:	DRAWN BY: KAK SHEET 5 OF 6 DATE: 22 NOV 2016 INIT ECO: 2016-694
REV ECO DESCRIPTION OF REVISION BY DATE			SHEET 5 OF 6 DRAWING NO: A042J126	



This document contains confidential and trade secret information, is the property of Cummins NPower LLC and is given to the receiver in confidence. The receiver is prohibited from disclosing this information to any third party without the prior written consent of Cummins NPower LLC. If you are not an authorized recipient, you should not disseminate, distribute, or use this information. If you are an authorized recipient, you should not disseminate, distribute, or use this information without the prior written consent of Cummins NPower LLC. UNLESS OTHERWISE SPECIFIED ALL DIMENSION TOLERANCES ARE:

ANGULAR DIMENSIONS ± 1°	IMPERIAL UNITS	METRIC UNITS
0.0005	0.0005	0.0127
0.0010	0.0010	0.0254
0.0020	0.0020	0.0508
0.0050	0.0050	0.1270
0.0100	0.0100	0.2540

THIRD ANGLE PROJECTION

UNLESS OTHERWISE SPECIFIED ALL DIMENSION TOLERANCES ARE:

ANGULAR DIMENSIONS ± 1°	IMPERIAL UNITS	METRIC UNITS
0.0005	0.0005	0.0127
0.0010	0.0010	0.0254
0.0020	0.0020	0.0508
0.0050	0.0050	0.1270
0.0100	0.0100	0.2540

SCHEMATICS, OVERALL, CFP23E
FPDP GEN II

DWG UNITS: INCH/LB/S	DRAWN BY: KAK	DATE: 22 NOV 2016
SCALE:	INIT ECO: 2016-694	
EST WEIGHT:	SHEET 6 OF 6	DRAWING NO: A042J126

CUMMINS NPower
CORPORATE OFFICE
1600 BUERKLE ROAD
WHITE SEAR LAKE, ILL.
WWW.CUMMINSPOWER.COM

CUSTOM DESIGN AND
UPFIT CENTER
875 LAWRENCE DRIVE
DEPOE, WISCONSIN

REV	ECO	DESCRIPTION OF REVISION	BY	DATE