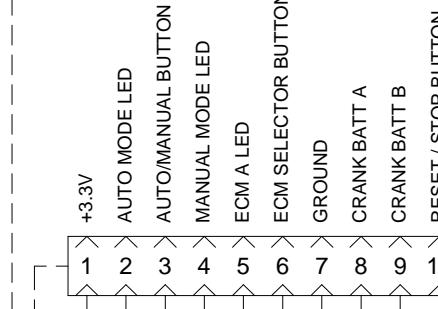


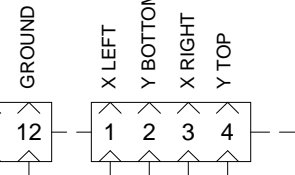
FPDP GEN II

CS P/N A042G184
SS P/N A042G186

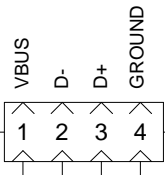
TO OVERLAY



TO LCD TOUCHSCREEN



USB

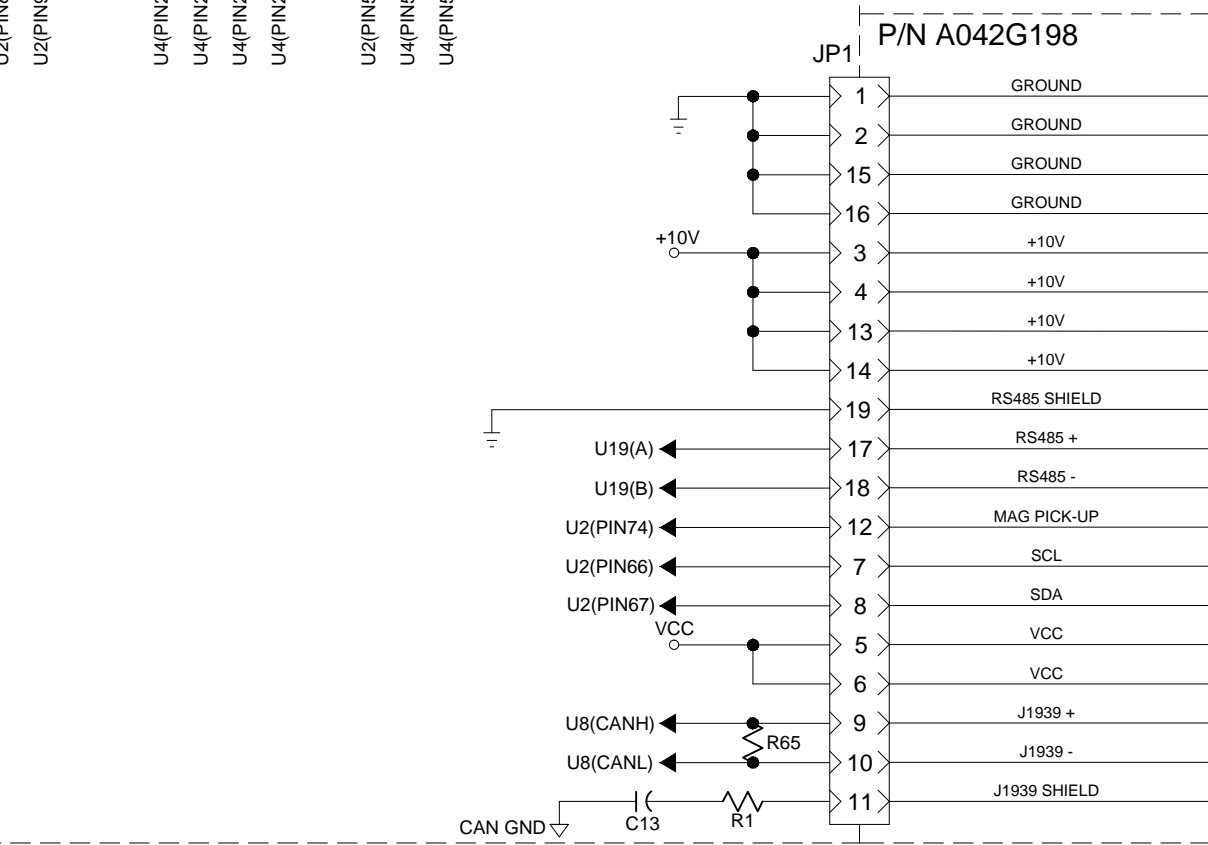


TO LCD



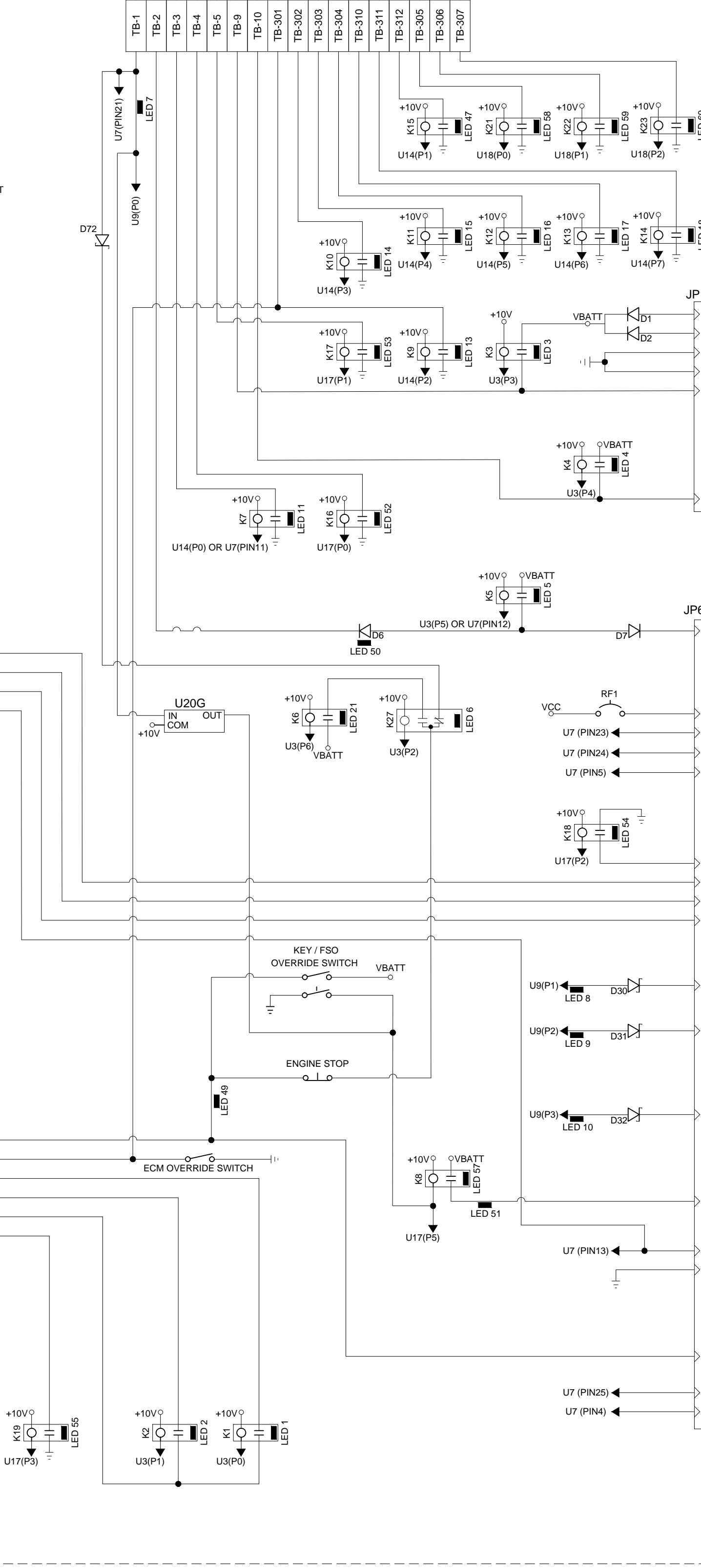
POWER LED 1
HEARTBEAT LED 2

P/N A042G195
DISPLAY BOARD

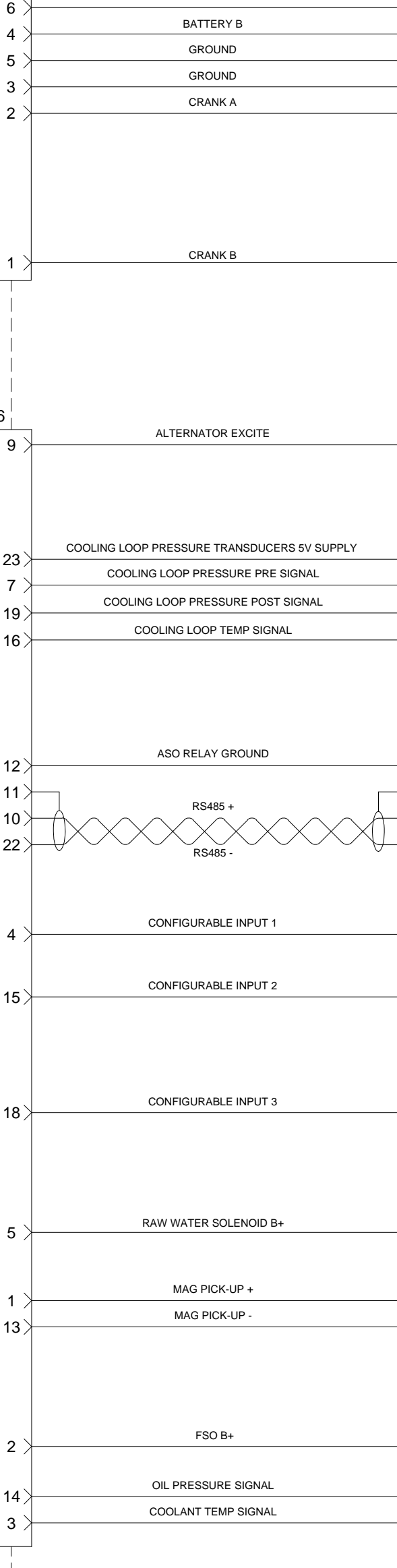


P/N A042G196
POWER BOARD

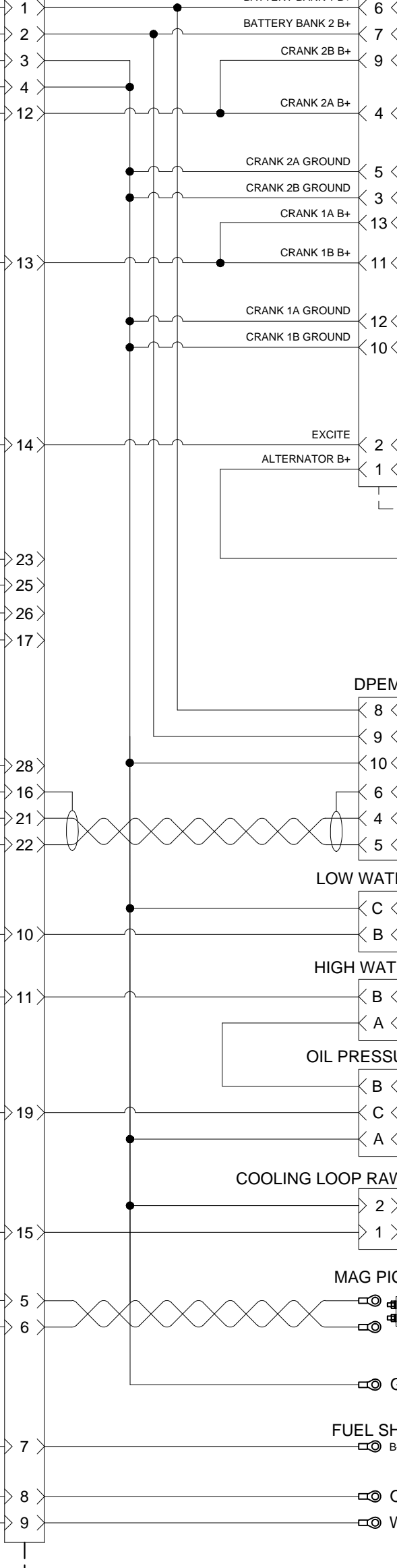
POWER LED 19
HEARTBEAT LED 20



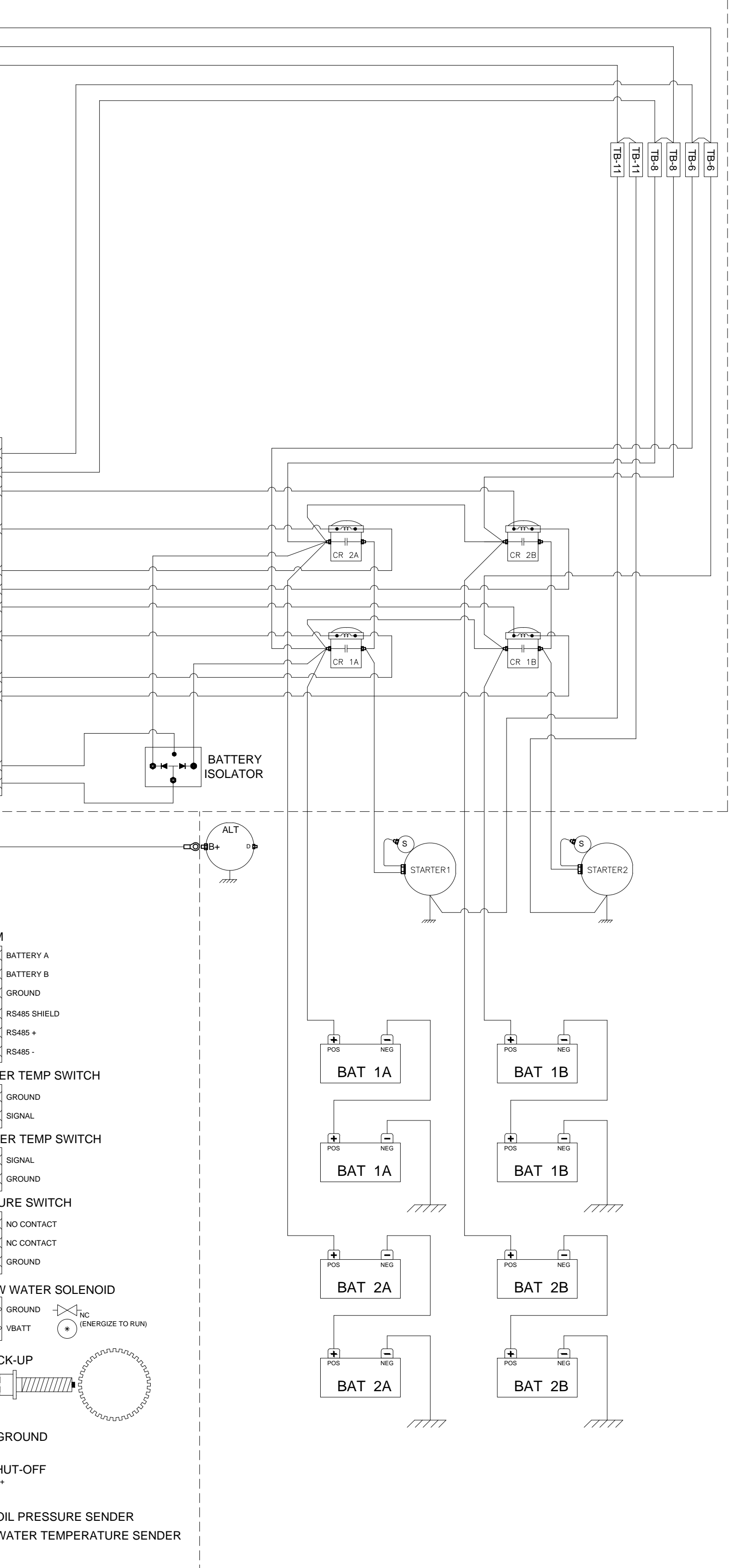
P/N A042G197



J1 P/N A042????



P/N A042B041/42



This document contains confidential and trade secret information, is the property of Cummins NPower, LLC and is given in confidence. The recipient, by accepting and installing of this document, agrees to maintain its confidentiality and not to disclose it to any third party without the prior written consent of Cummins NPower, LLC. If you are not the intended recipient, you should not disseminate, distribute or take any action in reliance on the information herein. If you have received this document in error, please notify the sender immediately by e-mail at info@cumminsnpower.com and delete this document from your system. All rights reserved. ©2016 Cummins NPower, LLC.

NPower
CUMMINS NPOWER LLC
CORPORATE OFFICE
1600 BUSHKLE ROAD
WHITE SEAR LAKE, MN
WWW.CUMMINSNPOWER.COM

CUSTOM DESIGN AND
UPFIT CENTER
875 LARRANCE DRIVE
DUFFER, WISCONSIN

**SCHEMATICS, OVERALL, CFP50
FPDP GEN II**

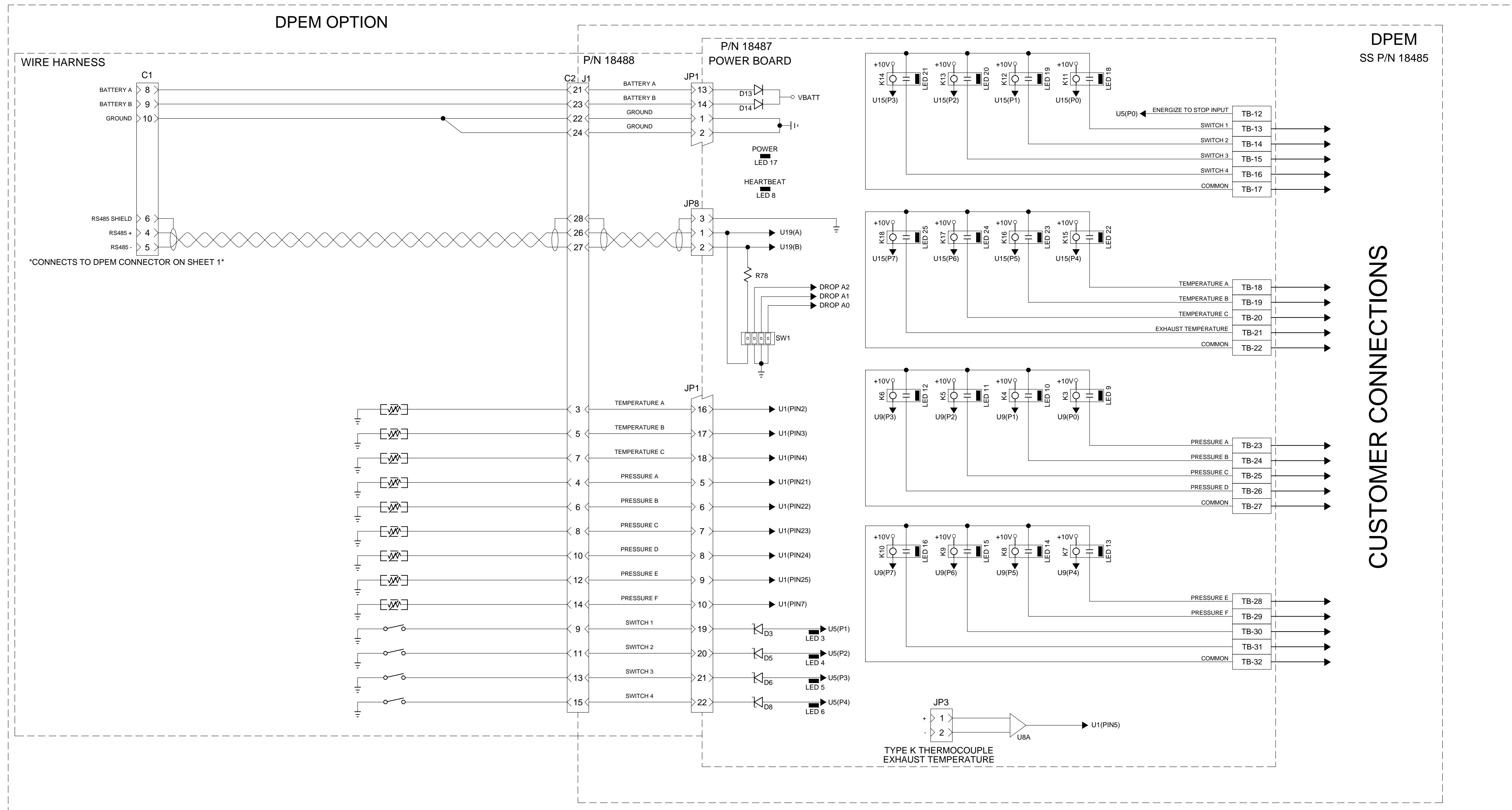
UNLESS OTHERWISE SPECIFIED ALL DIMENSION TOLERANCES ARE:
ANGULAR DIMENSIONS ± 1°
THIRD ANGLE PROJECTION
IMPERIAL UNITS: INCH/LB/S
METRIC UNITS: MILLIMETER/GRAM

DWG UNITS: INCH/LB/S
SCALE: AS SHOWN
EST WEIGHT:

DRAWN BY: KAK
DATE: 22 NOV 2016
INIT ECO: 2016-694

SHEET 1 OF 2
DRAWING NO: A042J128

REV	ECO	DESCRIPTION OF REVISION	BY	DATE



CUSTOMER CONNECTIONS

<small>This document contains confidential and trade secret information, is the property of Cummins NPower LLC and is loaned to the receiver in confidence. The receiver is prohibited from disclosing this information to any third party without the prior written consent of Cummins NPower LLC. If you are not an authorized recipient, you should not disseminate this information. If you are an authorized recipient, you should not disseminate this information to any third party without the prior written consent of Cummins NPower LLC. If you are not an authorized recipient, you should not disseminate this information to any third party without the prior written consent of Cummins NPower LLC. If you are an authorized recipient, you should not disseminate this information to any third party without the prior written consent of Cummins NPower LLC.</small>			CUMMINS NPOWER LLC CORPORATE OFFICE 1600 BUENAVISTA ROAD WHITE SEAS LAKE, MN WWW.CUMMINSNPOWER.COM	CUSTOM DESIGN AND UPLIFT CENTER 875 LAMORANCE DRIVE DEPERE, WISCONSIN	
SCHEMATICS, OVERALL, CFP50 FPDP GEN II					
ANGULAR DIMENSIONS ± 1° THIRD ANGLE PROJECTION	IMPERIAL UNITS INCH/LB/S	METRIC UNITS MM/KG/S	DWG UNITS: INCH/LB/S SCALE: EST WEIGHT:	DRAWN BY: KAK AUTO CAD	DATE: 22 NOV 2016 INIT ECO: 2016-694
UNLESS OTHERWISE SPECIFIED ALL DIMENSION TOLERANCES ARE		SHEET 2 OF 2			
REV ECO DESCRIPTION OF REVISION BY DATE		DRAWING NO: A042J128			