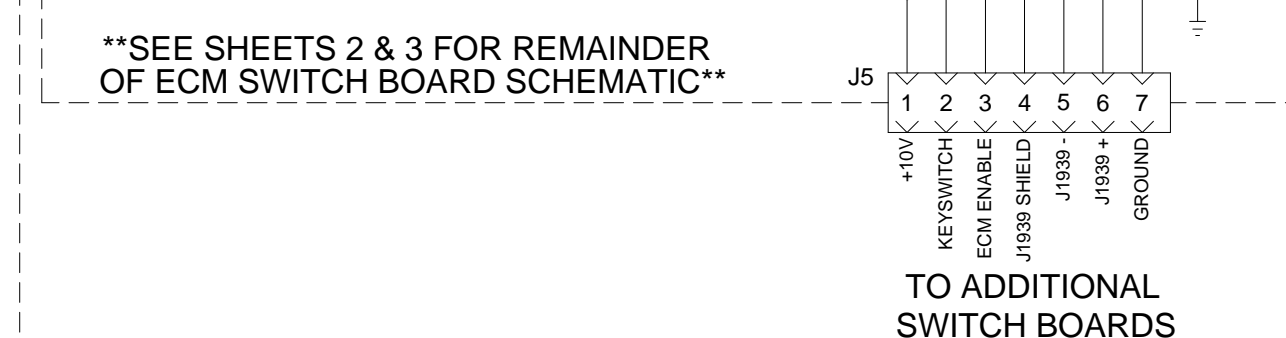
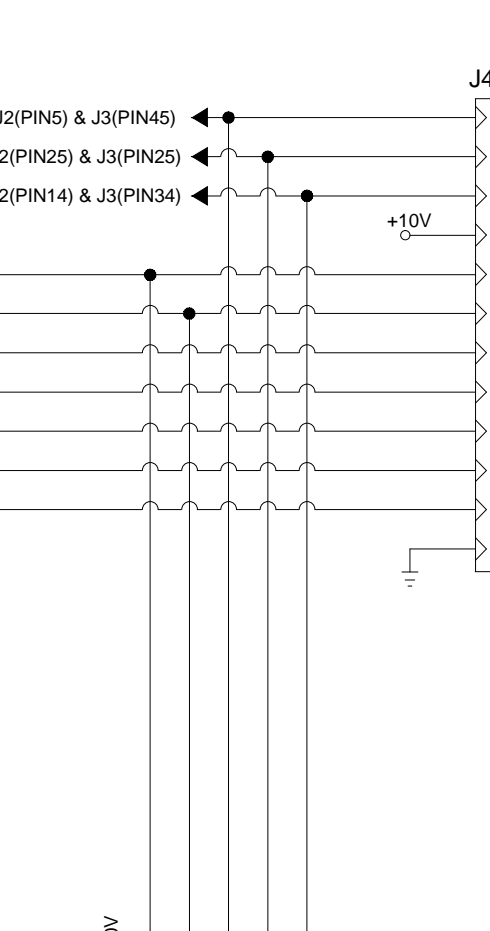
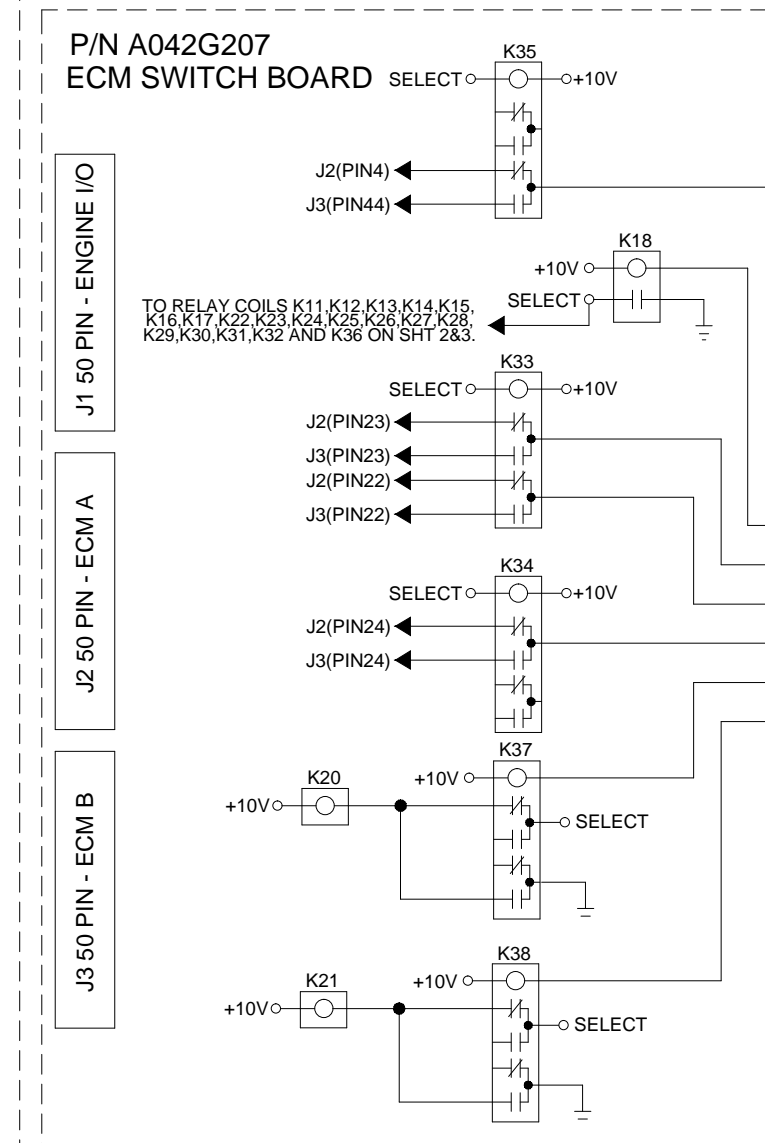
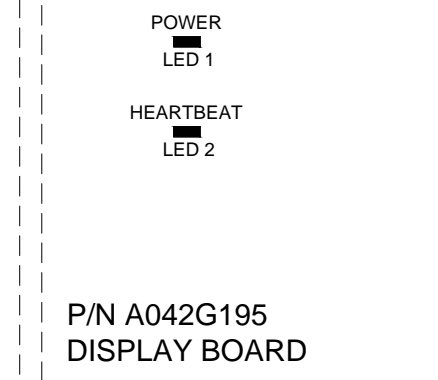
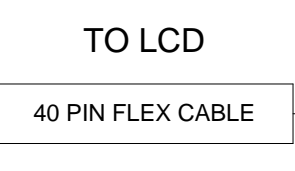
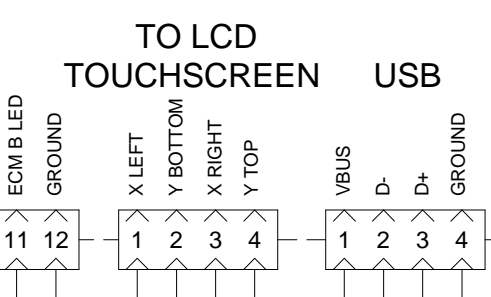
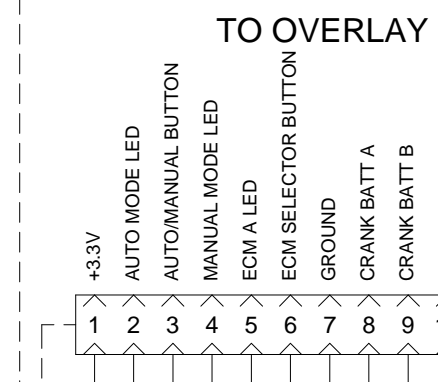
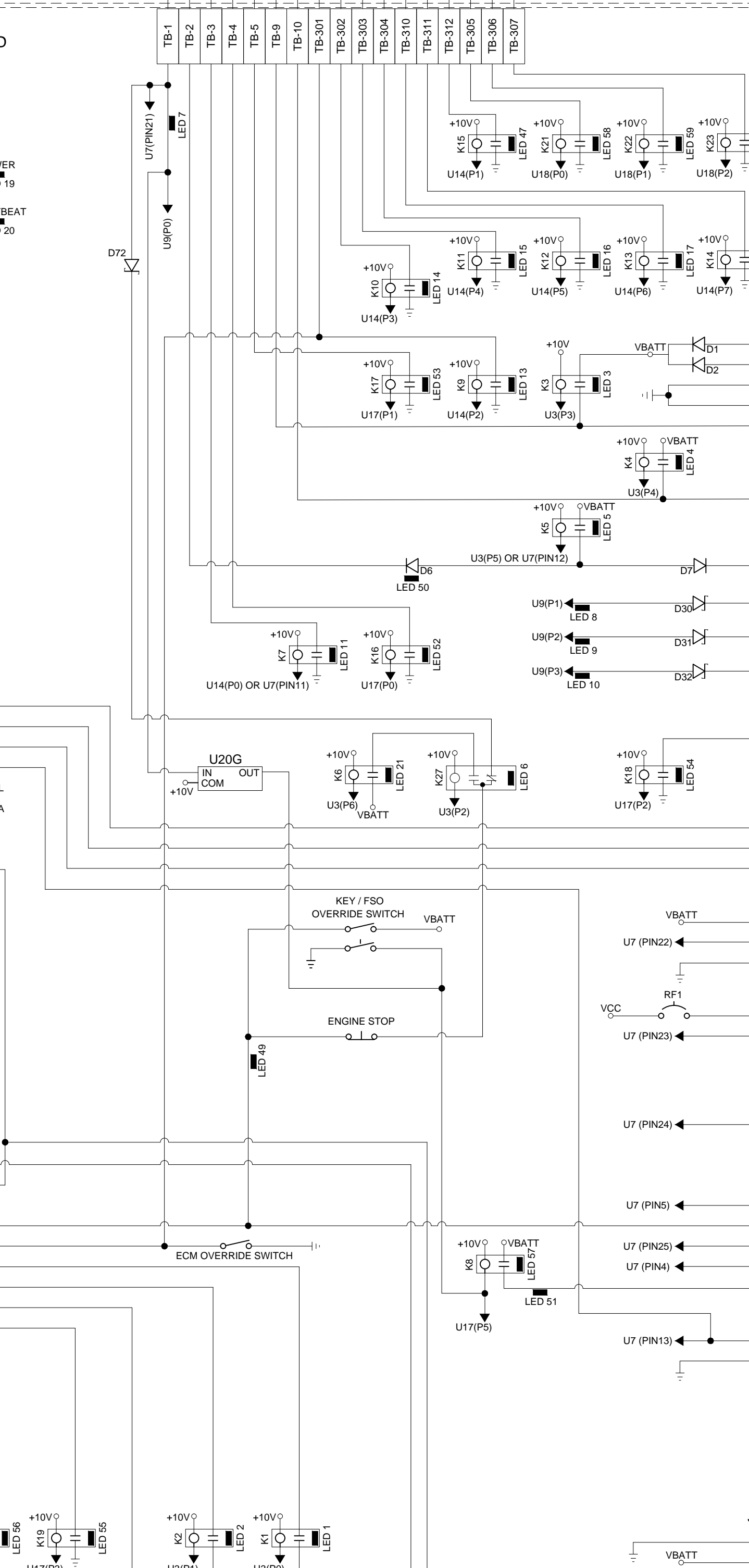
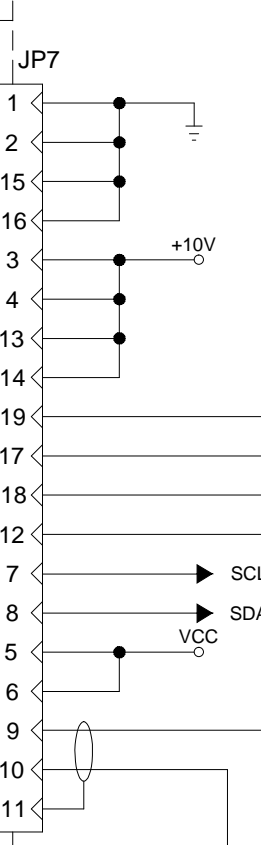


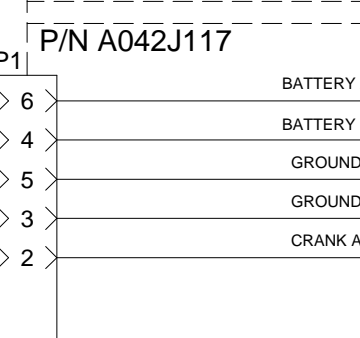
FPDP GEN II
CS P/N A042G185
SS P/N A042G187



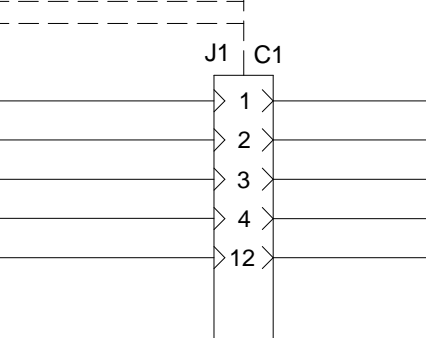
P/N A042G196
POWER BOARD



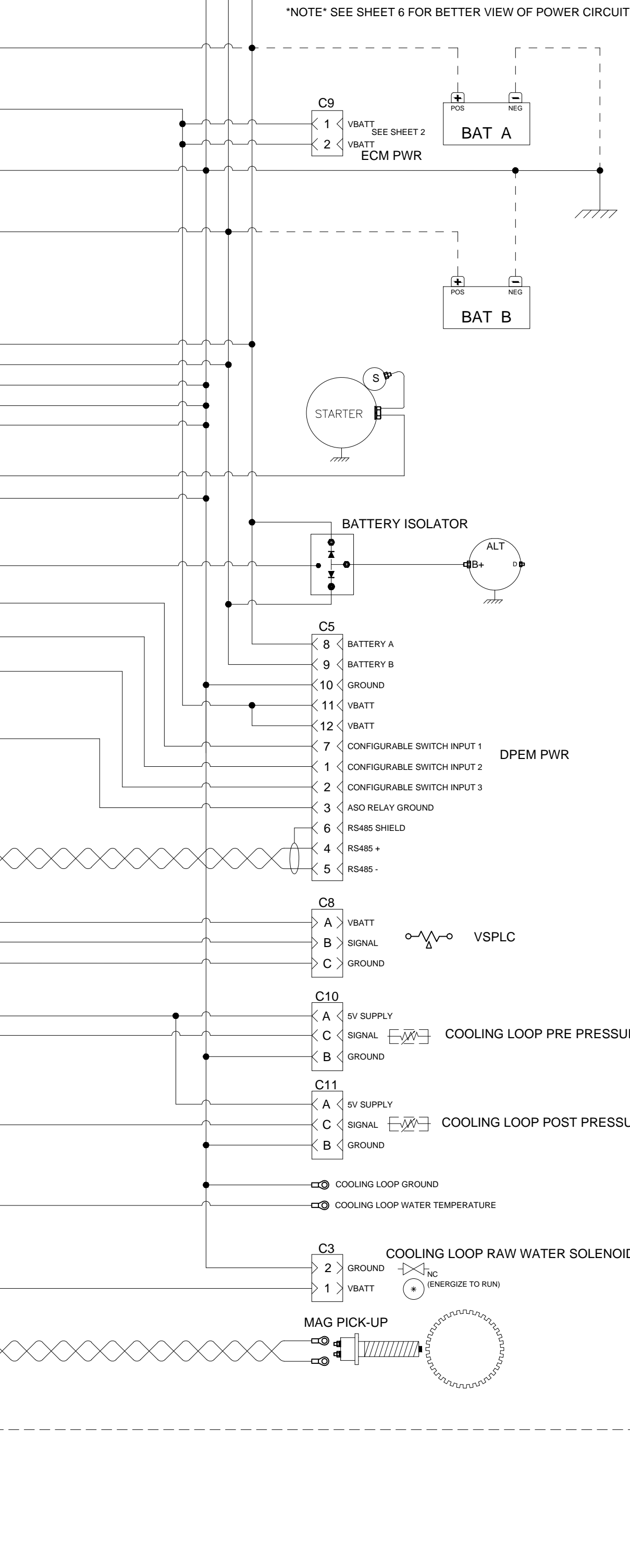
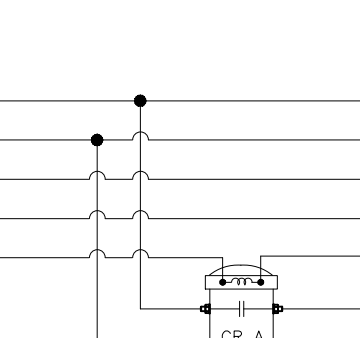
P/N 15155
ECM POWER BOARD



CS P/N A042C868
SS P/N A042F943



P/N A042H290



NOTE SEE SHEET 6 FOR BETTER VIEW OF POWER CIRCUITS

SEE SHEETS 2 & 3 FOR REMAINDER OF ECM SWITCH BOARD SCHEMATIC

This document contains confidential and trade secret information, is the property of Cummins Power LLC and is loaned to the receiver in confidence. The receiver is prohibited from disclosing this information to any third party without the prior written consent of Cummins Power LLC. If you are not an authorized recipient, you are notified that disclosing, copying, distributing, taking action in reliance on the contents of this information, or in any way making use of the information is strictly prohibited. © 2016 Cummins Power LLC. All rights reserved.

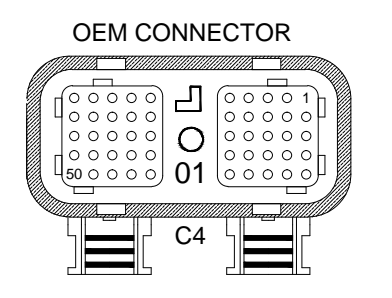
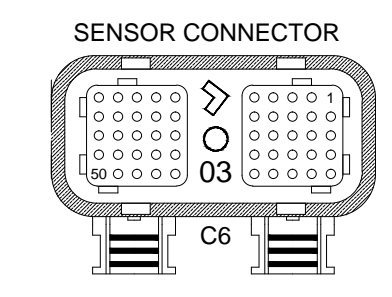
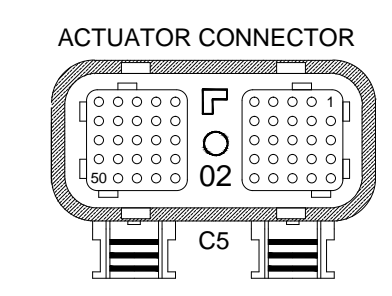
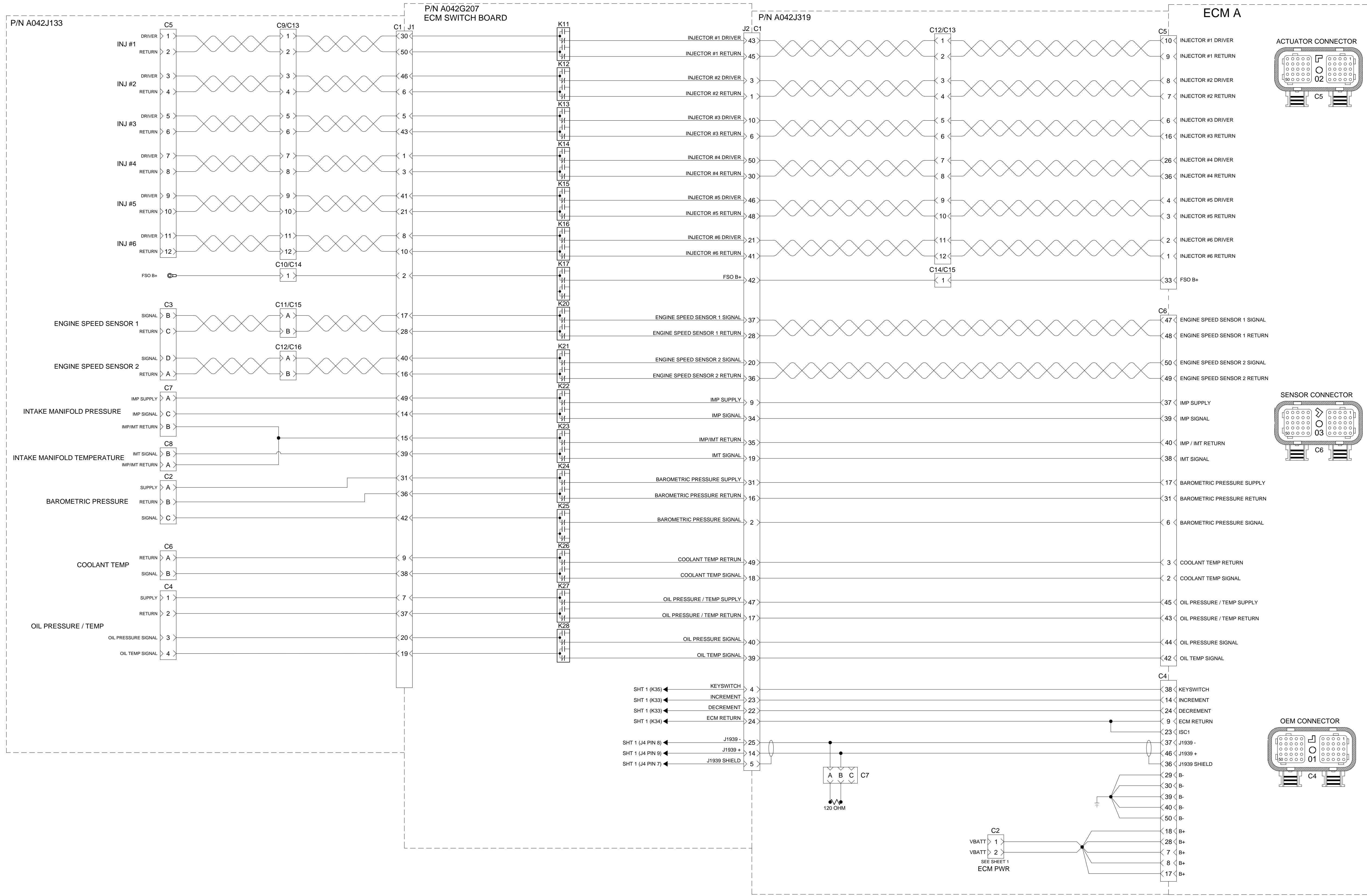
Cummins NPower
CUMMINS NPOWER LLC
CORPORATE OFFICE
1600 BUEKLE ROAD
WHITE SEAR LAKE, ILL.
WWW.CUMMINSPOWER.COM

CUSTOM DESIGN AND
LIFT CENTER
875 LAWRENCE DRIVE
DEPUE, WISCONSIN

SHEMATICS, OVERALL, CFP11E
FPDP GEN II

UNLESS OTHERWISE SPECIFIED ALL DIMENSION TOLERANCES ARE:
ANGULAR DIMENSIONS ± 1°
THIRD ANGLE PROJECTION
IMPERIAL UNITS
METRIC UNITS
DWG UNITS: INCH/LB/S
SCALE: EST WEIGHT:
DRAWN BY: KAK
DATE: 1 FEB 2017
INIT ECO: 2016-694
SHEET 1 OF 6
DRAWING NO: A042J124

REV	ECO	DESCRIPTION OF REVISION	BY	DATE



This document contains confidential and trade secret information, is the property of Cummins Power LLC and is given to the receiver in confidence. The receiver is prohibited from disclosing this information to any third party without the prior written consent of Cummins Power LLC. If you are not an intended recipient, you should not disseminate, distribute or take any action in reliance on the information herein. If you have received this document by mistake, please notify us immediately by email at power@cummins.com or by phone at 1-800-451-7334. Thank you for your cooperation.

Cummins NPower

CUMMINS NPOWER LLC
CORPORATE OFFICE
1600 BUEKLE ROAD
WHITE SEAR LAKE, WI
WWW.CUMMINSPOWER.COM

CUSTOM DESIGN AND
UPFIT CENTER
875 LAWRENCE DRIVE
DEPORE, WISCONSIN

SCHEMATICS, OVERALL, CFP11E
FPDP GEN II

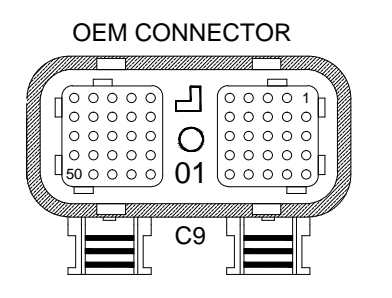
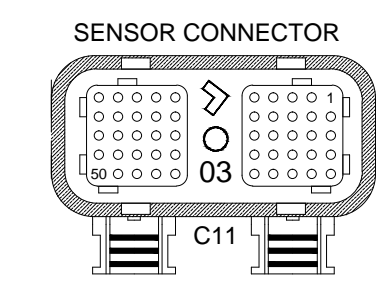
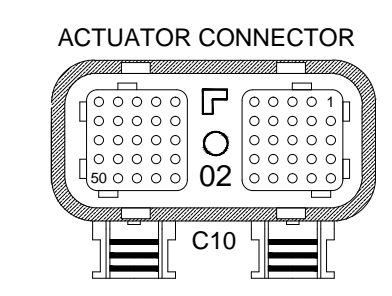
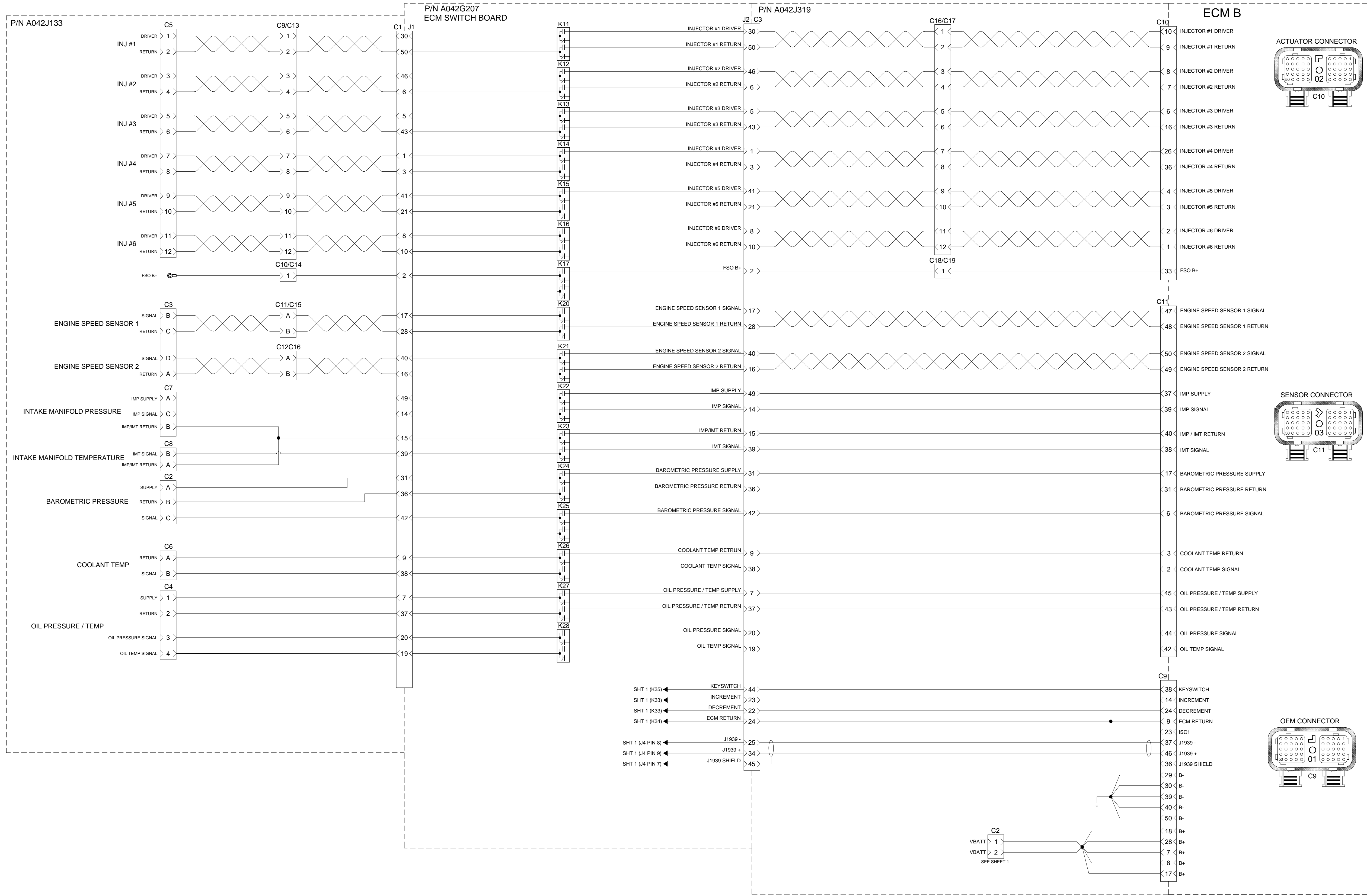
UNLESS OTHERWISE SPECIFIED ALL DIMENSION TOLERANCES ARE:
ANGULAR DIMENSIONS ± 1°
THIRD ANGLE PROJECTION
IMPERIAL UNITS: INCH/LB/S
METRIC UNITS: MM/KG

DWG UNITS: INCH/LB/S
SCALE: EST WEIGHT:

DRAWN BY: KAK
DATE: 1 FEB 2017
INIT ECO: 2016-694

SHEET 2 OF 6
DRAWING NO: A042J124

REV	ECO	DESCRIPTION OF REVISION	BY	DATE



This document contains confidential and trade secret information, is the property of Cummins NPower LLC and is given to the receiver in confidence. The receiver is prohibited from disclosing this information to any third party without the prior written consent of Cummins NPower LLC. If you are not an intended recipient, you should not disseminate, distribute or copy this document. If you have received this document by mistake, please notify the sender immediately by e-mail at power@cummins.com. This document is not intended to be used in any way other than the specific application for which it was prepared. Cummins NPower LLC is not responsible for any errors or omissions in this document. © 2017 Cummins NPower LLC.

Cummins NPower
 CUMMINS NPOWER LLC
 CORPORATE OFFICE
 1600 BUEKLE ROAD
 WHITE SEAR LAKE, IN
 WWW.CUMMINSPOWER.COM

CUSTOM DESIGN AND
 UPLIFT CENTER
 875 LAWRENCE DRIVE
 DEPOE, WISCONSIN

SCHEMATICS, OVERALL, CFP11E
FPDP GEN II

UNLESS OTHERWISE SPECIFIED ALL DIMENSION TOLERANCES ARE:
 ANGULAR DIMENSIONS ± 1°
 THIRD ANGLE PROJECTION
 IMPERIAL UNITS: INCH/LB/S
 METRIC UNITS: MM/KG

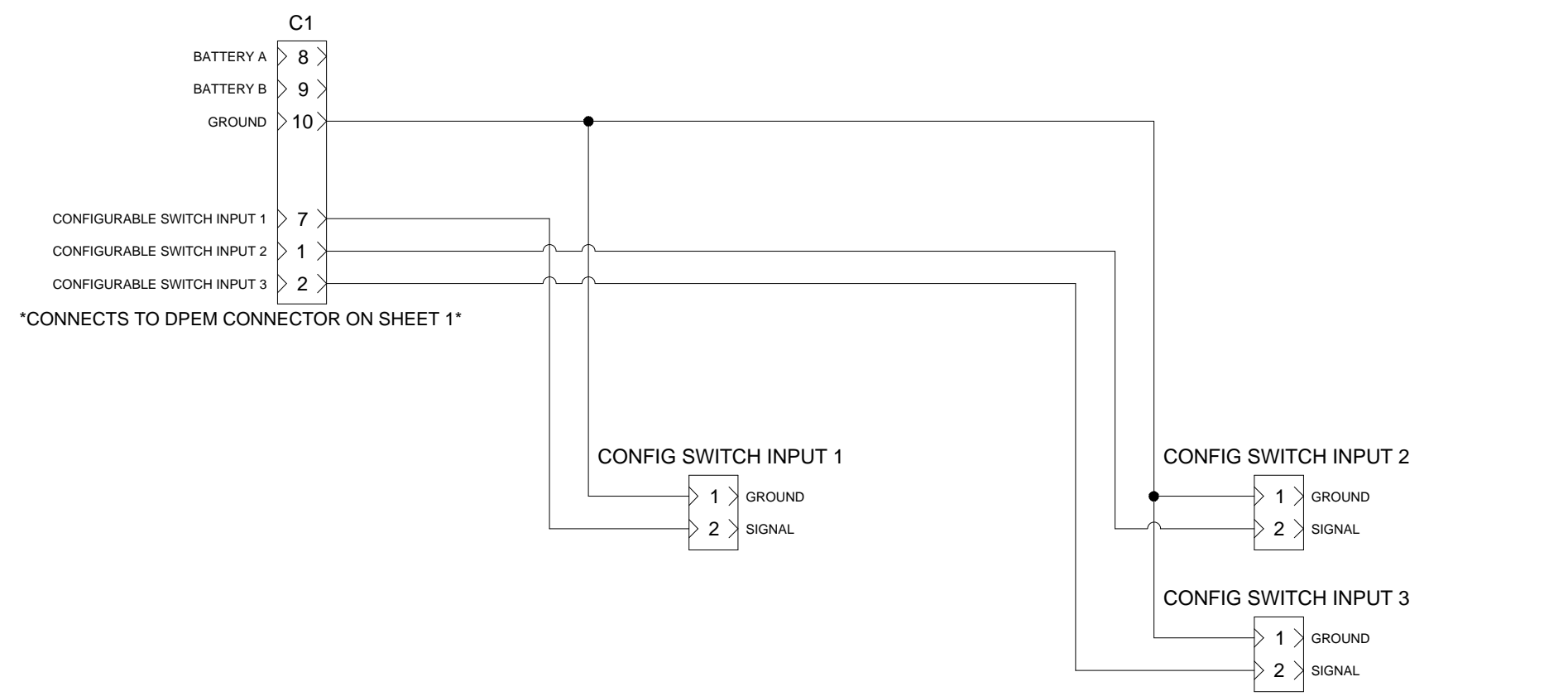
DWG UNITS: INCH/LB/S
 SCALE: AS SHOWN
 EST WEIGHT:

DRAWN BY: KAK
 DATE: 1 FEB 2017
 INIT ECO: 2016-694

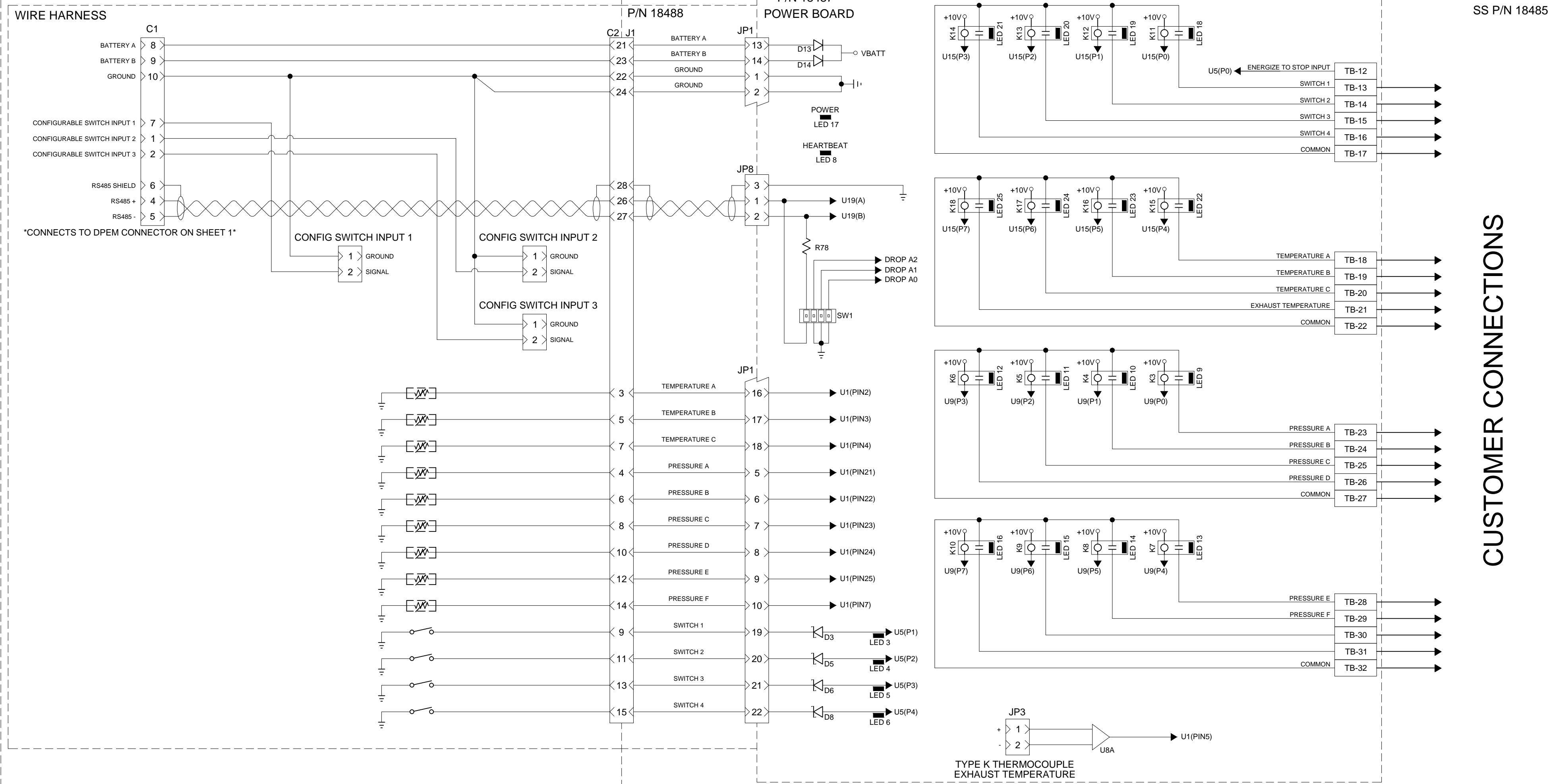
SHEET 3 OF 6
 DRAWING NO: A042J124

REV	ECO	DESCRIPTION OF REVISION	BY	DATE

NO ASO OPTION WITH UP TO 3 SWITCHED INPUTS



DPEM OPTION WITH NO ASO



CUSTOMER CONNECTIONS

This document contains confidential and trade secret information in the property of Cummins NPower LLC and is given to the receiver in confidence. The receiver is prohibited from disclosing this information to any third party without the prior written consent of Cummins NPower LLC. If you are not the intended recipient, you should not disseminate, distribute or take any action in reliance on the information herein. If you have received this document in error, please notify the sender immediately by email at customer.service@cummins.com. This document is not intended to constitute an offer of insurance or any other financial product. Cummins NPower LLC is not a financial institution. © 2016 Cummins NPower LLC.

Cummins NPower
 CUMMINS NPOWER LLC
 CORPORATE OFFICE
 1600 BUERKLE ROAD
 WHITE SEAR LAKE, IN
 WWW.CUMMINSPOWER.COM

CUSTOM DESIGN AND
 UPLIFT CENTER
 875 LAWRENCE DRIVE
 DEPOE, WISCONSIN

SHEMATIC, OVERALL, CFP11E
 FPDF GEN II

UNLESS OTHERWISE SPECIFIED ALL DIMENSION TOLERANCES ARE:
 ANGULAR DIMENSIONS ± 1°
 THIRD ANGLE PROJECTION
 IMPERIAL UNITS: INCH/LB/S
 METRIC UNITS: MM/KG

DWG UNITS: INCH/LB/S
 SCALE: AS SHOWN
 EST WEIGHT:

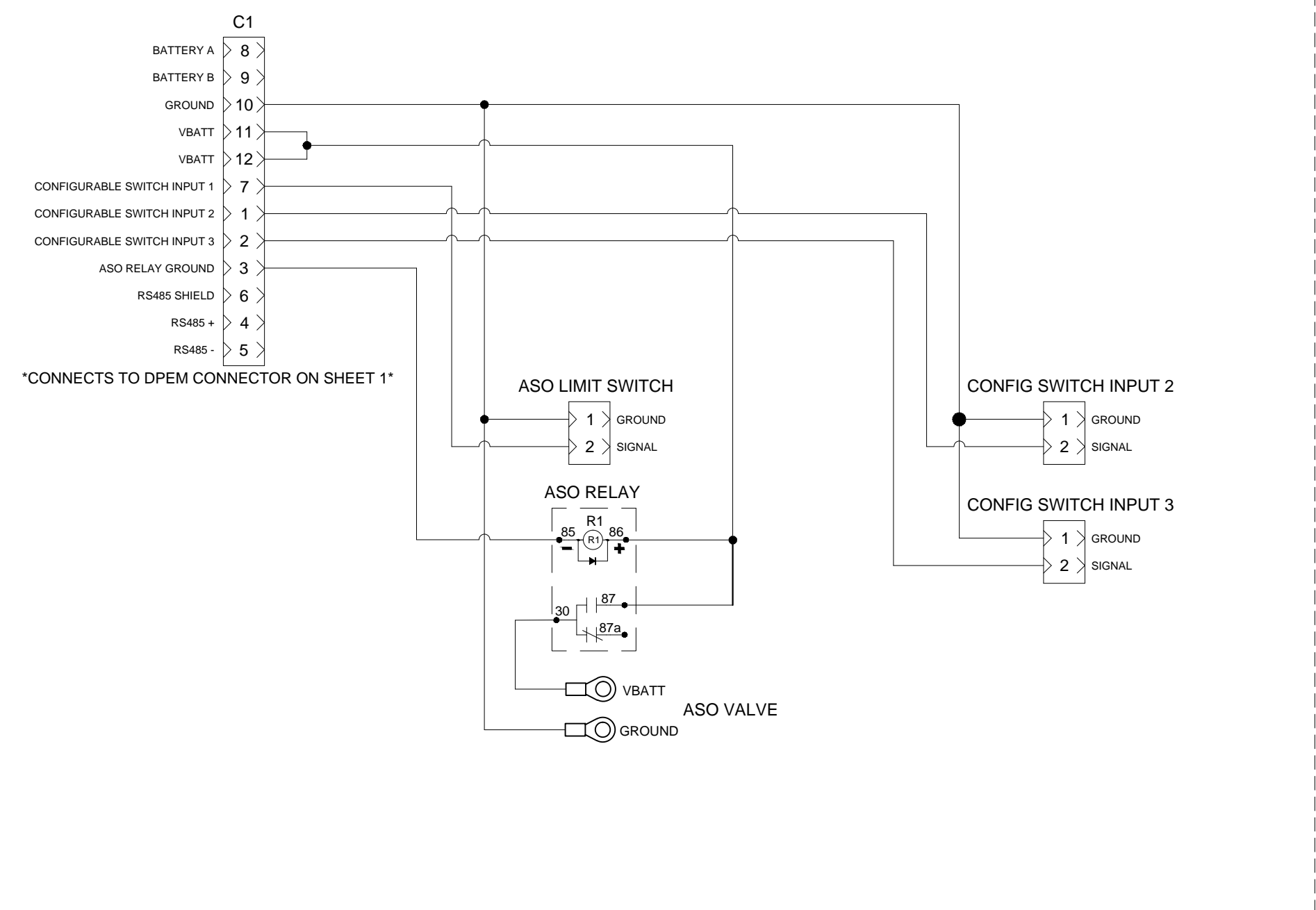
DATE: 1 FEB 2017
 INIT ECO: 2016-694

SHEET 4 OF 6
 DRAWING NO: A042J124

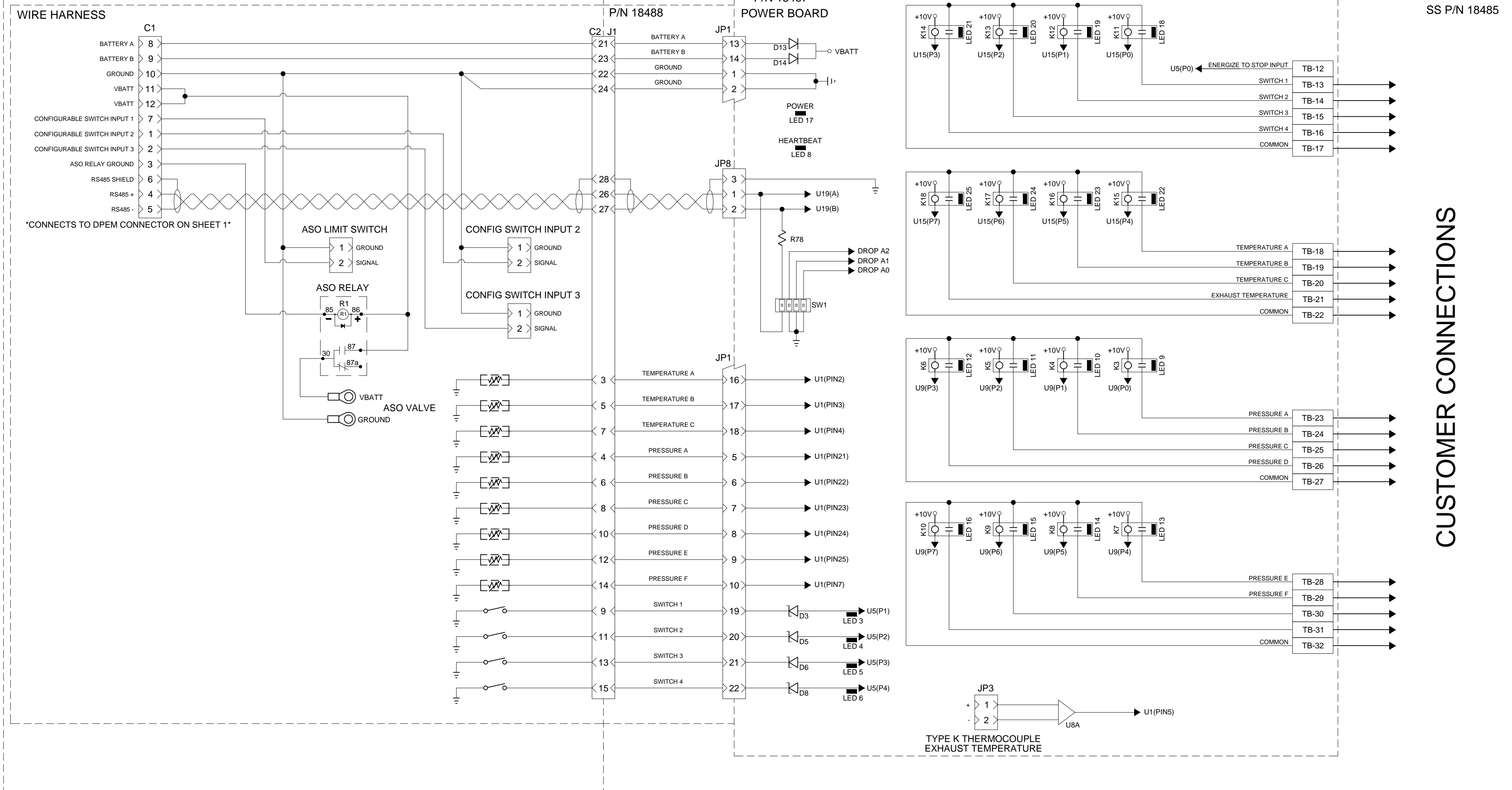
REV	ECO	DESCRIPTION OF REVISION	BY	DATE

IF AIR SHUT-OFF (ASO) IS SELECTED, THE UL/FM LISTING IS REMOVED AS THIS OPTION IS NOT ALLOWED PER THE STANDARDS.

ASO OPTION WITH UP TO 2 SWITCHED INPUTS



DPDM OPTION WITH ASO



CUSTOMER CONNECTIONS

This document contains confidential and trade secret information in the property of Cummins NPower LLC and is given to the receiver in confidence. The receiver is hereby notified that disclosure of this document to anyone other than Cummins NPower, its affiliates, or its authorized agents is strictly prohibited. (1) not to use the document or any part thereof for confidential or trade secret information. (2) not to copy the document. (3) not to disclose to others either the document or the confidential or trade secret information therein, and (4) use the document only for the purpose intended. The document is not to be used for the production of copies thereof, and all material is to be returned to Cummins NPower LLC.

NPower
 CUMMINS NPOWER LLC
 CORPORATE OFFICE
 1600 BUERKLE ROAD
 WHITE SEAR LAKE, WI
 WWW.CUMMINSNPOWER.COM

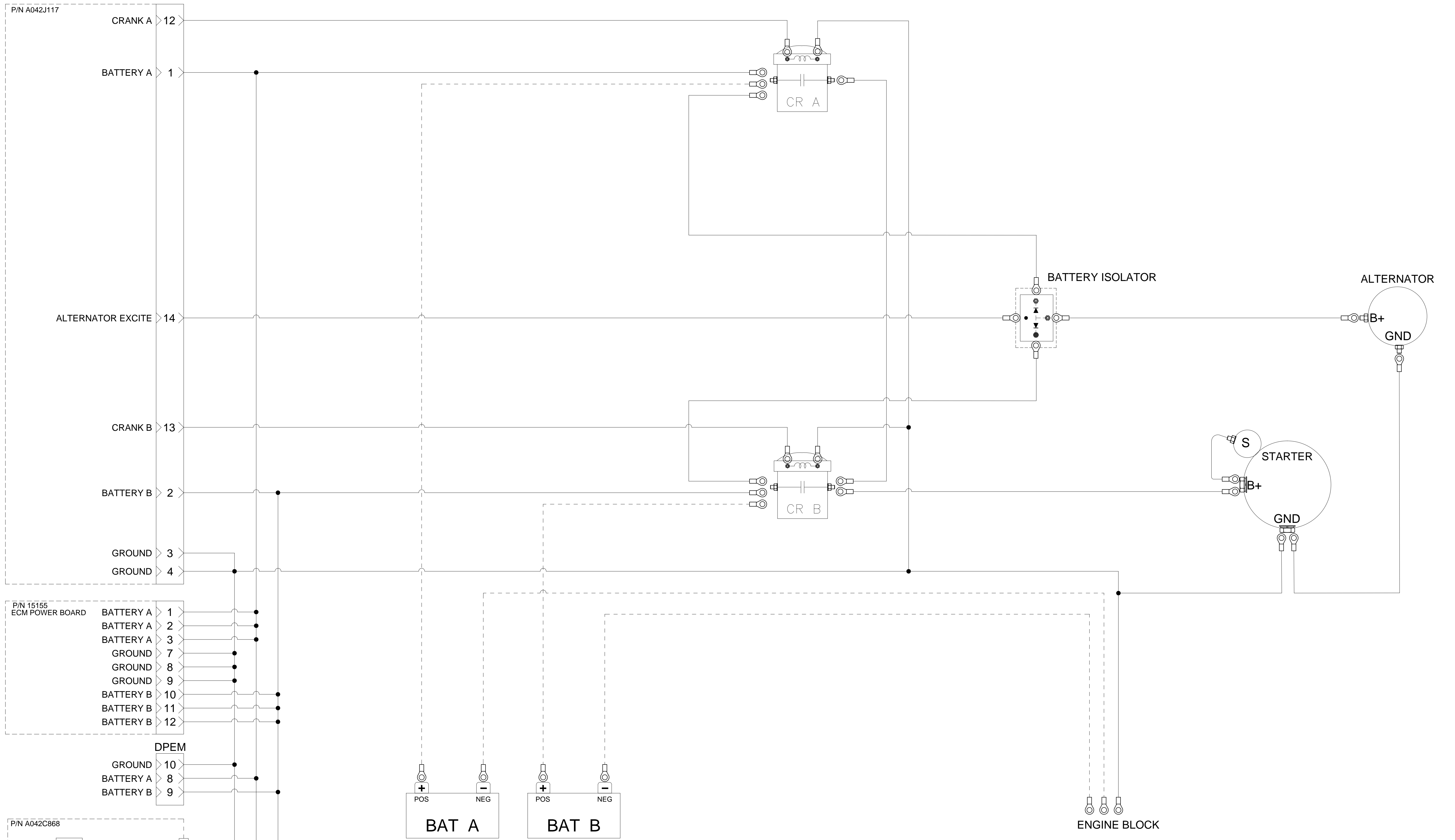
CUSTOM DESIGN AND
 UPLIFT CENTER
 875 LAWRENCE DRIVE
 DEPORE, WISCONSIN

SCHEMATICS, OVERALL, CFP11E
 FPDF GEN II

UNLESS OTHERWISE SPECIFIED ALL DIMENSION TOLERANCES ARE:
 ANGULAR DIMENSIONS ± 1°
 THIRD ANGLE PROJECTION
 IMPERIAL UNITS: INCH/LB/S
 METRIC UNITS: MM/KG

DWG UNITS: INCH/LB/S
 SCALE: EST WEIGHT:
 DRAWN BY: KAK
 SHEET 5 OF 6
 DATE: 1 FEB 2017
 INIT ECO: 2016-694
 DRAWING NO: A042J124

REV	ECO	DESCRIPTION OF REVISION	BY	DATE



This document contains confidential and trade secret information, is the property of Cummins NPower LLC and is given to the receiver in confidence. The receiver is to keep and maintain it in confidence except being so authorized in writing by Cummins NPower. It is not to be used, copied, or reproduced in any form without the prior written consent of Cummins NPower. It is not to be used for any purpose other than that intended by Cummins NPower. It is not to be used for any purpose other than that intended by Cummins NPower. It is not to be used for any purpose other than that intended by Cummins NPower.

Cummins NPower
 CUMMINS NPOWER LLC
 CORPORATE OFFICE
 1600 BUECKLE ROAD
 WHITE SEAM LAKE, IN
 WWW.CUMMINSNPOWER.COM

CUSTOM DESIGN AND
 UPLIFT CENTER
 875 LAWRENCE DRIVE
 DEPERE, WISCONSIN

SCHMATICS, OVERALL, CFP11E
 FPDP GEN II

UNLESS OTHERWISE SPECIFIED ALL DIMENSION TOLERANCES ARE:
 ANGULAR DIMENSIONS ± 1°
 THIRD ANGLE PROJECTION

IMPERIAL UNITS	METRIC UNITS	DWG UNITS:	DRAWN BY: KAK	DATE: 1 FEB 2017
INCH/LB/S	MM/KG	SCALE:	AUTO CAD	INIT ECO: 2016-694
		EST WEIGHT:	SHEET 6 OF 6	DRAWING NO: A042J124

REV	ECO	DESCRIPTION OF REVISION	BY	DATE