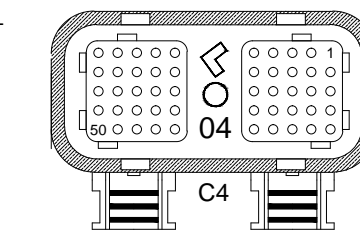
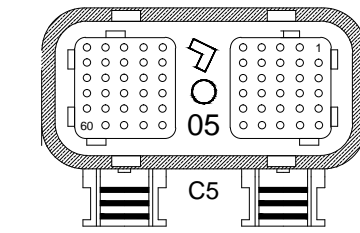
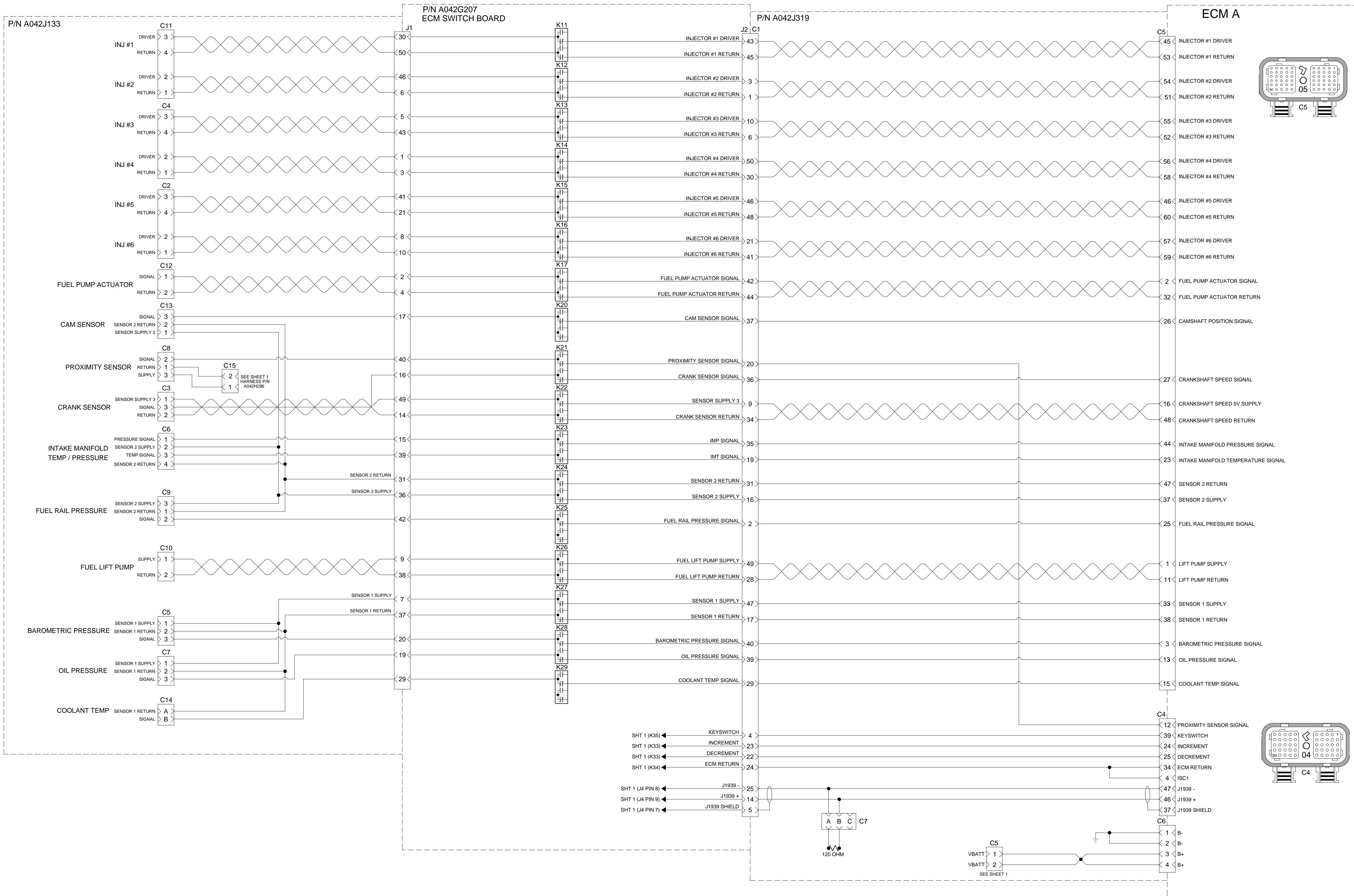


\*\*SEE SHEETS 2 & 3 FOR REMAINDER OF ECM SWITCH BOARD SCHEMATIC\*\*

|   |  |  |  |  |
|---|--|--|--|--|
| <small>This document contains confidential and trade secret information, is the property of Cummins NPower LLC and is given to the receiver in confidence. The receiver, by accepting and installing of this document, hereby agrees to maintain the confidentiality of this document. (1) not use the document or any parts thereof for the confidential or trade secret information herein. (2) not copy the document. (3) not disclose to others either the document or the confidential or trade secret information herein, and (4) use the document or any parts thereof, and the document or any parts thereof, in the operation of the engine, and of related issues hereon. ©2016 Cummins NPower LLC.</small> |  |  | CUMMINS NPOWER LLC<br>CORPORATE OFFICE<br>1600 BUEKLE ROAD<br>WHITE SEAM LAKE, ILL.<br>WWW.CUMMINSNPOWER.COM | CUSTOM DESIGN AND<br>UPLIFT CENTER<br>875 LAWRENCE DRIVE<br>DEPOE, WISCONSIN |
| UNLESS OTHERWISE SPECIFIED ALL DIMENSION TOLERANCES ARE:  |  |  |  |  |
| ANGULAR DIMENSIONS ± 1°<br>THIRD ANGLE PROJECTION   | IMPERIAL UNITS<br>FRACTIONAL<br>DECIMAL<br>MILLIMETERS | METRIC UNITS<br>MILLIMETERS<br>DECIMAL | DWG UNITS: INCH/LB/S<br>SCALE:   | DRAWN BY: KAK<br>DATE: 22 NOV 2016<br>INIT ECO: 2016-694                     |
| REV<br>ECO<br>DESCRIPTION OF REVISION<br>BY<br>DATE   | SHEET 1 OF 6<br>DRAWING NO: A042J123                   |  | SCHAEMATICS, OVERALL, CFP9E<br>FPDP GEN II   |  |



This document contains confidential and trade secret information, is the property of Cummins IPower LLC and is given to the receiver in confidence. The receiver is prohibited from disclosing this information to any third party without the prior written consent of Cummins IPower LLC. If you are not an authorized recipient, you should not disseminate, distribute, or use this information. If you are an authorized recipient, you should not disseminate, distribute, or use this information without the prior written consent of Cummins IPower LLC.

**Cummins IPower**  
 CUMMINS IPOWER LLC  
 CORPORATE OFFICE  
 1600 BUEKLE ROAD  
 WHITE SEAS LAKE, ILL.  
 WWW.CUMMINSPOWER.COM

CUSTOM DESIGN AND  
 LIFT CENTER  
 875 LAWRENCE DRIVE  
 DEPOE, WISCONSIN

**SHEMATIC, OVERALL, CFP9E  
 FPD GEN II**

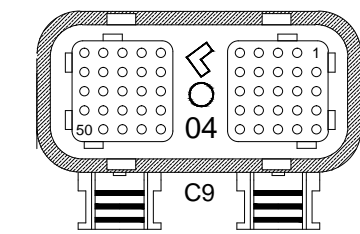
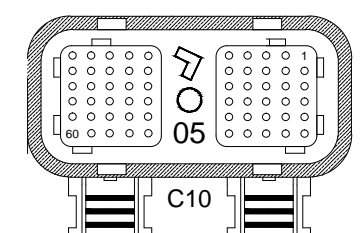
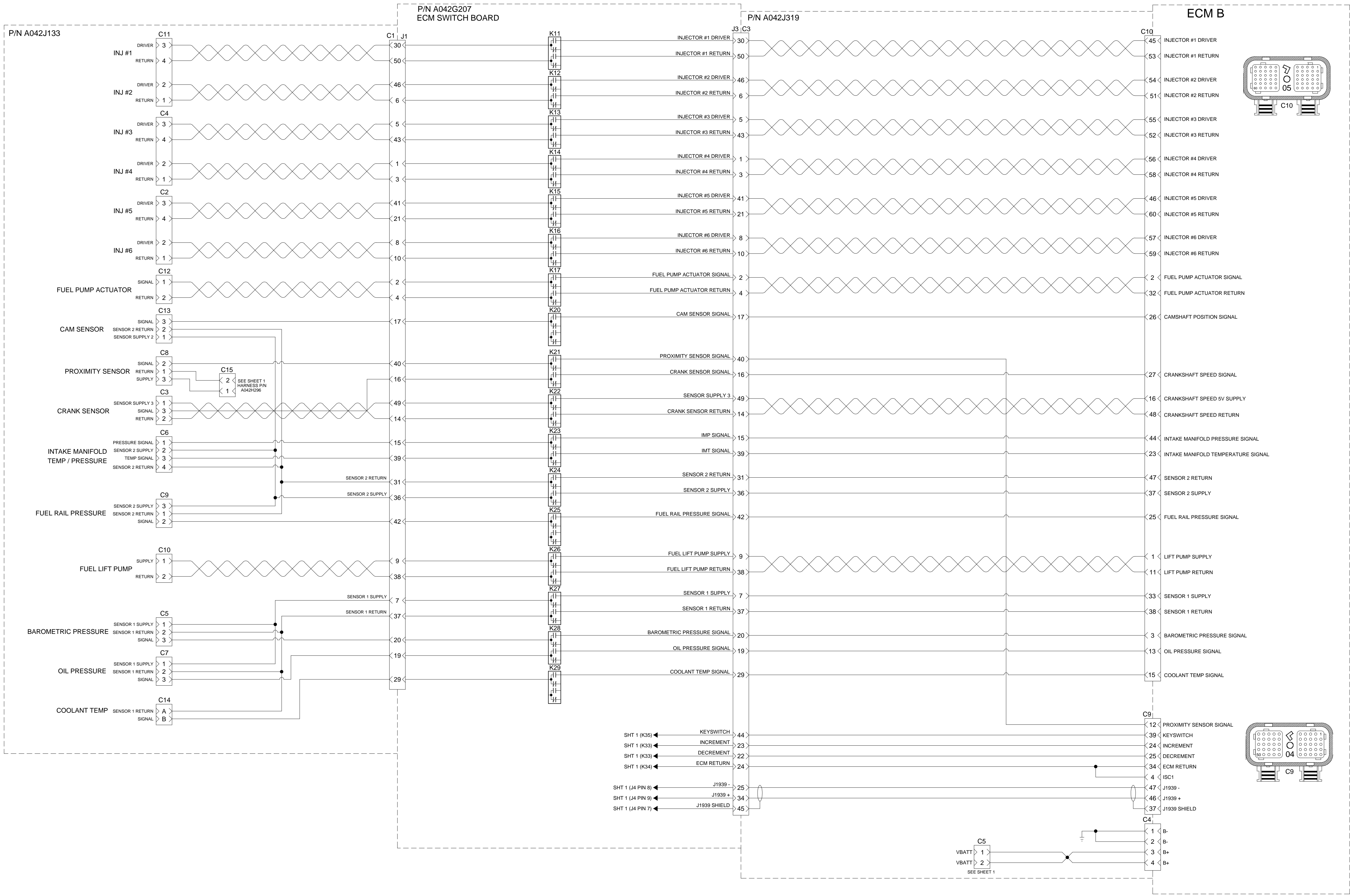
UNLESS OTHERWISE SPECIFIED ALL DIMENSION TOLERANCES ARE:  
 ANGULAR DIMENSIONS ± 1°  
 THIRD ANGLE PROJECTION  
 IMPERIAL UNITS: INCH/LB/S  
 METRIC UNITS: MM/KG

DWG UNITS: INCH/LB/S  
 SCALE: AS SHOWN  
 EST WEIGHT:

DRAWN BY: KAK  
 DATE: 22 NOV 2016  
 INIT ECO: 2016-694

SHEET 2 OF 6  
 DRAWING NO: A042J123

| REV | ECO | DESCRIPTION OF REVISION | BY | DATE |
|-----|-----|-------------------------|----|------|
|     |     |                         |    |      |



This document contains confidential and trade secret information, is the property of Cummins NPower LLC and is given to the receiver in confidence. The receiver is prohibited from disclosing or distributing this information outside of Cummins NPower, its affiliates, or its authorized representatives. If you are not an authorized representative, you should not disseminate, distribute, or use this information. If you are an authorized representative, you should not disseminate, distribute, or use this information without the prior written approval of Cummins NPower LLC. This document is not intended to be used as a substitute for any applicable laws, regulations, or standards. © 2016 Cummins NPower LLC.

**Cummins NPower**  
CORPORATE OFFICE  
1600 BUEKLE ROAD  
WHITE SEAR LAKE, IN  
WWW.CUMMINSPOWER.COM

CUSTOM DESIGN AND  
LIFT CENTER  
875 LAWRENCE DRIVE  
DEPOE, WISCONSIN

**SHEMATICS, OVERALL, CFP9E  
FPDP GEN II**

UNLESS OTHERWISE SPECIFIED ALL DIMENSION TOLERANCES ARE:  
ANGULAR DIMENSIONS ± 1°  
THIRD ANGLE PROJECTION  
IMPERIAL UNITS: INCH/LB/S  
METRIC UNITS: MM/KG

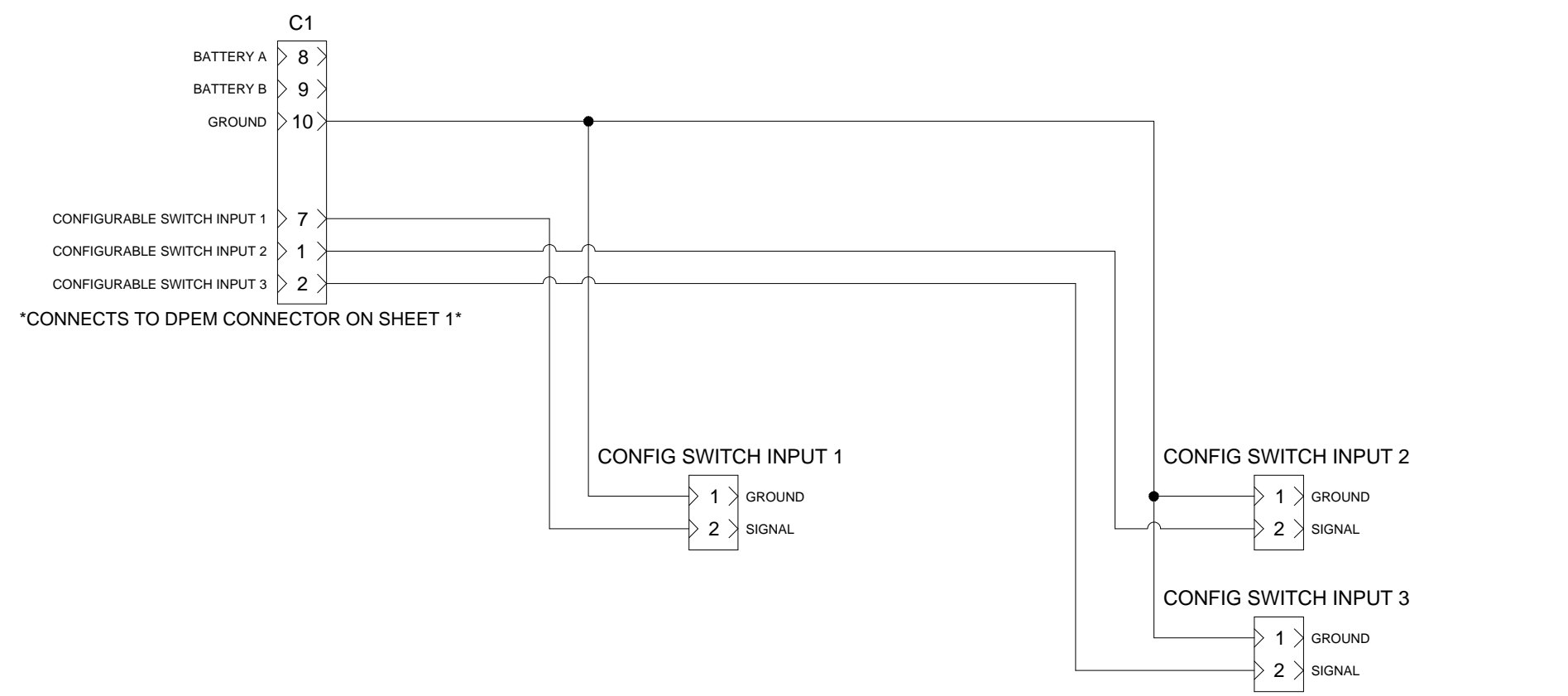
DWG UNITS: INCH/LB/S  
SCALE: EST WEIGHT:

DRAWN BY: KAK  
DATE: 22 NOV 2016  
INIT ECO: 2016-694

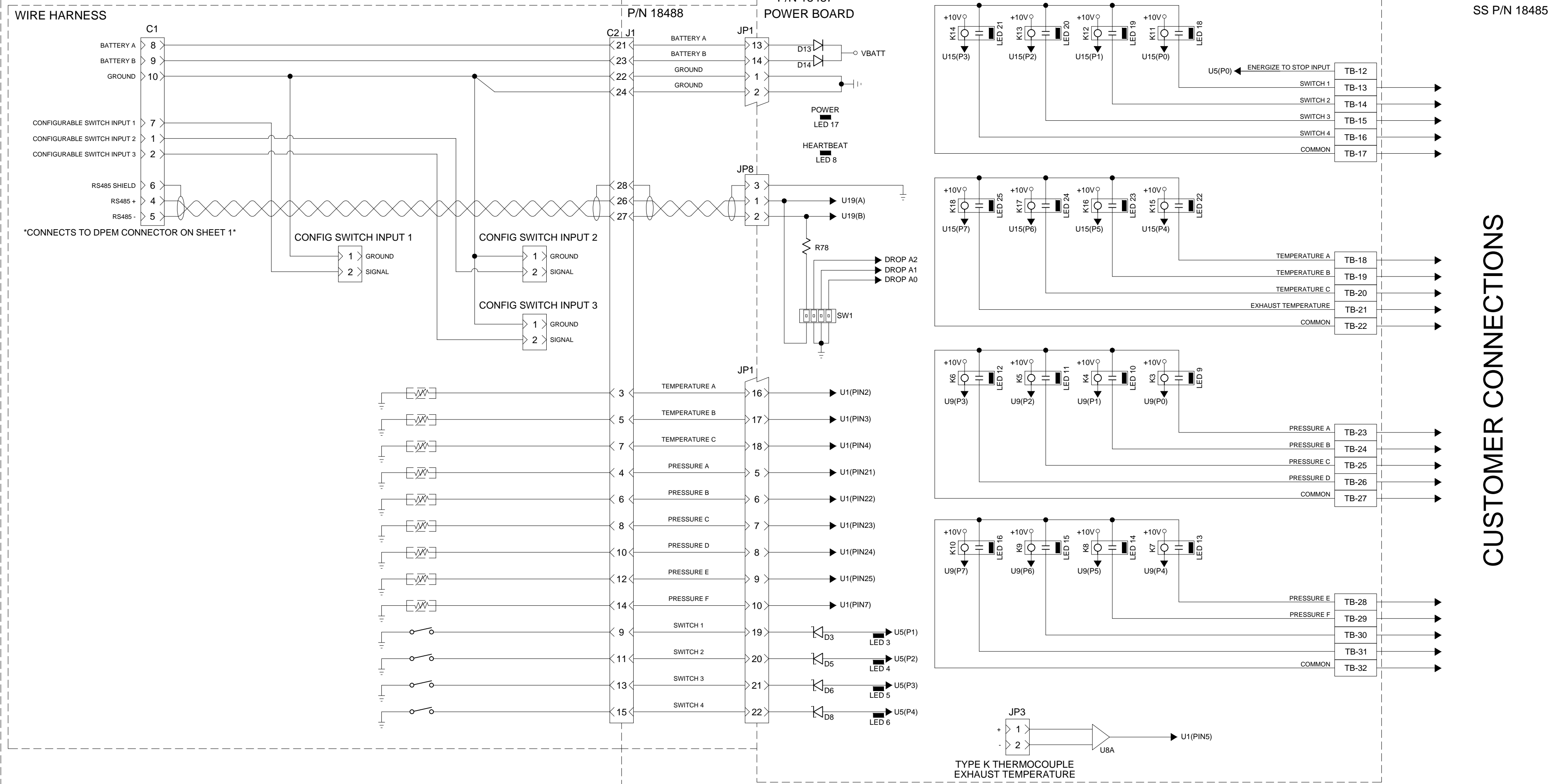
SHEET 3 OF 6  
DRAWING NO: A042J123

| REV | ECO | DESCRIPTION OF REVISION | BY | DATE |
|-----|-----|-------------------------|----|------|
|     |     |                         |    |      |

NO ASO OPTION WITH UP TO 3 SWITCHED INPUTS



DPDM OPTION WITH NO ASO



CUSTOMER CONNECTIONS

This document contains confidential and trade secret information in the property of Cummins IPower LLC and is given to the receiver in confidence. The receiver is prohibited from disclosing the information to any third party without the prior written consent of Cummins IPower LLC. If you are not the intended recipient, you should not disseminate, distribute, or use this information. If you have received this document in error, please notify the sender immediately by email at [ipower@cummins.com](mailto:ipower@cummins.com). This document is not intended to be used as a substitute for any applicable laws, regulations, or standards. Cummins IPower LLC is not responsible for any damage or loss resulting from the use of this information. © 2016 Cummins IPower LLC. All rights reserved.

**IPower**  
 CUMMINS IPOWER LLC  
 CORPORATE OFFICE  
 1600 BUERKLE ROAD  
 WHITE SEAR LAKE, IN  
 WWW.CUMMINSPOWER.COM

CUSTOM DESIGN AND  
 UFIT CENTER  
 875 LAWRENCE DRIVE  
 DEPOE, WISCONSIN

**SCHMATICS, OVERALL, CFP9E**  
**FPDP GEN II**

UNLESS OTHERWISE SPECIFIED ALL DIMENSION TOLERANCES ARE:  
 ANGULAR DIMENSIONS ± 1°  
 THIRD ANGLE PROJECTION  
 IMPERIAL UNITS: INCH/LB/S  
 METRIC UNITS: MM/KG

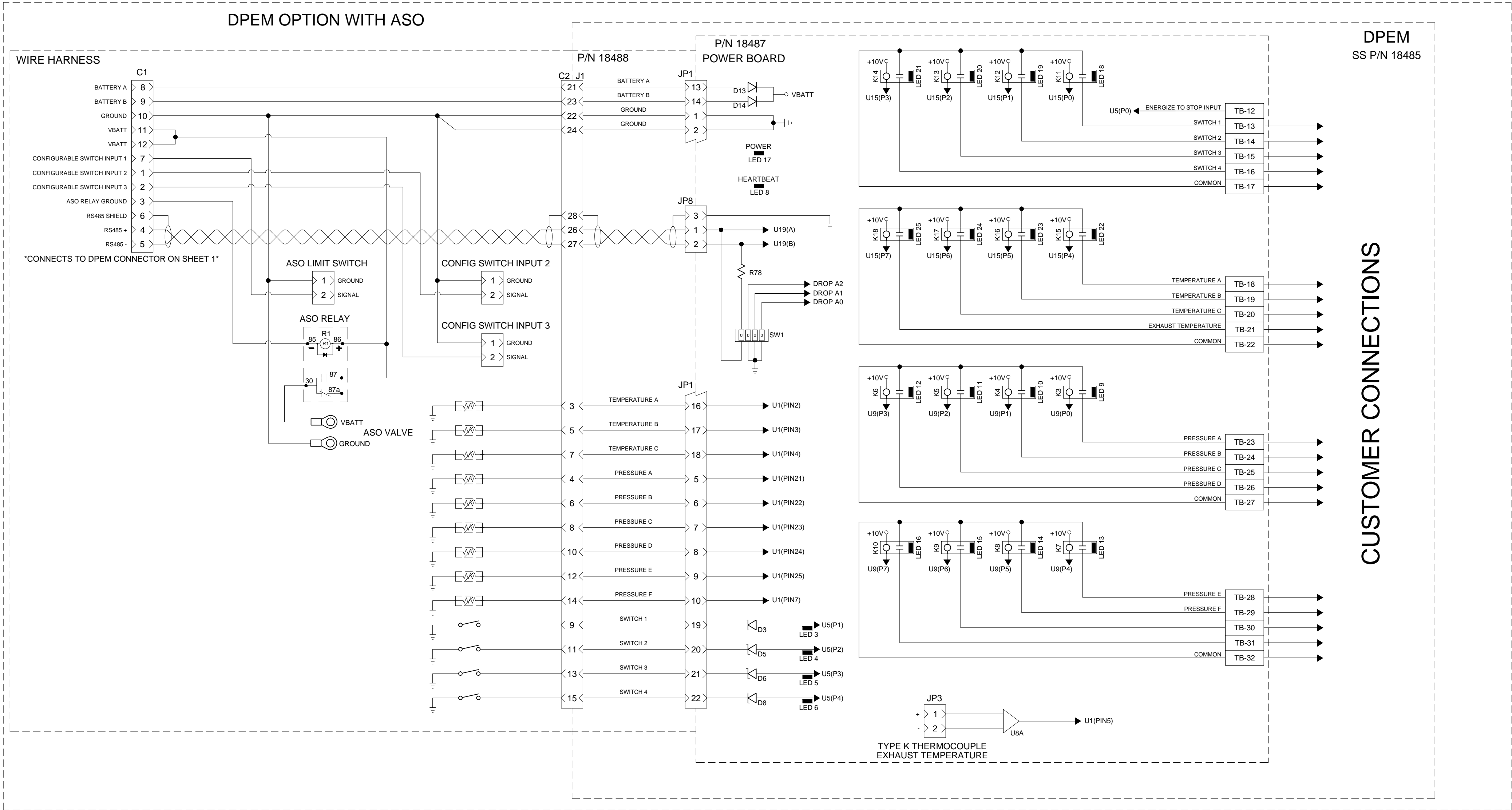
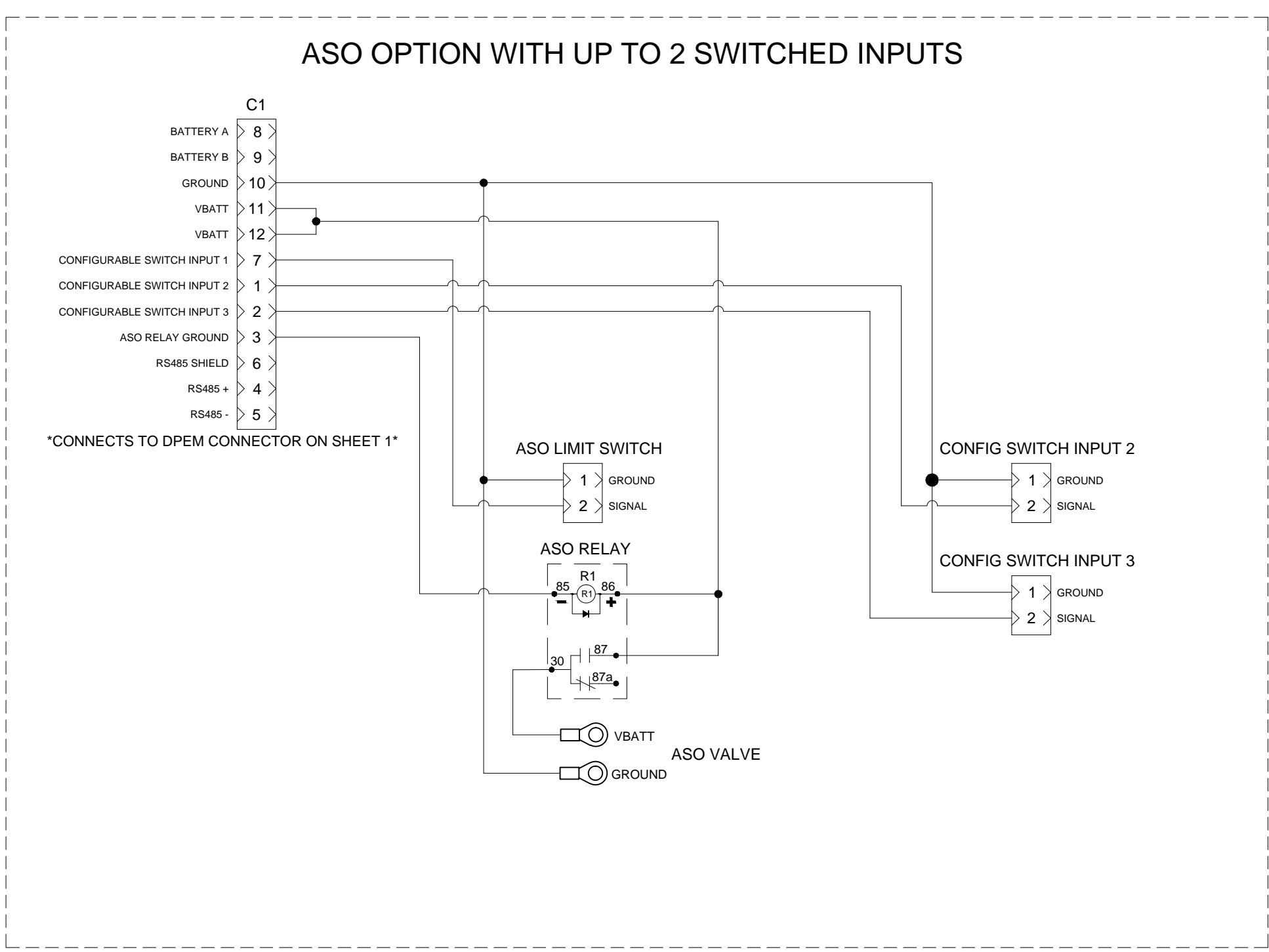
DWG UNITS: INCH/LB/S  
 SCALE: AS SHOWN  
 EST WEIGHT:

DATE: 22 NOV 2016  
 INIT ECO: 2016-694

SHEET 4 OF 6  
 DRAWING NO: A042J123

| REV | ECO | DESCRIPTION OF REVISION | BY | DATE |
|-----|-----|-------------------------|----|------|
|     |     |                         |    |      |

IF AIR SHUT-OFF (ASO) IS SELECTED, THE UL/FM LISTING IS REMOVED AS THIS OPTION IS NOT ALLOWED PER THE STANDARDS.



This document contains confidential and trade secret information in the property of Cummins NPower LLC and is given to the receiver in confidence. The receiver is prohibited from disclosing this information to any third party without the prior written consent of Cummins NPower LLC. If you are not the intended recipient, you should not disseminate, distribute or take any action in reliance on the information herein. If you have received this document in error, please notify the sender immediately by email at [info@cumminsnpower.com](mailto:info@cumminsnpower.com). Cummins NPower LLC, 1600 BUECKLE ROAD, WHITE SEAR LAKE, IN 46782. © 2016 Cummins NPower LLC. ALL RIGHTS RESERVED.

**Cummins NPower**  
 CUMMINS NPOWER LLC  
 CORPORATE OFFICE  
 1600 BUECKLE ROAD  
 WHITE SEAR LAKE, IN  
 WWW.CUMMINSNPOWER.COM

CUSTOM DESIGN AND  
 UPPIT CENTER  
 875 LAWRENCE DRIVE  
 DEPOE, WISCONSIN

SCHEMATICS, OVERALL, CFP9E  
 FPDG GEN II

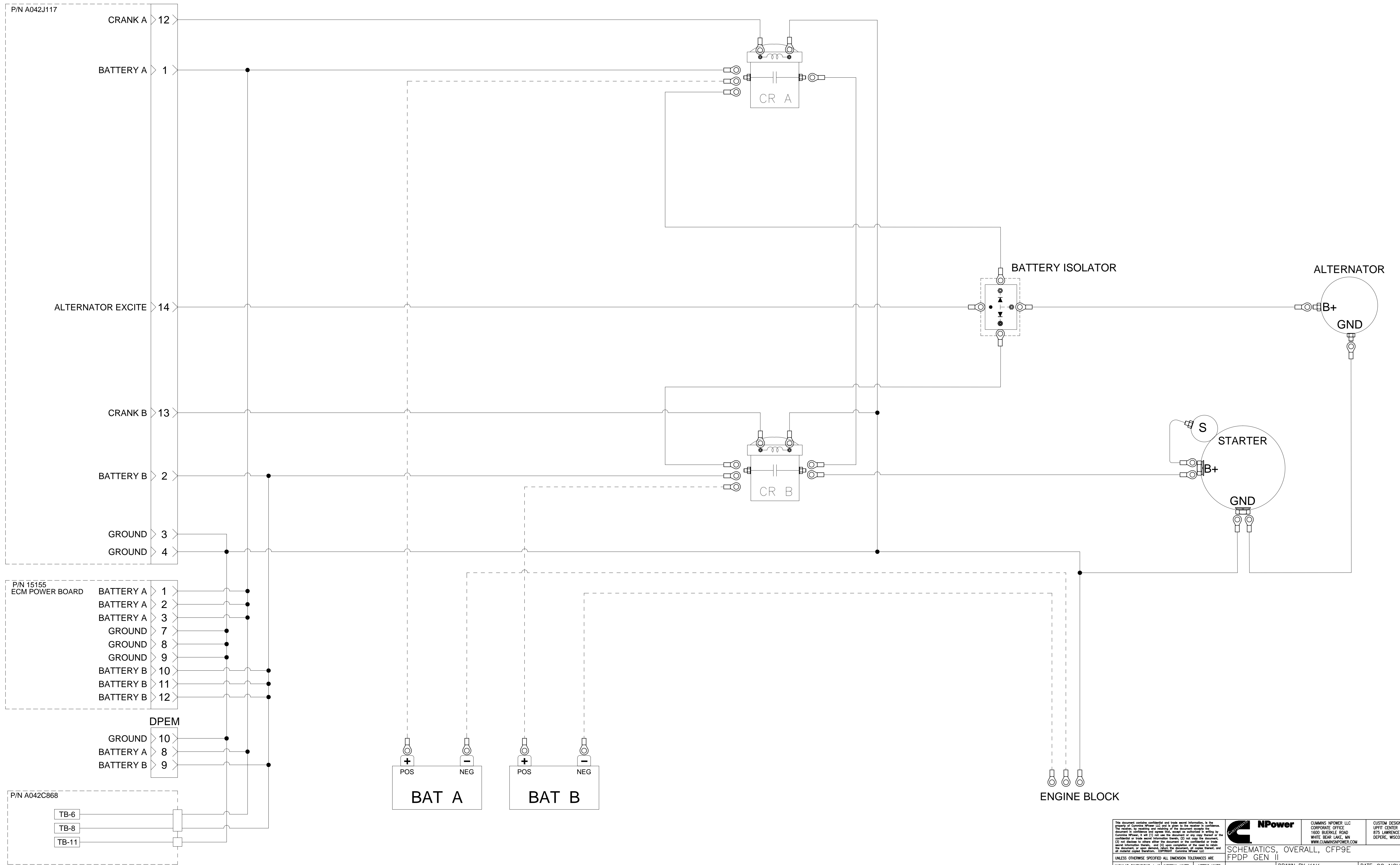
UNLESS OTHERWISE SPECIFIED ALL DIMENSION TOLERANCES ARE:  
 ANGULAR DIMENSIONS ± 1°  
 THIRD ANGLE PROJECTION  
 IMPERIAL UNITS: INCH/LB/S  
 METRIC UNITS: MM/KG

DWG UNITS: INCH/LB/S  
 SCALE: 1:1  
 EST WEIGHT:

DATE: 22 NOV 2016  
 INIT ECO: 2016-694

SHEET 5 OF 6  
 DRAWING NO: A042J123

| REV | ECO | DESCRIPTION OF REVISION | BY | DATE |
|-----|-----|-------------------------|----|------|
|     |     |                         |    |      |



|   |   |   |  |  |
|---|---|---|--|--|
| <small>This document contains confidential and trade secret information, is the property of Cummins NPower LLC and is given to the receiver in confidence. The receiver, by accepting and installing of this document, accepts liability to Cummins NPower, it will (1) not use the document or any info thereof or the confidential or trade secret information herein, (2) not copy the document, the document, or any electronic, hard or software, or other means, and all material herein. COPYRIGHT © Cummins NPower LLC.</small> |   |   | <b>CUMMINS NPOWER LLC</b><br>CORPORATE OFFICE<br>1600 BUERKLE ROAD<br>WHITE SEAR LAKE, ILL.<br>WWW.CUMMINSNPOWER.COM | CUSTOM DESIGN AND<br>UPLIFT CENTER<br>875 LAWRENCE DRIVE<br>DEPOE, WISCONSIN |
| <b>SCHMATICS, OVERALL, CFP9E</b><br>FPDP GEN II   |   |   |  |  |
| <small>UNLESS OTHERWISE SPECIFIED ALL DIMENSION TOLERANCES ARE:</small>   |   | DWG UNITS: <b>INCH/LB/S</b> DRAWN BY: <b>KAK</b> DATE: 22 NOV 2016<br>SCALE:    EST WEIGHT:    INIT ECO: 2016-694 |  |  |
| <small>ANGULAR DIMENSIONS ± 1°</small><br><small>THIRD ANGLE PROJECTION</small>   | <small>IMPERIAL UNITS</small><br><small>± 0.005</small><br><small>± 0.010</small><br><small>± 0.015</small> | <small>METRIC UNITS</small><br><small>± 0.10</small><br><small>± 0.20</small><br><small>± 0.30</small>            | SHEET 6 OF 6    DRAWING NO: A042J123   |  |

| REV | ECO | DESCRIPTION OF REVISION | BY | DATE |
|-----|-----|-------------------------|----|------|
|     |     |                         |    |      |