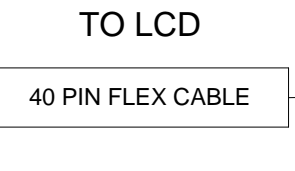
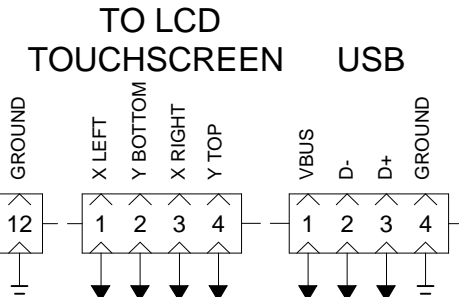
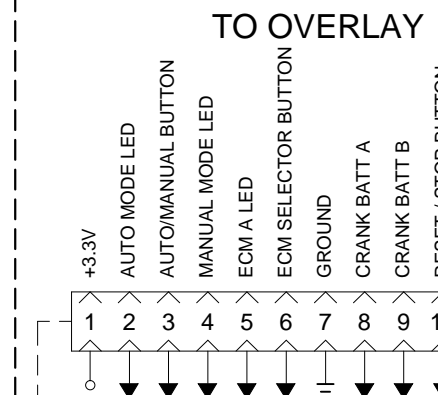
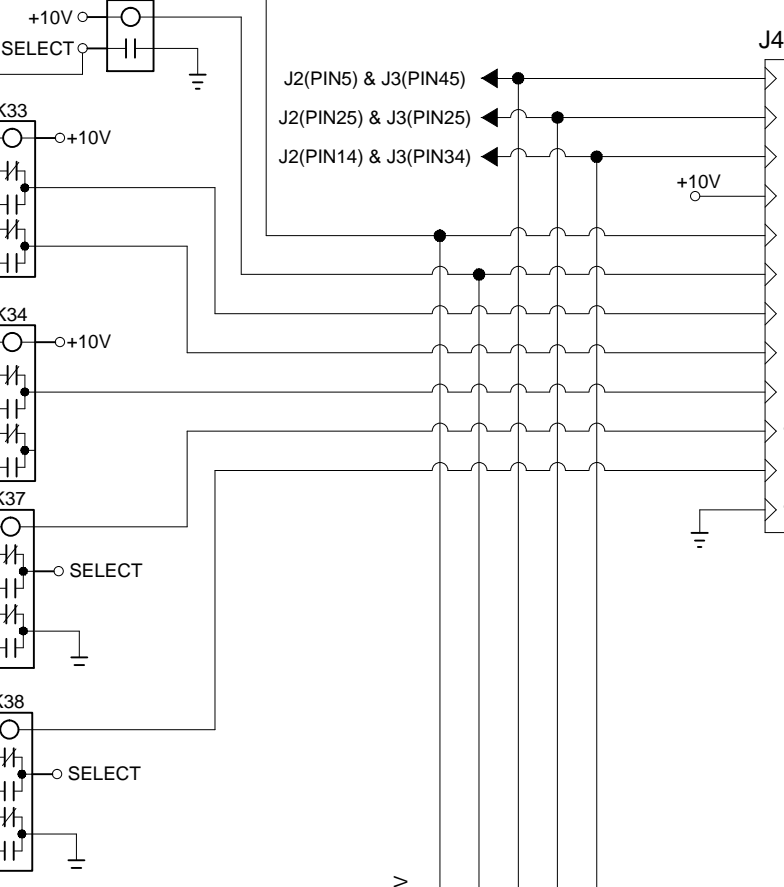


FPDP GEN II
CS P/N A042G185
SS P/N A042G187

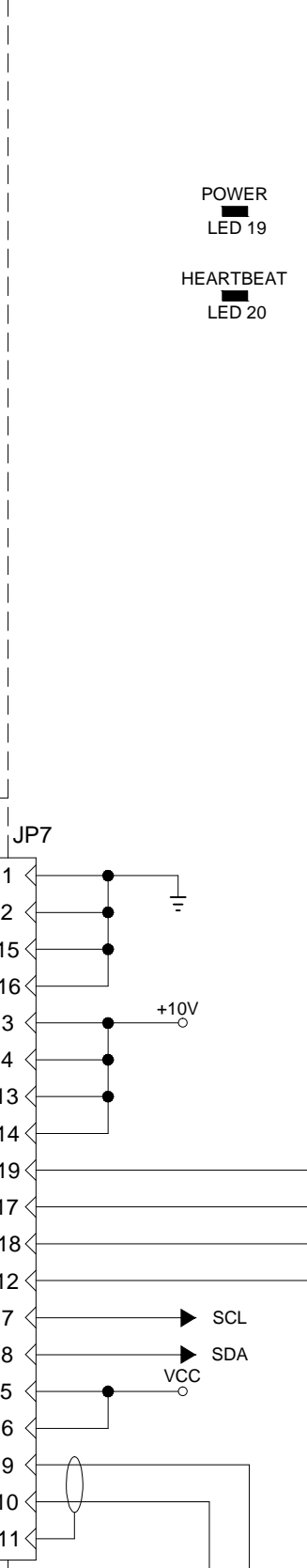


P/N A042G195
DISPLAY BOARD

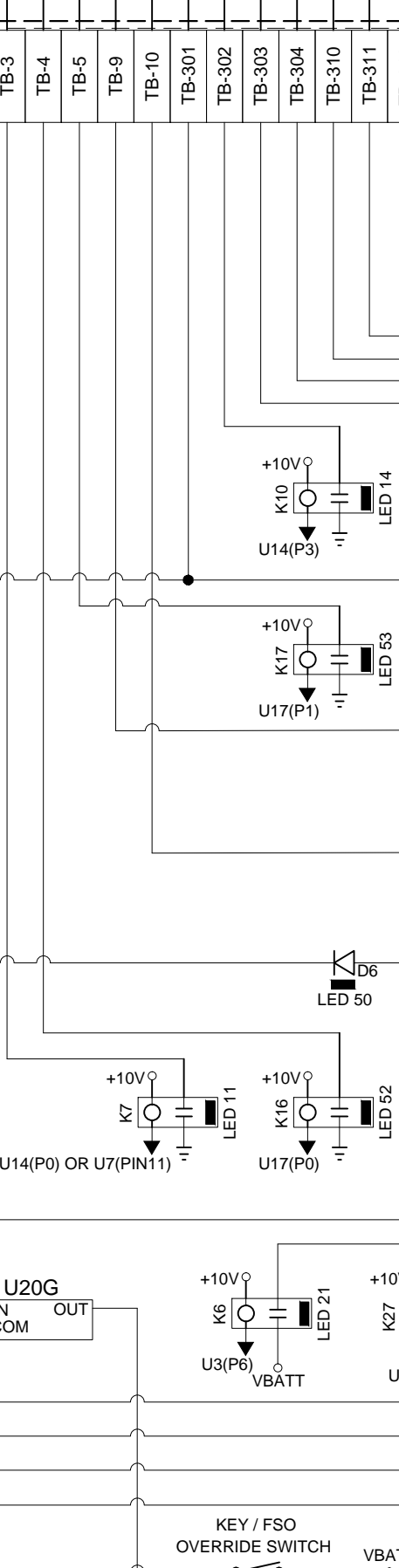
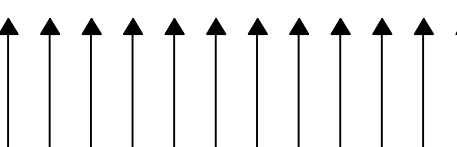


TO ADDITIONAL SWITCH BOARDS

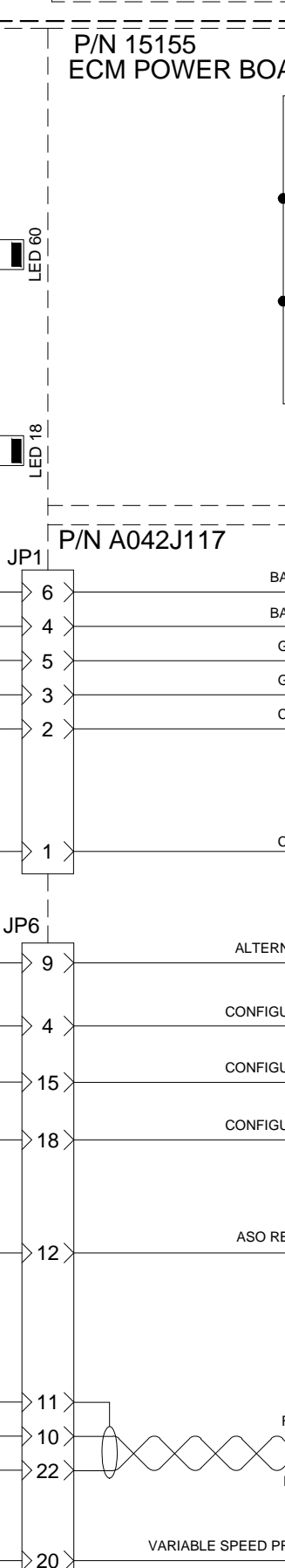
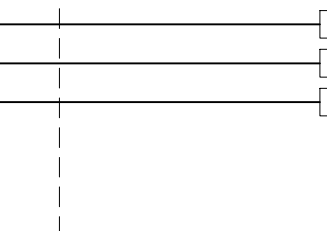
P/N A042G196
POWER BOARD



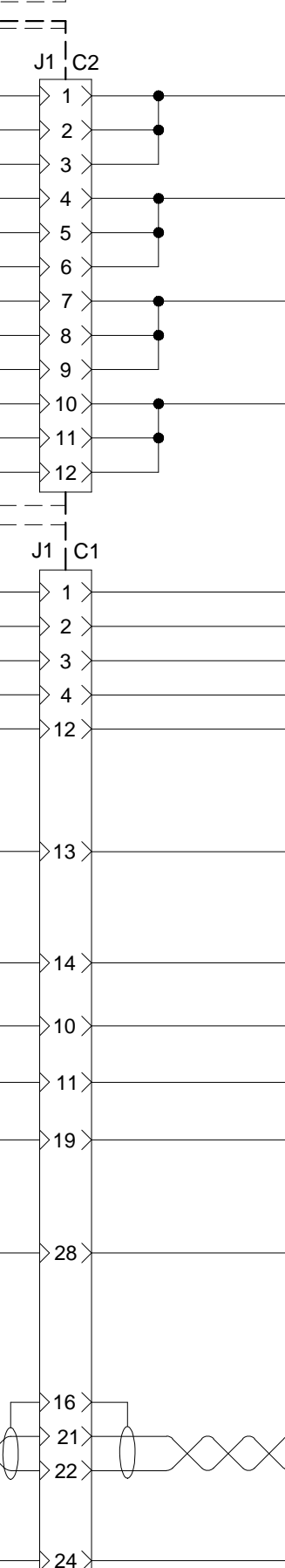
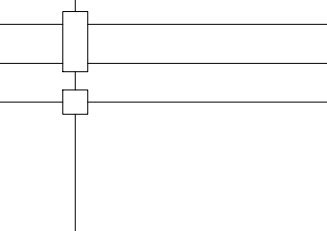
TO PUMP CONTROLLER



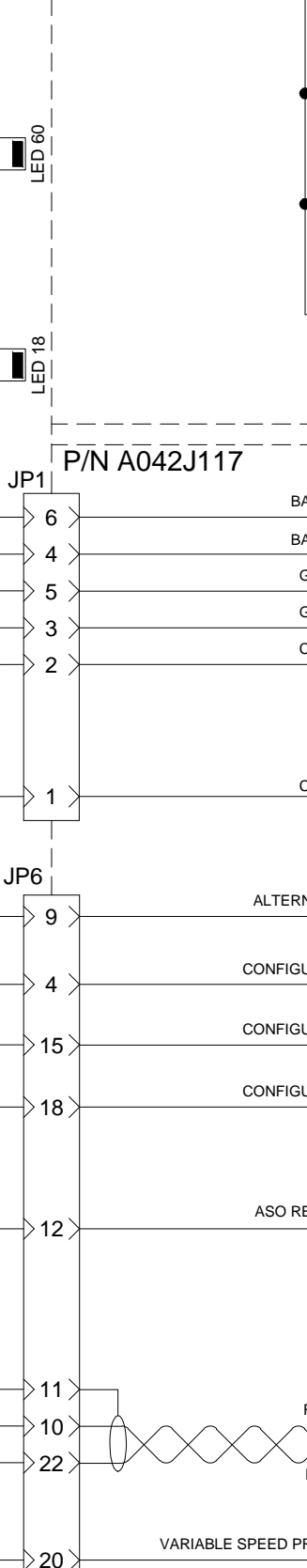
P/N A042C868



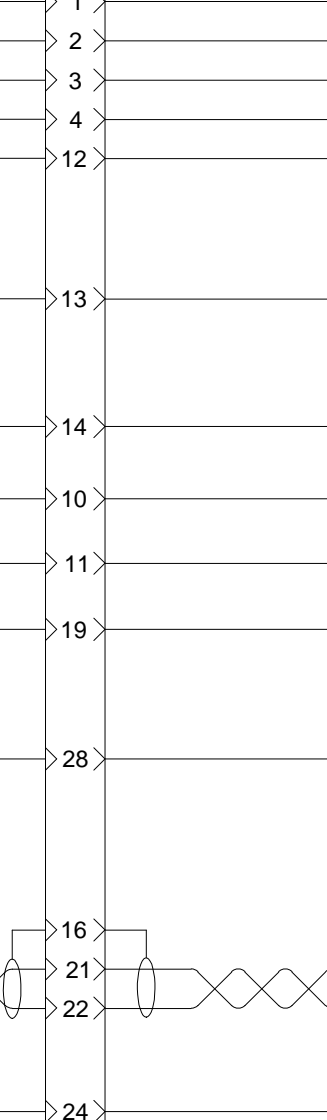
P/N A042H299



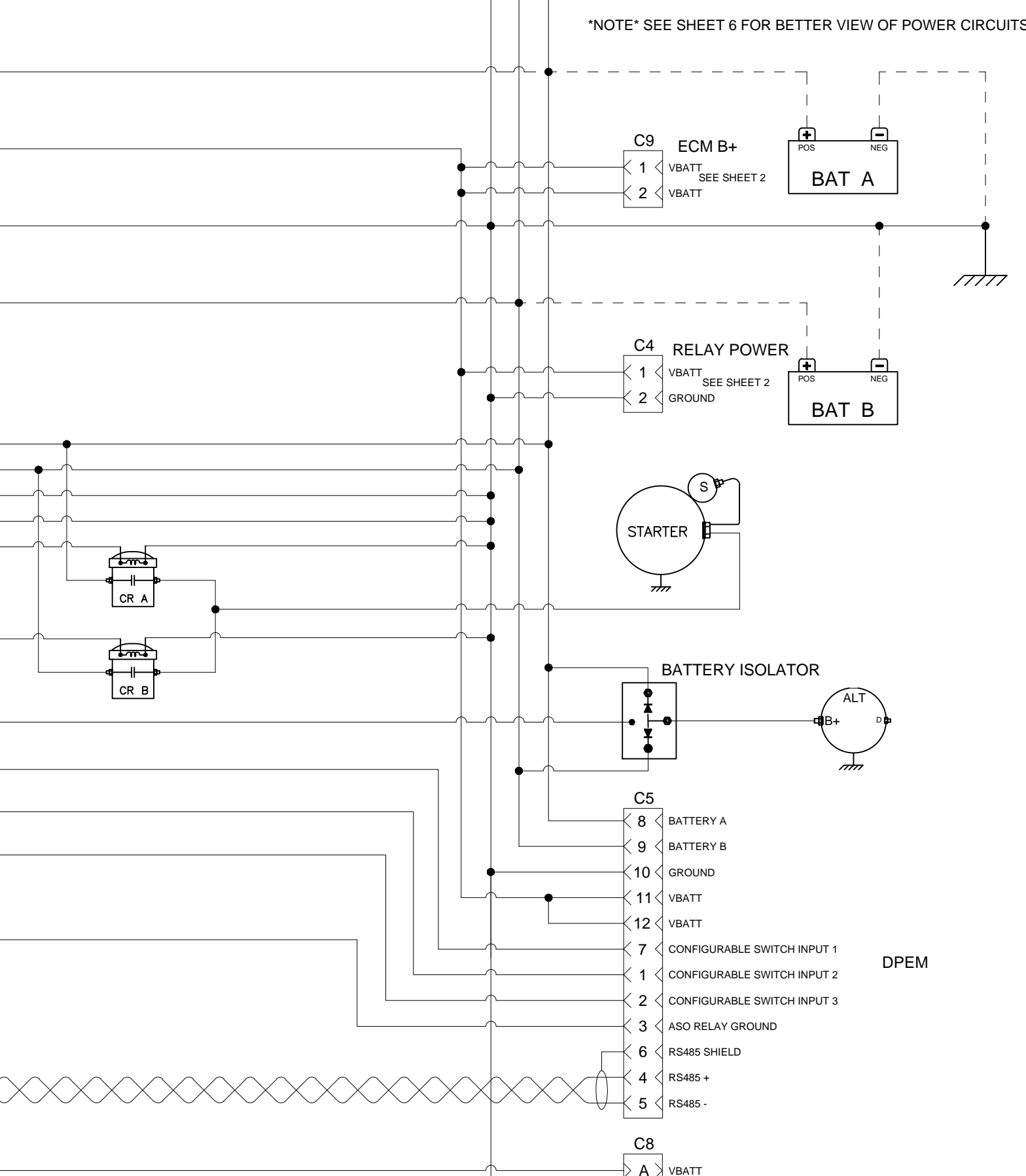
P/N 15155
ECM POWER BOARD



P/N A042J117



NOTE SEE SHEET 6 FOR BETTER VIEW OF POWER CIRCUITS



****SEE SHEETS 2 & 3 FOR REMAINDER OF ECM SWITCH BOARD SCHEMATIC****

This document contains confidential and trade secret information, is the property of Cummins NPower LLC and is loaned to the receiver in confidence. The receiver is prohibited from disclosing this information to any third party without the prior written consent of Cummins NPower LLC. If you are not the intended recipient, you should not disseminate, distribute or take any action in reliance on the information herein. If you have received this document in error, please notify the sender immediately by email at customer.support@cummins.com. All rights reserved. © 2016 Cummins NPower LLC.

Cummins NPower
CORPORATE OFFICE
1600 BUEKLE ROAD
WHITE SEAR LAKE, ILL.
WWW.CUMMINSPOWER.COM

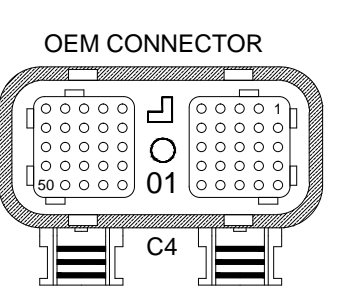
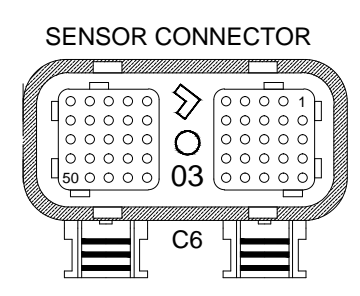
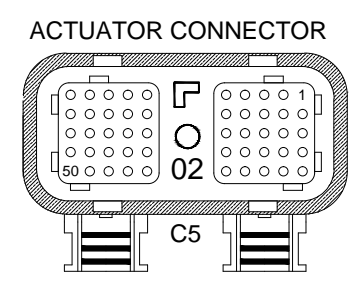
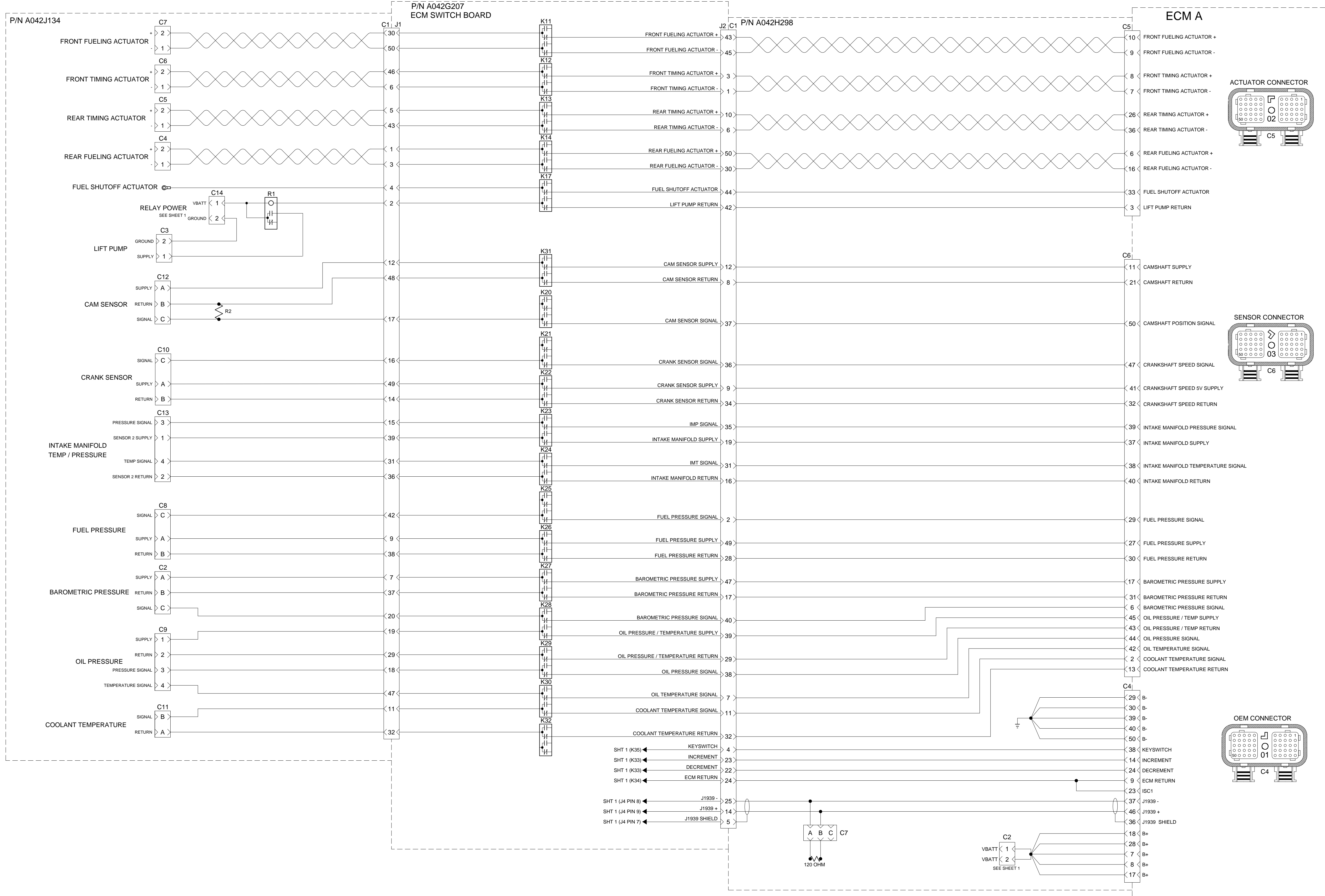
CUSTOM DESIGN AND
UPFIT CENTER
875 LAWRENCE DRIVE
DEPORE, WISCONSIN

SHEMATICS, OVERALL, CFP15E
FPDP GEN II

UNLESS OTHERWISE SPECIFIED ALL DIMENSION TOLERANCES ARE:
ANGULAR DIMENSIONS ± 1°
THIRD ANGLE PROJECTION
IMPERIAL UNITS: INCH/LB/S
METRIC UNITS: MM/KG

DWG UNITS: INCH/LB/S
SCALE: EST WEIGHT:
DRAWN BY: KAK
SHEET 1 OF 6
DATE: 22 NOV 2016
INIT ECO: 2016-694
DRAWING NO: A042J125

REV	ECO	DESCRIPTION OF REVISION	BY	DATE



This document contains confidential and trade secret information, is the property of Cummins NPower LLC and is given to the receiver in confidence. The receiver, by accepting and installing of this document, accepts liability to Cummins NPower, it will (1) not use the document or any info thereof or the confidential or trade secret information therein, (2) not copy the document, (3) not disclose to others either the document or the confidential or trade secret information therein, and (4) upon request of the sender to return the document, or any electronic, hard or soft copy of the document, and all material thereon. COPYRIGHT Cummins NPower LLC.

UNLESS OTHERWISE SPECIFIED ALL DIMENSION TOLERANCES ARE:

ANGULAR DIMENSIONS ± 1°	IMPERIAL UNITS	METRIC UNITS
0.0005	0.0005	0.0127
0.0010	0.0010	0.0254
0.0020	0.0020	0.0508
0.0050	0.0050	0.1270
0.0100	0.0100	0.2540
0.0150	0.0150	0.3810
0.0300	0.0300	0.7620
0.0600	0.0600	1.5240
0.1200	0.1200	3.0480
0.2500	0.2500	6.3500
0.5000	0.5000	12.7000
1.0000	1.0000	25.4000
2.0000	2.0000	50.8000
5.0000	5.0000	127.0000
10.0000	10.0000	254.0000
25.0000	25.0000	635.0000
50.0000	50.0000	1270.0000
100.0000	100.0000	2540.0000
250.0000	250.0000	6350.0000
500.0000	500.0000	12700.0000
1000.0000	1000.0000	25400.0000

SCHEMATICS, OVERALL, CFP15E
FPDP GEN II

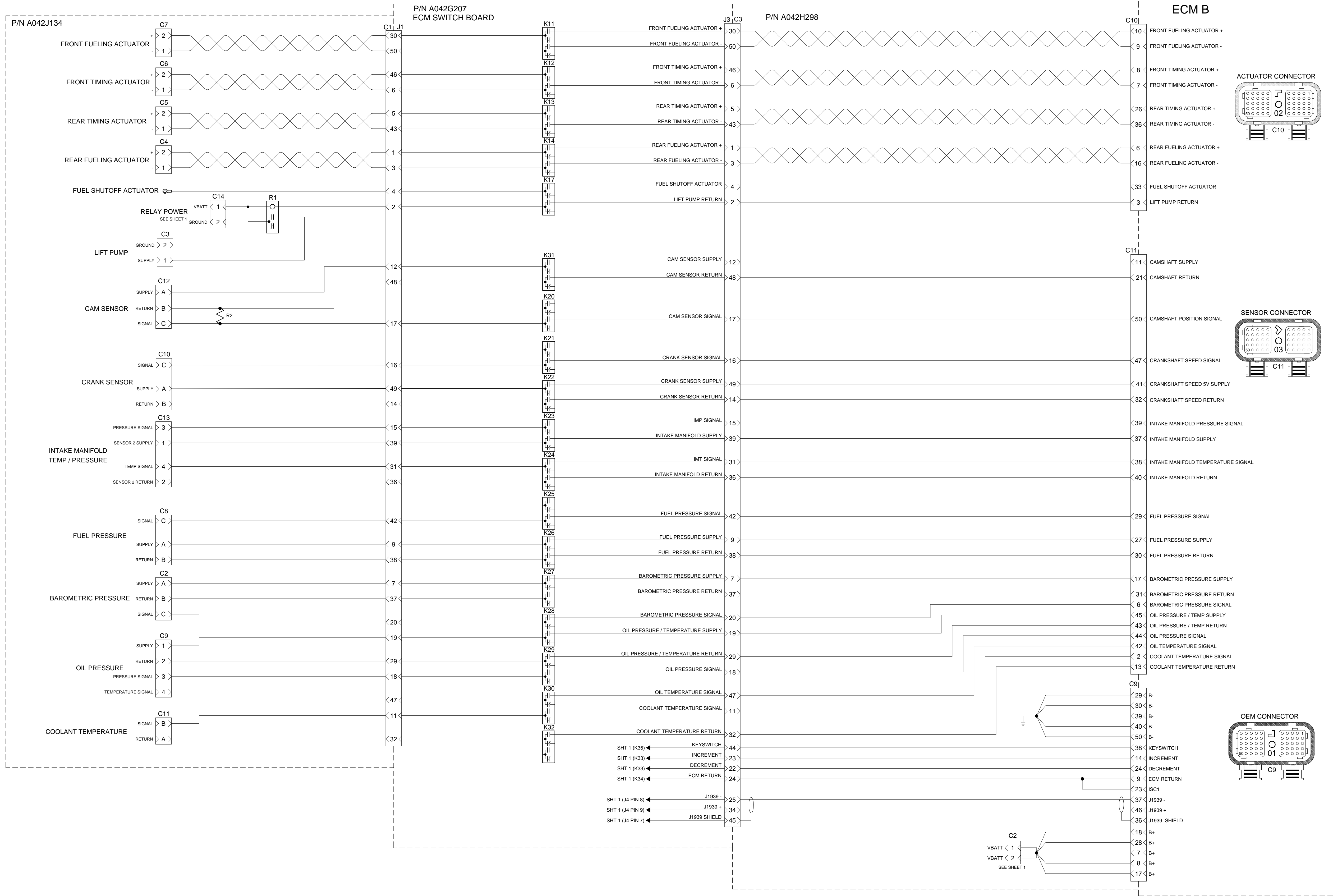
IMPRES **NPower** CUMMINS NPPOWER LLC CORPORATE OFFICE 1600 BUEKLE ROAD WHITE BEAR LAKE, ILL. WWW.CUMMINSNPPOWER.COM

CUSTOM DESIGN AND LIFT CENTER 875 LAWRENCE DRIVE DEPOE, WISCONSIN

DWG UNITS: INCH/LB/S DRAWN BY: KAK DATE: 22 NOV 2016
 INIT ECO: 2016-694

SCALE: SHEET 2 OF 6 DRAWING NO: A042J125

REV	ECO	DESCRIPTION OF REVISION	BY	DATE



This document contains confidential and trade secret information, is the property of Cummins NPower LLC and is given to the receiver in confidence. The receiver is prohibited from disclosing this information to any third party without the prior written consent of Cummins NPower LLC. If you are not an intended recipient, you should not disseminate, distribute or copy this document. If you have received this document by mistake, please notify the sender immediately by e-mail at www.cumminsnpower.com. This document is not intended to be used for any other purpose than the specific use intended by Cummins NPower LLC.

Cummins NPower
 CUMMINS NPOWER LLC
 CORPORATE OFFICE
 1600 BUEKLE ROAD
 WHITE BEAR LAKE, ILL.
 WWW.CUMMINSNPOWER.COM

CUSTOM DESIGN AND
 LIFT CENTER
 875 LAWRENCE DRIVE
 DEPOE, WISCONSIN

SCHMATIC, OVERALL, CFP15E
FPDP GEN II

UNLESS OTHERWISE SPECIFIED ALL DIMENSION TOLERANCES ARE:
 ANGULAR DIMENSIONS ± 1°
 THIRD ANGLE PROJECTION
 IMPERIAL UNITS: INCH/LB/S
 METRIC UNITS: MM/KG

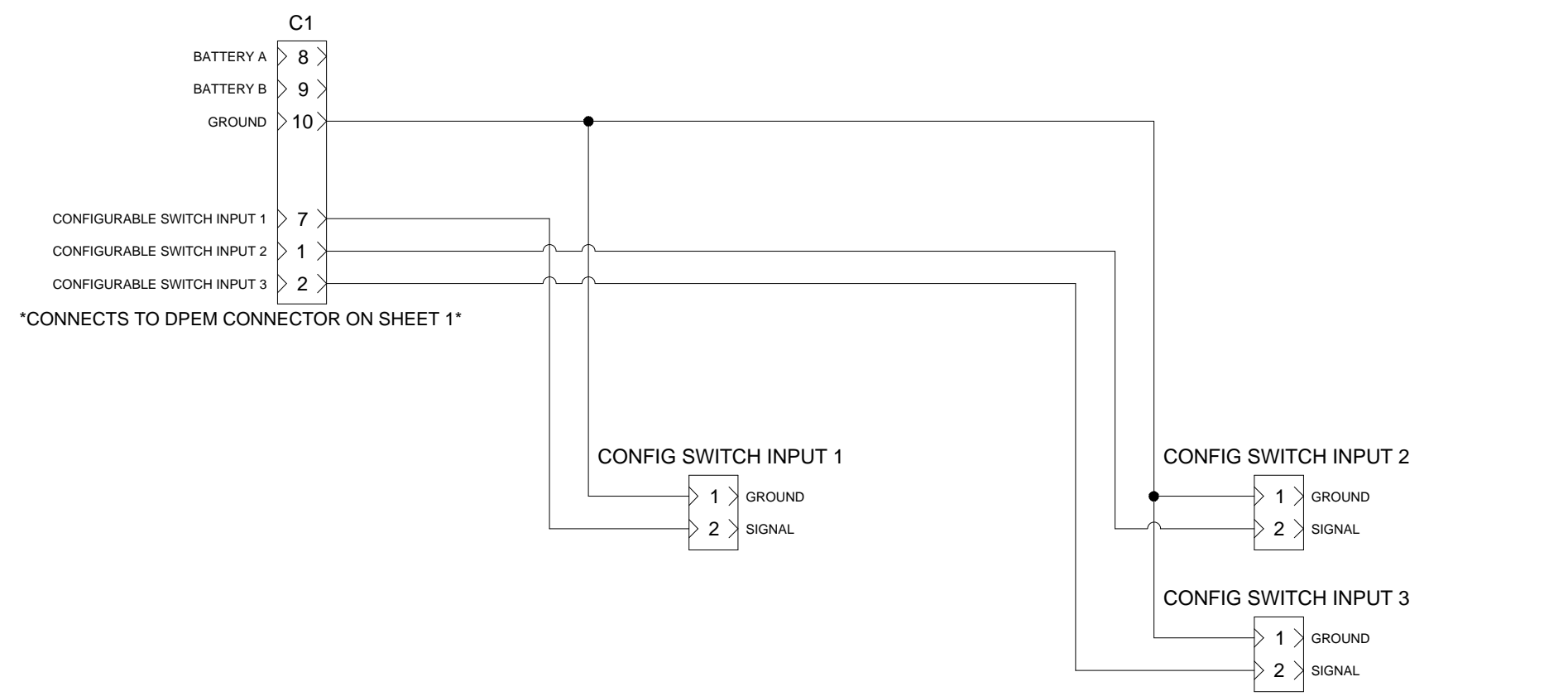
DWG UNITS: INCH/LB/S
 SCALE: AS SHOWN
 EST WEIGHT:

DRAWN BY: KAK
 DATE: 22 NOV 2016
 INIT ECO: 2016-694

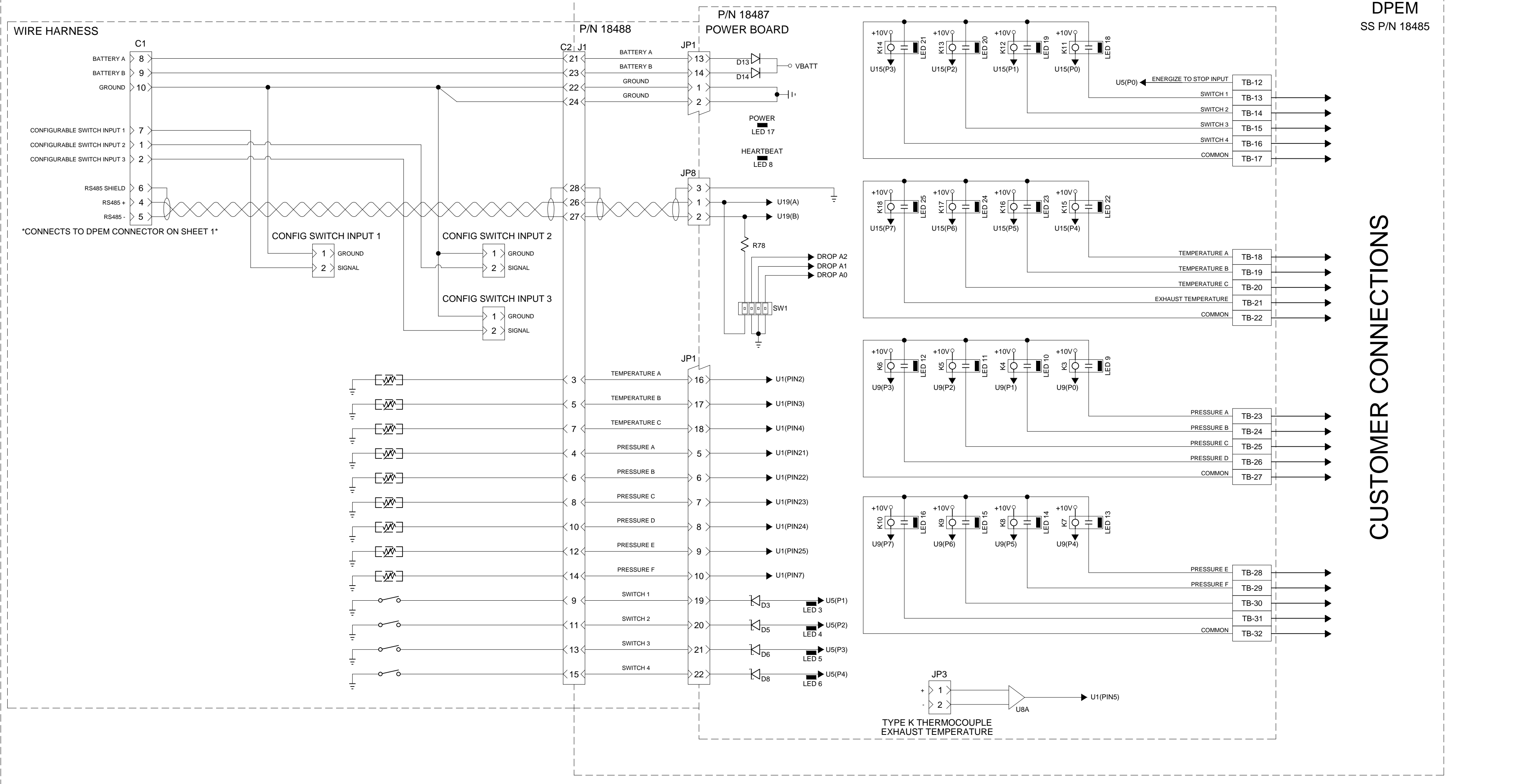
SHEET 3 OF 6
 DRAWING NO: A042J125

REV	ECO	DESCRIPTION OF REVISION	BY	DATE

NO ASO OPTION WITH UP TO 3 SWITCHED INPUTS



DPEM OPTION WITH NO ASO

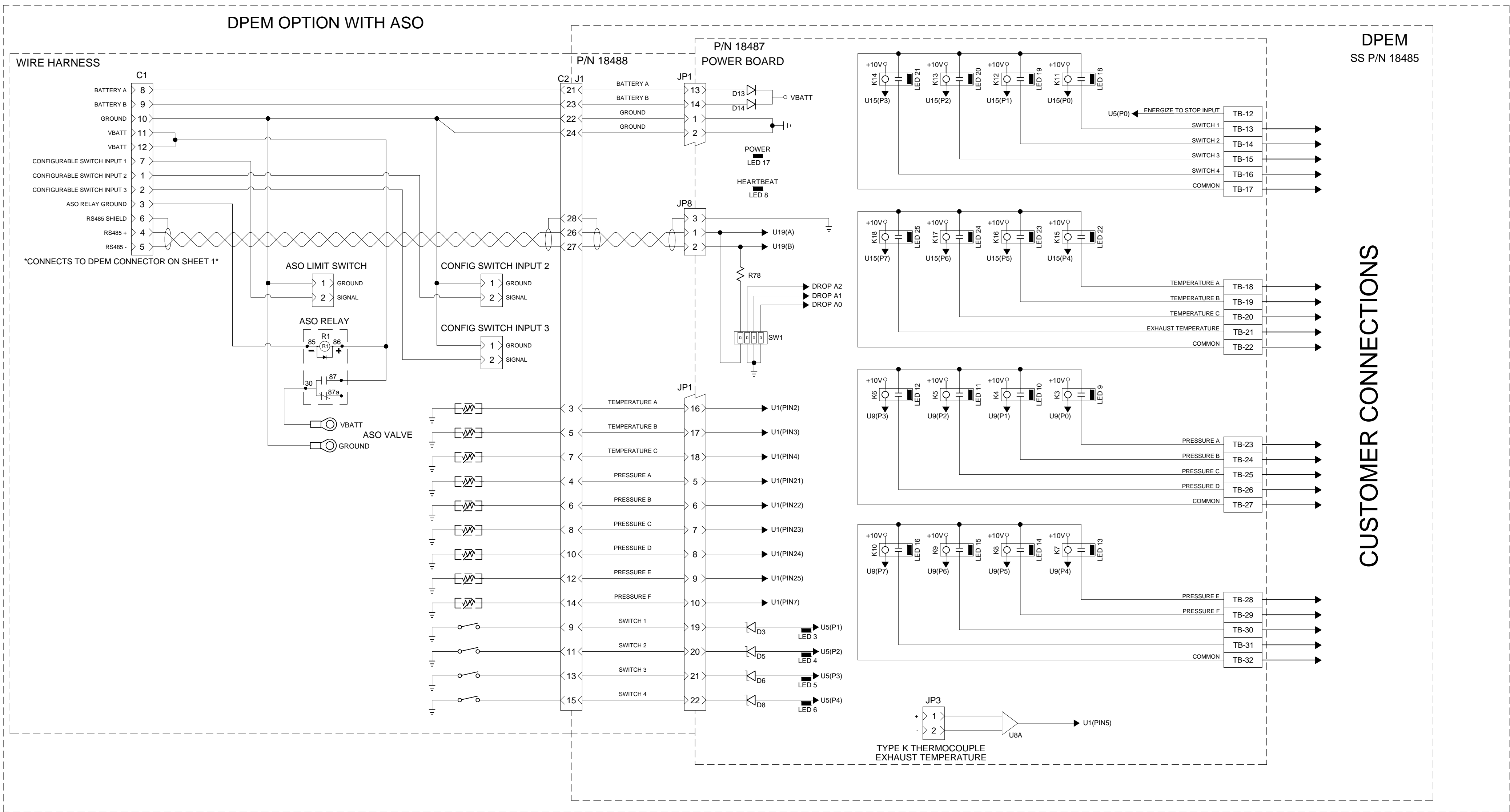
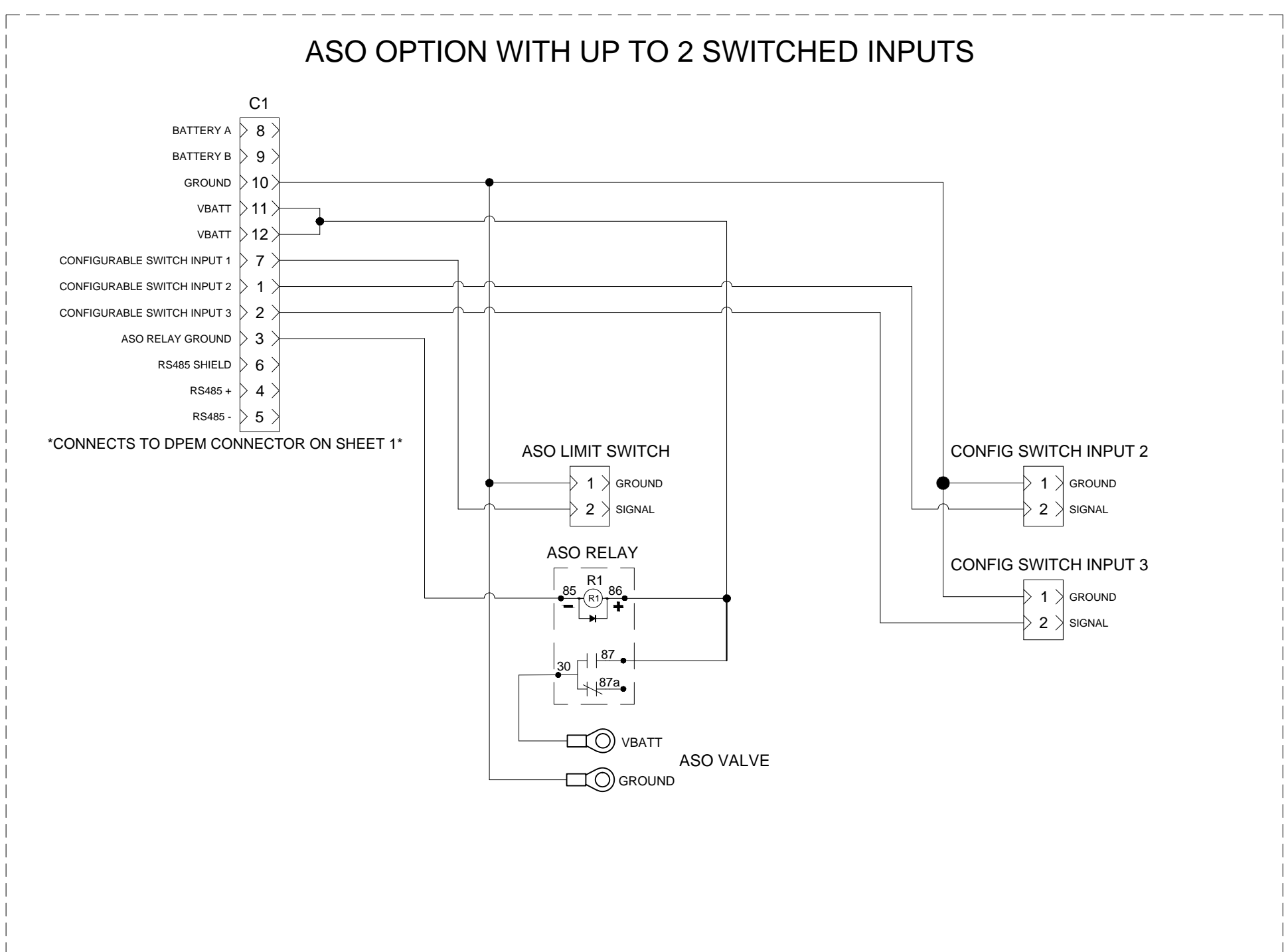


CUSTOMER CONNECTIONS

This document contains confidential and trade secret information in the property of Cummins NPower LLC and is given to the receiver in confidence. The receiver is prohibited from disclosing this information to any third party without the prior written consent of Cummins NPower LLC. If you are not an authorized recipient, you are notified that disclosing, copying, distributing, taking action in reliance on, or taking any action in reliance on the information contained herein is strictly prohibited. © 2016 Cummins NPower LLC.

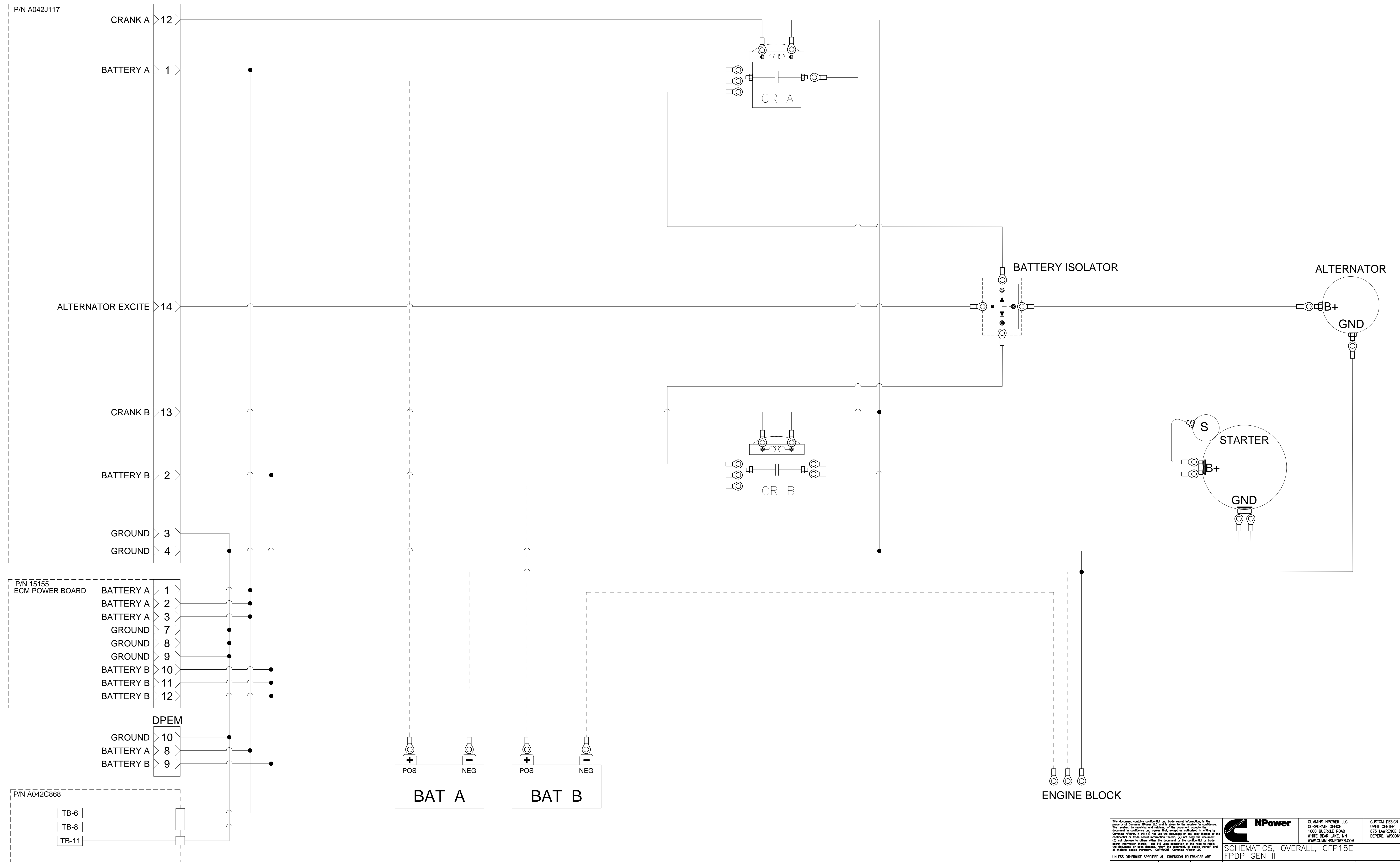
NPower	CUMMINS NPOWER LLC CORPORATE OFFICE 1600 BUERKLE ROAD WHITE SEAR LAKE, IN WWW.CUMMINSNPOWER.COM	CUSTOM DESIGN AND LIFT CENTER 875 LAWRENCE DRIVE DEPOE, WISCONSIN
SCHEMATICS, OVERALL, CFP15E FPDP GEN II		
UNLESS OTHERWISE SPECIFIED ALL DIMENSION TOLERANCES ARE:	ANGULAR DIMENSIONS ± 1°	IMPERIAL UNITS: INCH/LB/S
THIRD ANGLE PROJECTION	METRIC UNITS: MM/KG	DWG UNITS: DRAWN BY: KAK DATE: 22 NOV 2016
		INIT ECO: 2016-694
		SCALE: SHEET 4 OF 6 DRAWING NO: A042J125
REV	ECO	DESCRIPTION OF REVISION

IF AIR SHUT-OFF (ASO) IS SELECTED, THE UL/FM LISTING IS REMOVED AS THIS OPTION IS NOT ALLOWED PER THE STANDARDS.



CUSTOMER CONNECTIONS

<small>This document contains confidential and trade secret information in the property of Cummins NPower LLC and is given to the receiver in confidence. The receiver is prohibited from disclosing this information to any third party without the prior written consent of Cummins NPower LLC. If you are not the intended recipient, you should not disseminate, distribute or take any action in reliance on the information herein. If you have received this document in error, please notify the sender immediately by email at customer.support@cummins.com. All rights reserved. © 2016 Cummins NPower LLC.</small>			CUMMINS NPOWER LLC CORPORATE OFFICE 1600 BUERKLE ROAD WHITE SEAR LAKE, IN WWW.CUMMINSNPOWER.COM	CUSTOM DESIGN AND UPLIFT CENTER 875 LAWRENCE DRIVE DEPOE, WISCONSIN
SCHEMATICS, OVERALL, CFP15E FPDP GEN II				
UNLESS OTHERWISE SPECIFIED ALL DIMENSION TOLERANCES ARE: ANGULAR DIMENSIONS ± 1° THIRD ANGLE PROJECTION	IMPERIAL UNITS INCH/LB/S	METRIC UNITS MM/KG/M	DWG UNITS: INCH/LB/S SCALE:	DRAWN BY: KAK SHEET 5 OF 6 DATE: 22 NOV 2016 INIT ECO: 2016-694
REV ECO DESCRIPTION OF REVISION BY DATE	EST WEIGHT: SHEET 5 OF 6 DRAWING NO: A042J125			



This document contains confidential and trade secret information, is the property of Cummins NPower, LLC and is given to the receiver in confidence. The receiver, by accepting and installing of this document, accepts liability to Cummins NPower, LLC and will (1) not use the document or any copy thereof for confidential or trade secret information, (2) not copy the document, the document, or any derivative, from the location of origin thereof, and all related copies hereon. ©2016 Cummins NPower, LLC.

UNLESS OTHERWISE SPECIFIED ALL DIMENSION TOLERANCES ARE:

ANGULAR DIMENSIONS ± 1°	IMPERIAL UNITS	METRIC UNITS
0.0005	0.0005	0.0127
0.0010	0.0010	0.0254
0.0020	0.0020	0.0508
0.0050	0.0050	0.1270
0.0100	0.0100	0.2540
0.0200	0.0200	0.5080
0.0500	0.0500	1.2700
0.1000	0.1000	2.5400

THIRD ANGLE PROJECTION

SCALE: EST WEIGHT:

SCHMATIC, OVERALL, CFP15E
FPDP GEN II

DRAWN BY: KAK
DATE: 22 NOV 2016

INIT ECO: 2016-694

CUMMINS NPower
CORPORATE OFFICE
1600 BUEKLE ROAD
WHITE SEAR LAKE, ILL
WWW.CUMMINSPOWER.COM

CUSTOM DESIGN AND
UPFIT CENTER
875 LAWRENCE DRIVE
DEPOE, WISCONSIN

SHEET 6 OF 6 DRAWING NO: A042J125

REV	ECO	DESCRIPTION OF REVISION	BY	DATE