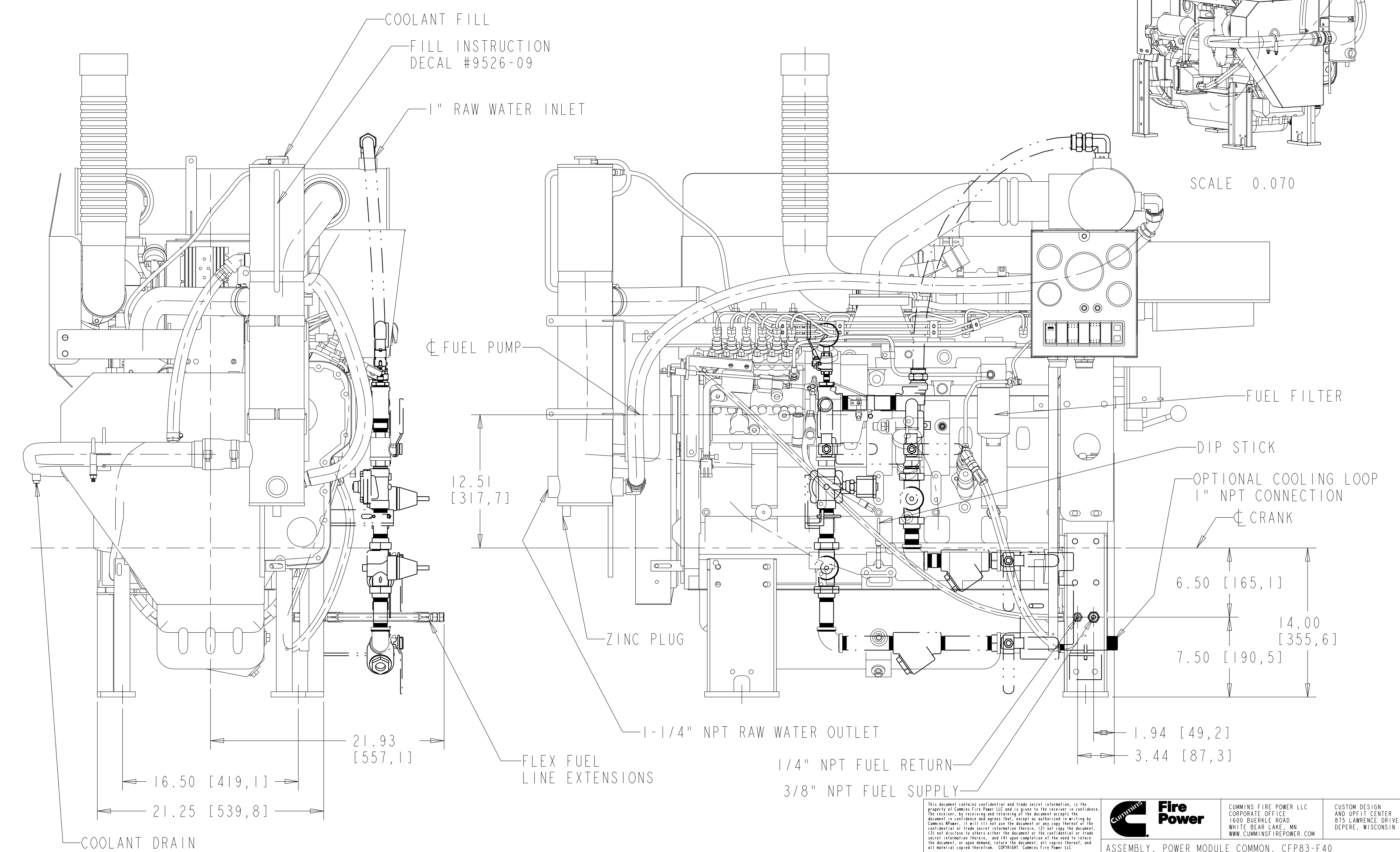
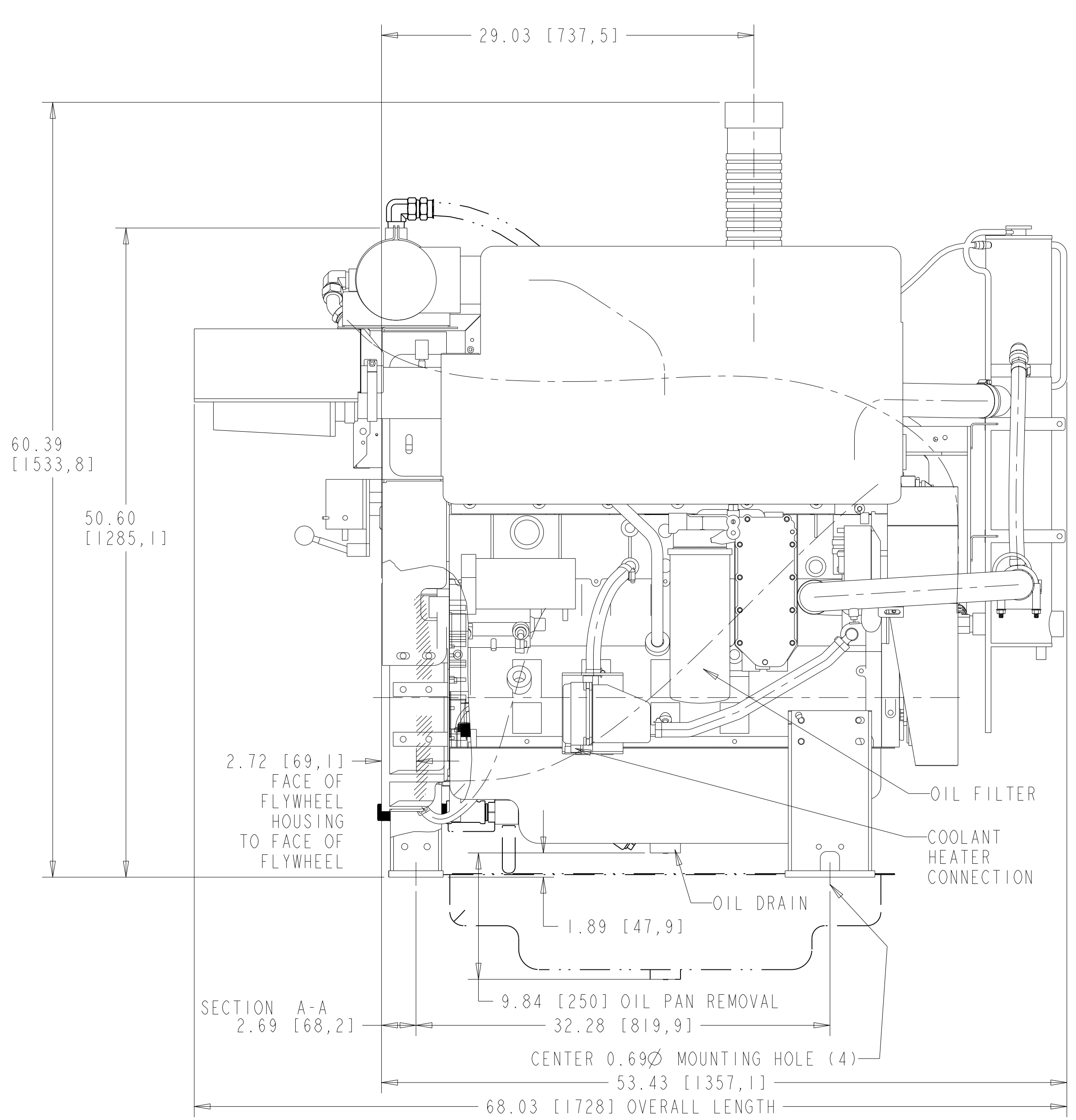
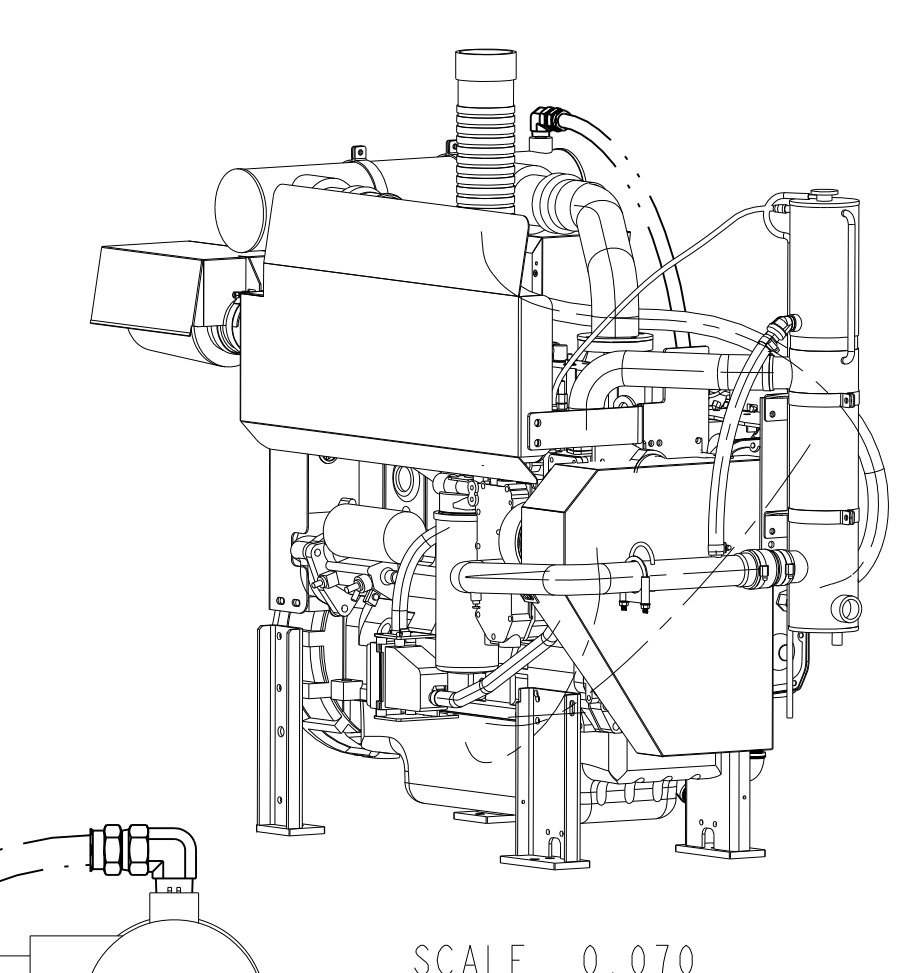


BILL OF MATERIAL			
ITEM	QTY	DESCRIPTION	PART NUMBER
1	1	ASSEMBLY, ENGINE, 6CTAA8.3, FIREPUMP	8728-6CTAAG3
2	1	ASSEMBLY, MOUNTING, ENGINE, FIREPUMP, 6C8.3	8907
3	1	ASSEMBLY, HEAT EXCHANGER, FIREPUMP 6C8.3	8919
4	1	ASSEMBLY, COOLANT HEATING, C8.3	8930
5	1	ASSEMBLY, HEAT SHIELD, FIREPUMP, OSC8.3	8937
6	1	ASSEMBLY, CHARGE AIR, C8.3, FIREPUMP	8967
7	1	ASSEMBLY, AIR CLEANER, CFP9E, CFP8E, CFP83F40	9531
8	1	ASSEMBLY, SENSOR PACKAGE, CFP9E	9574
9	1	ASSEMBLY, FUEL SYSTEM PLUMBING, 6CTAA8.3, FIREPUMP	9588
10	1	ASSEMBLY, OPERATORS STATION, 6CCTAA8.3, FIREPUMP	9592
11	1	ASSEMBLY, GUARD, PULLEY, OSC, FIREPUMP	9627
12	1	COOLING LOOP, 1" NPT, 24VDC, FIREPUMP	9659-02
13	1	FUEL LINE, #8, 3/8" NPT X 12" LG	10234
14	1	FUEL LINE, #6, 1/4" NPT X 12" LG	10235
15	1	ASSEMBLY, SOLENOID OVERRIDE, CFP83-F40, FIREPUMP	10365
16	1	ASSY, MISC PIPING, CFP83-F40, FIREPUMP	10712
17	1	ASSEMBLY, CAC WATER CONNECTION, CFP83-F40, FIREPUMP	10903
18	1	COVER, AIR CLEANER, FITS 4" O.D. TUBING	14798
19	1	FLEX, EXHAUST, 4" CUFF, FIREPUMP	8780
20	1	CLAMP, T-BOLT, 4.03-4.34	13164-0425



Cummins Fire Power
CUMMINS FIRE POWER LLC
CORPORATE OFFICE
1600 BUREAU ROAD
WHITE SEAR LAKE, MN
WWW.CUMMINSFIREPOWER.COM

CUSTOM DESIGN AND UPFIT CENTER
875 LAWRENCE DRIVE
DEPERE, WISCONSIN

ASSEMBLY, POWER MODULE COMMON, CFP83-F40

UNLESS OTHERWISE SPECIFIED ALL DIMENSION TOLERANCES ARE:
ANGULAR DIMENSIONS ± 1°
IMPERIAL UNITS
METRIC UNITS
DRAWN BY: DAVE N
DATE: 28APR2004
SCALE: 0.150
SHEET 1 OF 1
DRAWING NO: 8710
EST WEIGHT: 2117.000

J	2009-158	14798 WAS 13439, VIEW UPDATES	DAVE N	10APR2009
REV	ENF	DESCRIPTION OF REVISION	REV BY	DATE