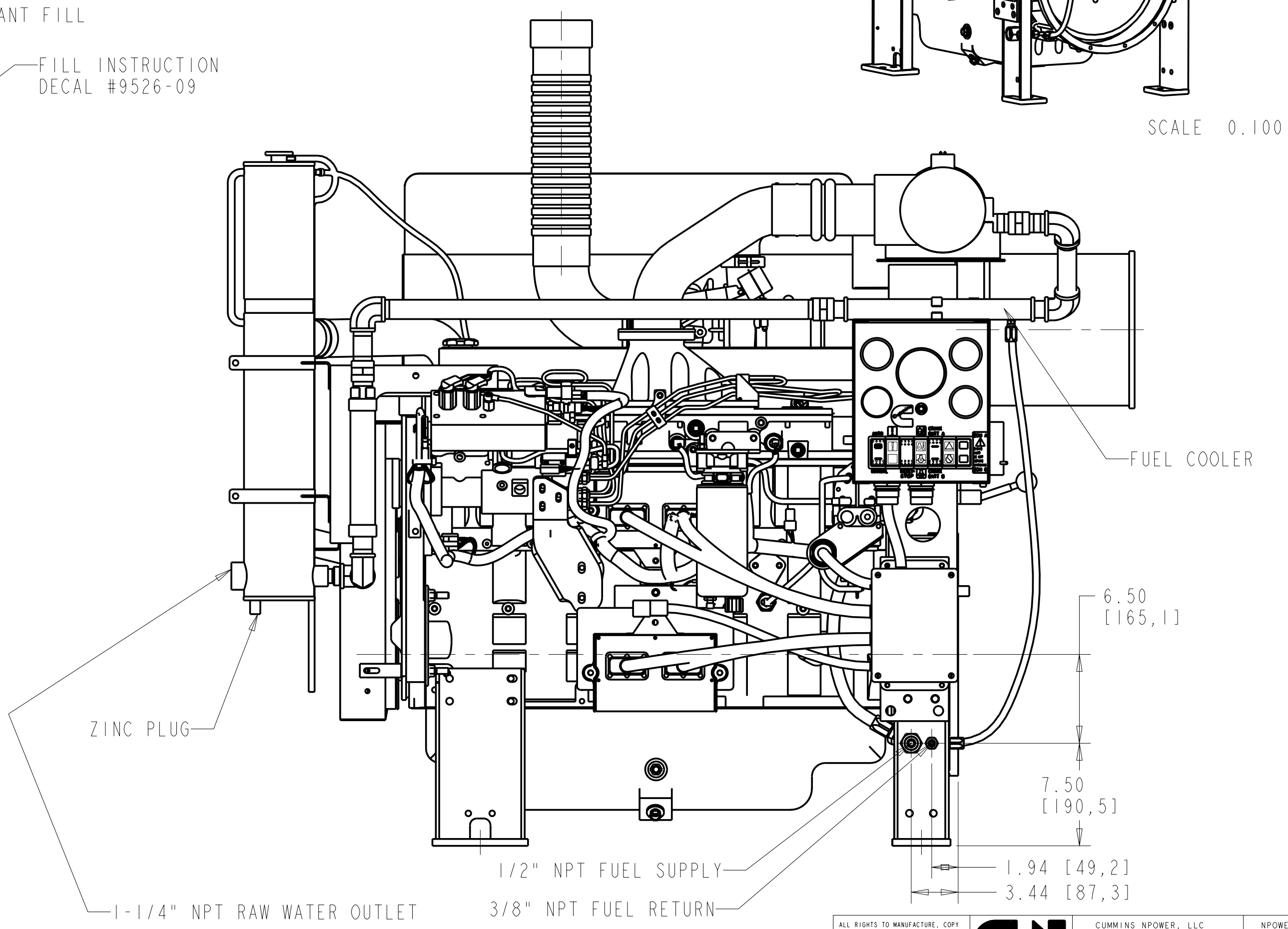
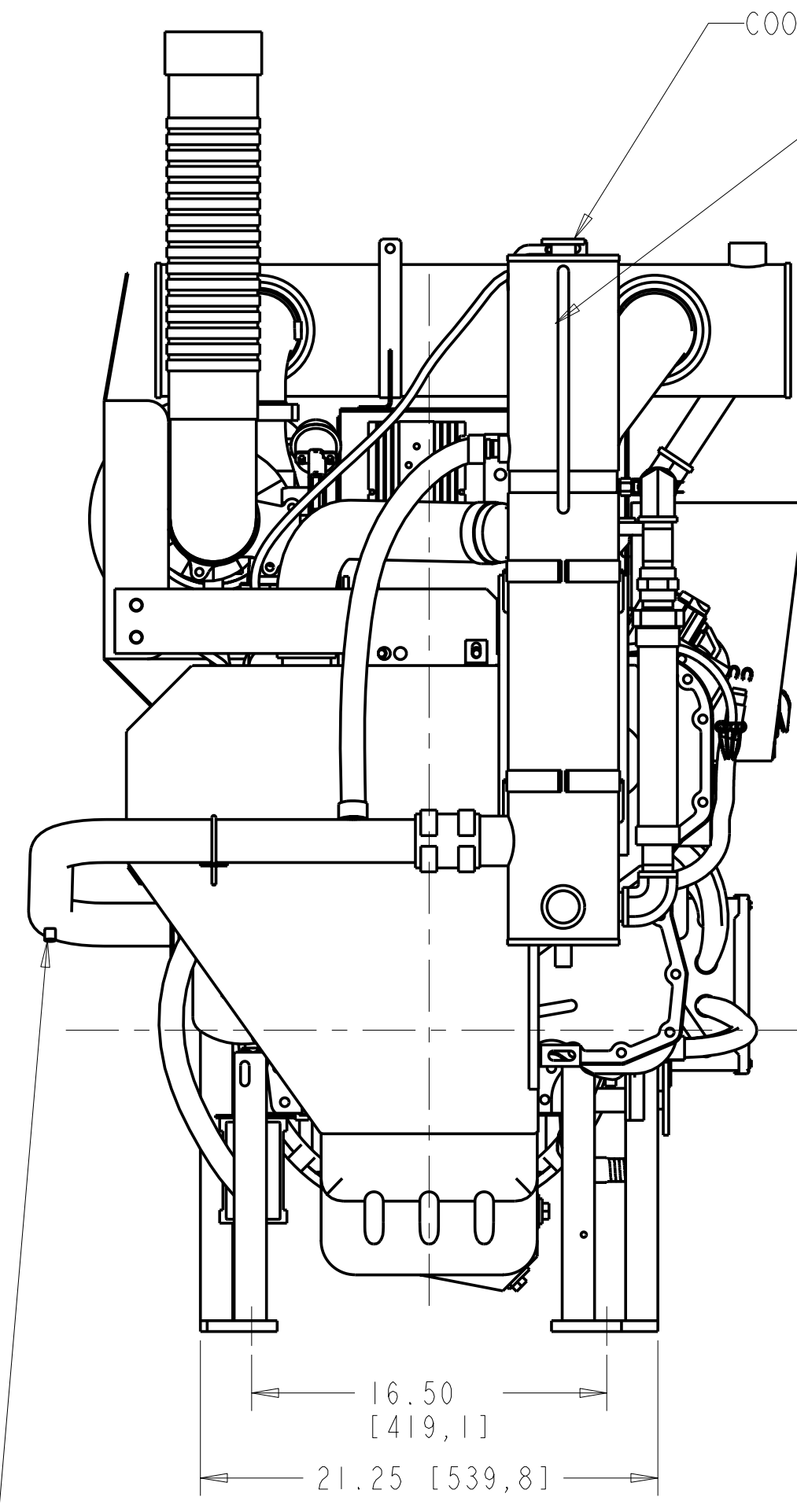
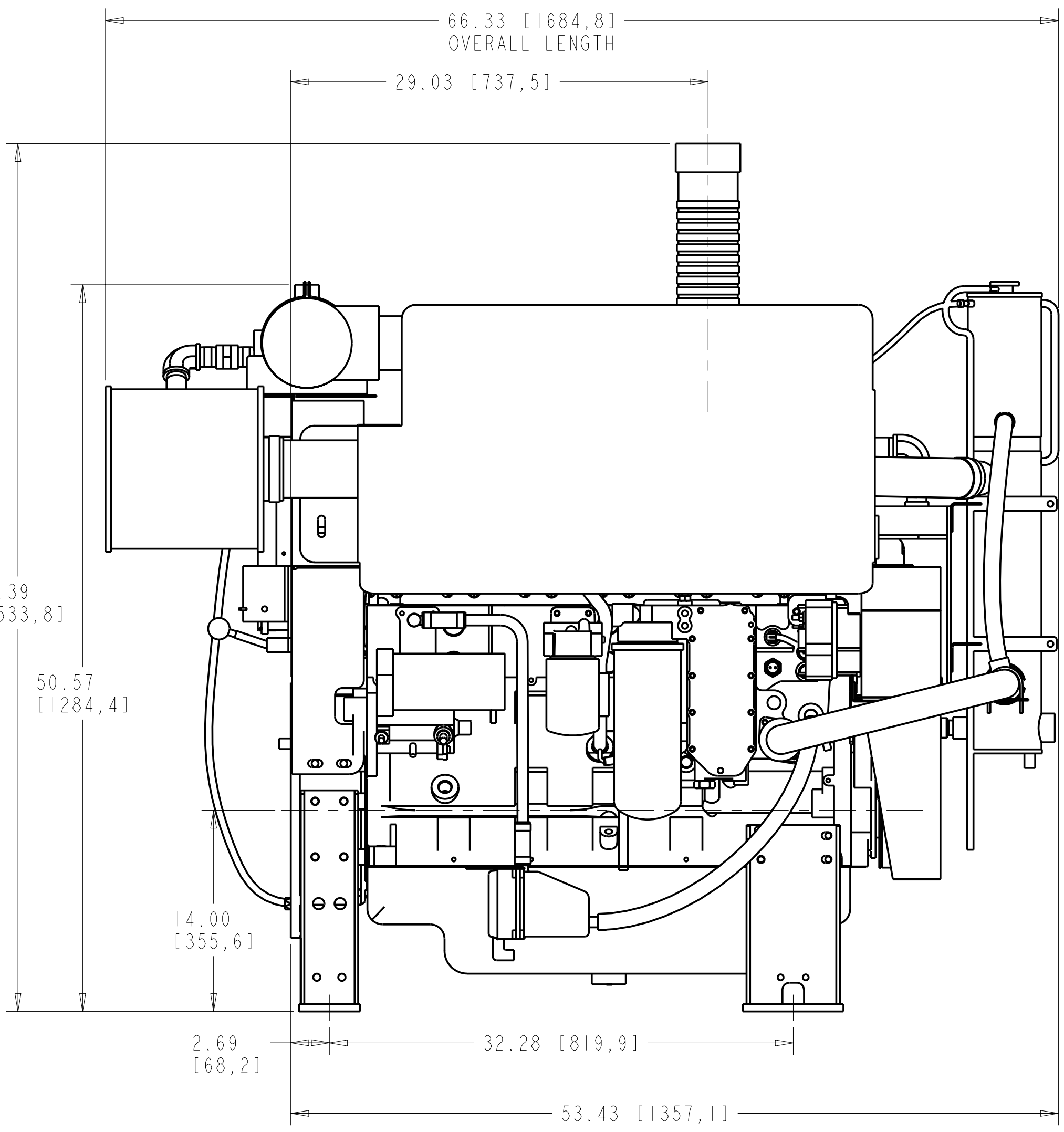
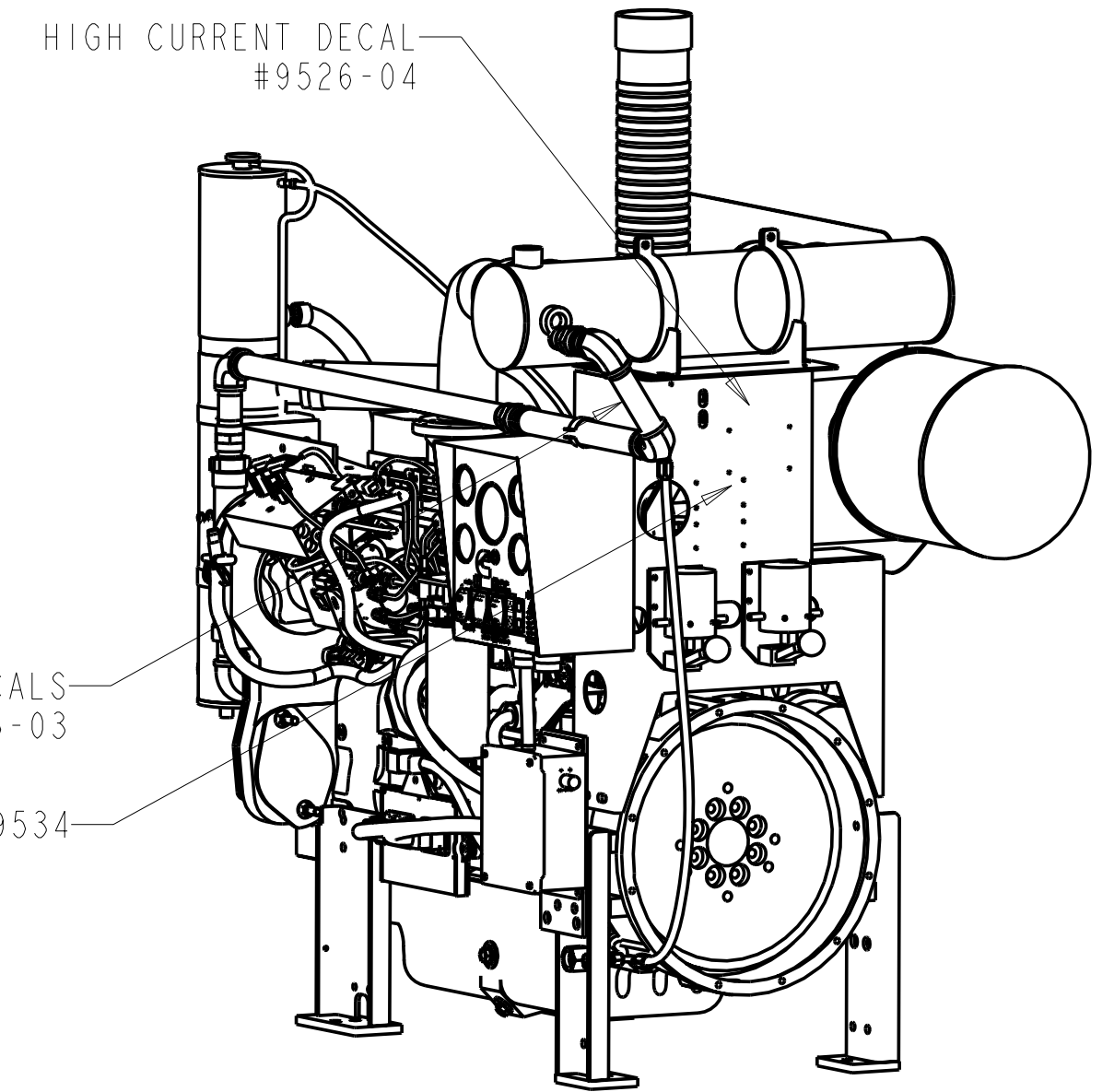


BILL OF MATERIAL			
ITEM	QTY	DESCRIPTION	PART NUMBER
1	1	ASSEMBLY, ENGINE, QSC8.3-C340, FIREPUMP	8737
2	1	ASSEMBLY, MOUNTING, ENGINE, FIREPUMP, 6C8.3	8907
3	1	ASSEMBLY, HEAT SHIELD, FIREPUMP, QSC8.3	8937
4	1	ASSEMBLY, COOLANT HEATING, C8.3	8941
5	1	ASSEMBLY, HEAT EXCHANGER, QSC8.3, FIREPUMP	8944
6	1	ASSEMBLY, CHARGE AIR, C8.3, FIREPUMP	8967
7	1	ASSEMBLY, OPERATORS STATION, QSC8.3, FIREPUMP	9502
8	1	ASSEMBLY, AIR CLEANER, QSC8.3, FIRE PUMP	9531
9	1	ASSEMBLY, FUEL SYSTEM PLUMBING, QSC8.3, FIREPUMP	9590
10	1	ASSEMBLY, PIPING, CAC HEAT EXCHANGER, QSC8.3, FIREPUMP	9591
11	1	ASSEMBLY, SECONDARY ECM, QSC8.3, FIREPUMP	9593
12	1	ASSEMBLY, GUARD, PULLEY, QSC, FIREPUMP	9627
13	1	FLEX, EXHAUST, 4" CUFF, FIREPUMP	8780



SCALE 0.100

COOLANT DRAIN

1/1/21 GRAPHICS UPDATE	DAVE N	20JAN05	ALL DIMENSION TOLERANCES ARE UNLESS OTHERWISE SPECIFIED		CUMMINS NPPOWER, LLC	NPPOWER SYSTEMS DESIGN CENTER
D REV PER HEAT EXCHANGER	DAVE N	25OCT04	ANGULAR DIMENSIONS ARE IN DEGREES UNLESS OTHERWISE SPECIFIED IN WRITING BY CUMMINS INCORPORATED		1600 BUECKLE ROAD	975 LAWRENCE DRIVE
C REV PER HEAT EXCHANGERS	DAVE N	09SEP04	ANGULAR DIMENSIONS ARE IN DEGREES UNLESS OTHERWISE SPECIFIED IN WRITING BY CUMMINS INCORPORATED	DWG UNITS: IN/LB/S	APPD BY: DAVE N	DATE: 13MAY2004
B ADDED MODEL INFO	DAVE N	23JUL04	ANGULAR DIMENSIONS ARE IN DEGREES UNLESS OTHERWISE SPECIFIED IN WRITING BY CUMMINS INCORPORATED	EST WEIGHT: 238654.051	SCALE: DO NOT SCALE	SHEET 10F1
A MISC REVISIONS	DAVE N	JUN04	ANGULAR DIMENSIONS ARE IN DEGREES UNLESS OTHERWISE SPECIFIED IN WRITING BY CUMMINS INCORPORATED	SCALE: DO NOT SCALE	DRAWING NO: 8711	REV: D
REV DESCRIPTION OF REVISION	REV BY	DATE				