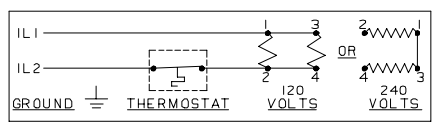


ITEM NUMBER
3626351

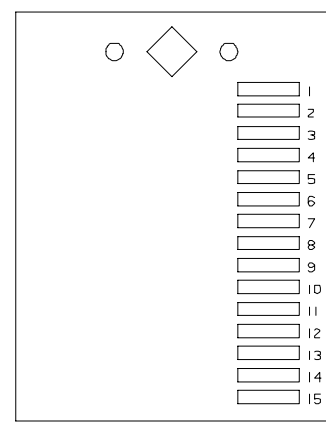
REVISIONS		DWN	CHD	APPD
00	MCS REQUEST #171, 6-26-92			

SERVICE CONNECTIONS
 FUEL INLET CONNECTION: 1/4 N.P.T.F.
 FUEL OUTLET CONNECTION: 1/8 MALE PIPE TH'D
 OIL DRAIN: M22 X 1.50 TH'D
 COOLANT DRAIN: 1/8 N.P.T.F.
 WATER INLET CONNECTION: 3/4 N.P.T.
 WATER OUTLET CONNECTION: 1 N.P.T.
 EXHAUST OUTLET CONNECTION: SEE NOTE
 WIRING DIAGRAM NO.: 3911869



CRANKSHAFT

EXHAUST OUTLET MOUNTING
 A.N.S. 3.00 PIPE FLANGE
 4-HOLES .69 (17.5) DIA. ON
 A 6.00 (152.4) DIA. B.C.



INSTRUMENT PANEL
 CONTAINS TWO TERMINAL STRIPS.
 FIRE PUMP CONTROLLER TO BE
 WIRED TO TERMINALS ONE THRU
 FIFTEEN ON FAR RIGHT
 TERMINAL STRIP

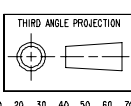
MANUEL FUEL SHUT
 OFF LEVER
 CLOCKWISE ROTATION

CRANKSHAFT

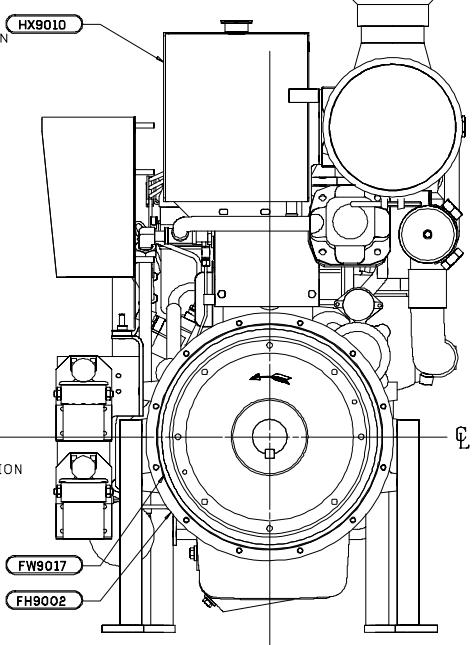
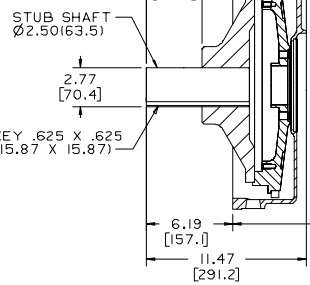
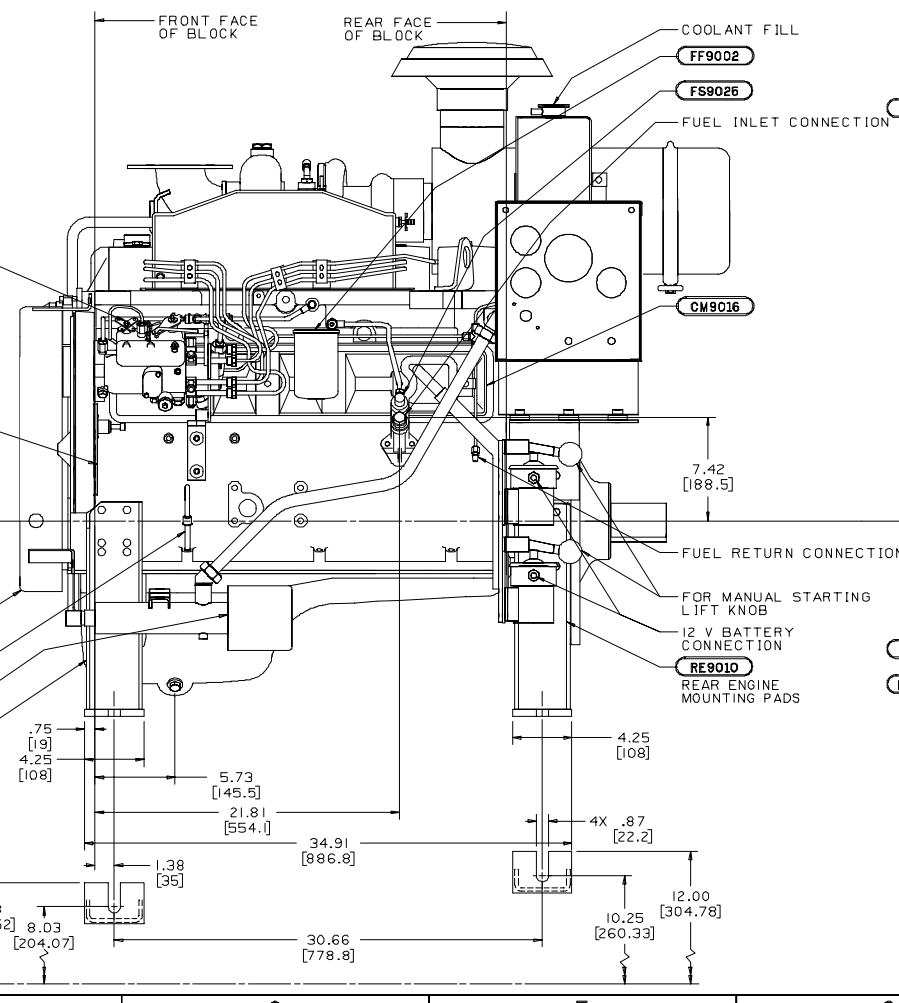
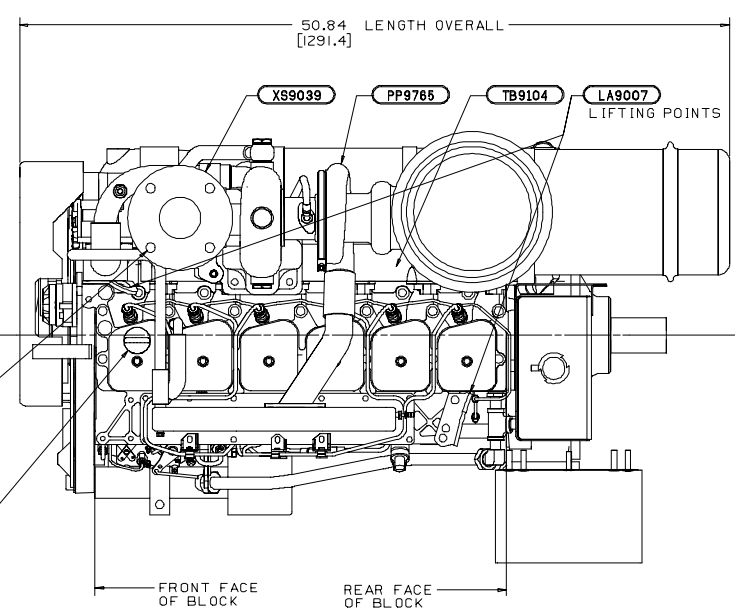
EM9027

LG9062

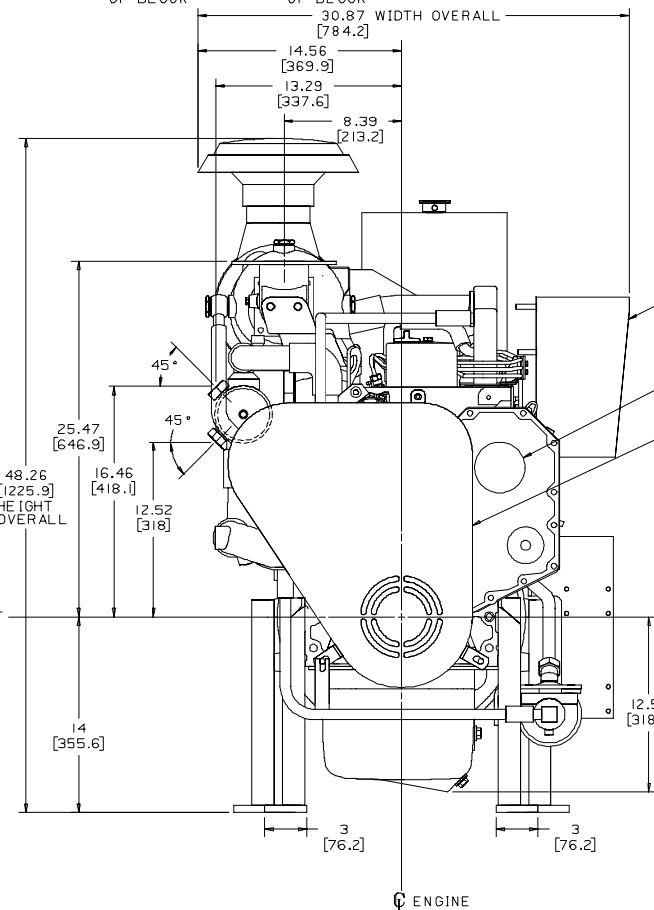
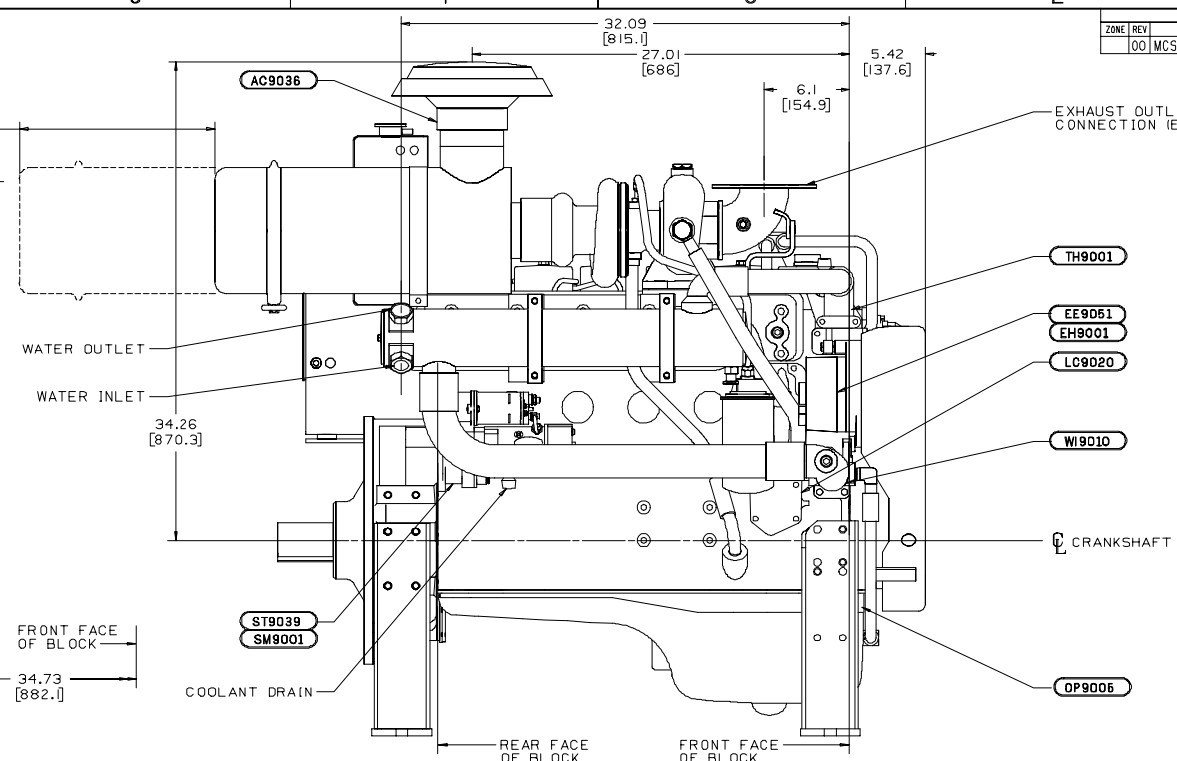
EM9027
 FRONT ENGINE
 MOUNTING PADS



ENGINE



ENGINE



METRIC

DO NOT SCALE THIS DRAWING
 THIS DRAWING/DATA FILE (AND THE INFORMATION SHOWN THEREON) IS CONFIDENTIAL AND PROPRIETARY AND SHALL NOT BE DISCLOSED TO OTHERS EITHER IN HARD COPY FORM OR IN MACHINE READABLE FILES, OR REPRODUCED BY ANY MEANS FOR ANY PURPOSE WITHOUT WRITTEN CONSENT OF CUMMINS ENGINE COMPANY, INC., MARKETING CAD SERVICES DEPARTMENT.

PRELIMINARY UNCHECKED

PRODUCT GRAPHICS FILE		RELEASE PHASE	
NO ORIGINAL DRAWING EXISTS FOR THIS ITEM. THE ENGINEERING GRAPHICS DATA FOR THIS ITEM RESIDES IN THE PRODUCT GRAPHICS FILE AND IS CONTROLLED BY THE AGENCY DESIGNATED AS HAVING ITEM CONTROL.			
REF. DRAWING NO.	REF. DRAWING STANDARDS: ANSI Y14.5M ISO 9001	CUMMINS ENGINE COMPANY, INC.	
ITEM NAME	IDENTIFIER	6BTA 5.9 FIREPUMP	
SIZE	CODE IDENT. NO.	INSTALLATION DIAGRAM	
APPD	ITEM NUMBER	J 3626351	
SCALE	ITEM CONTROL	1/4 MCS SHEET 1 OF 1	