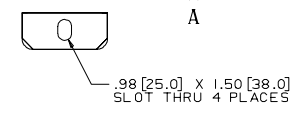
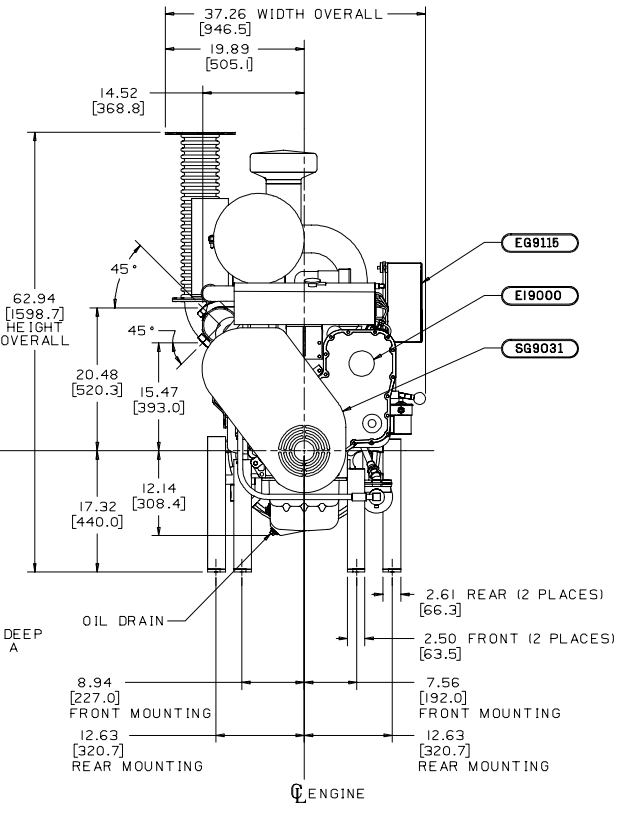
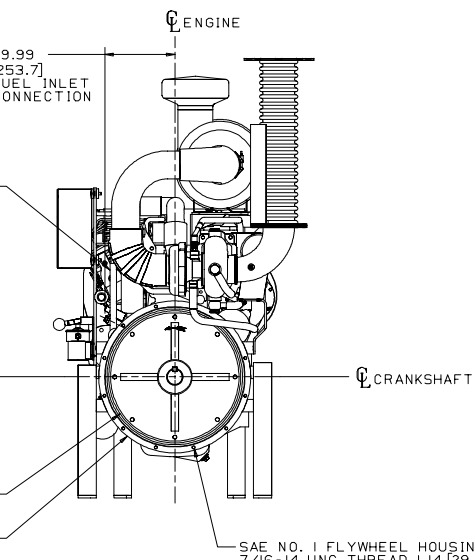
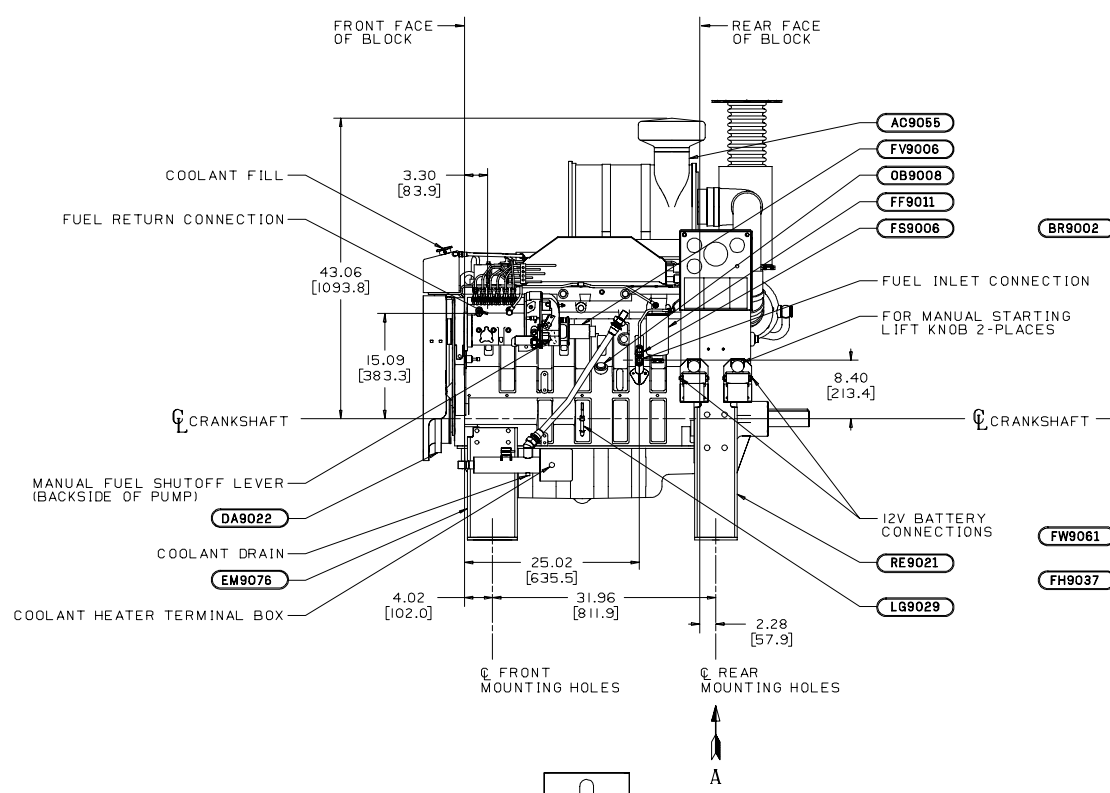
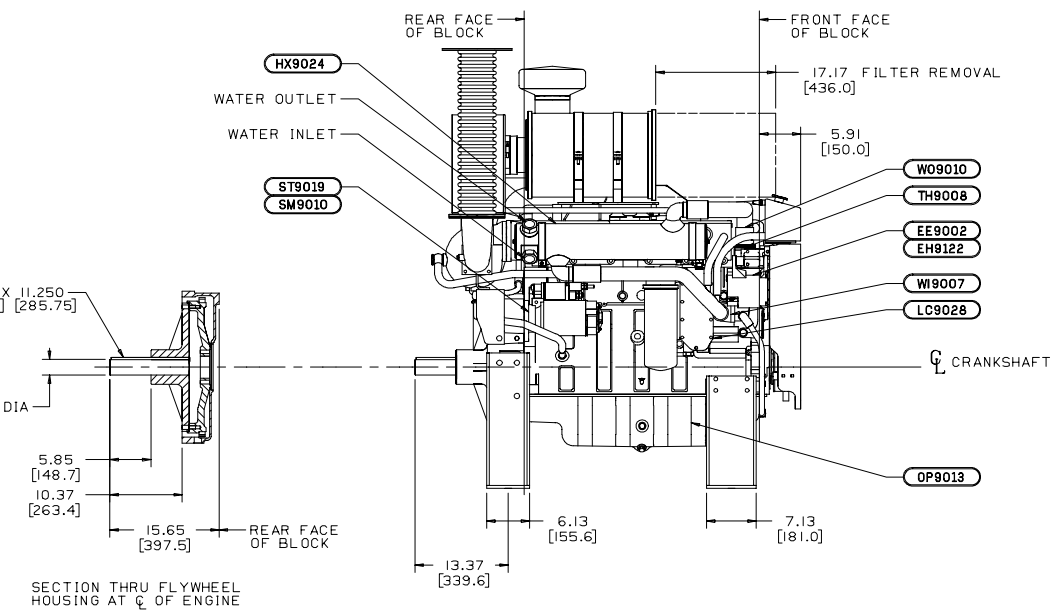
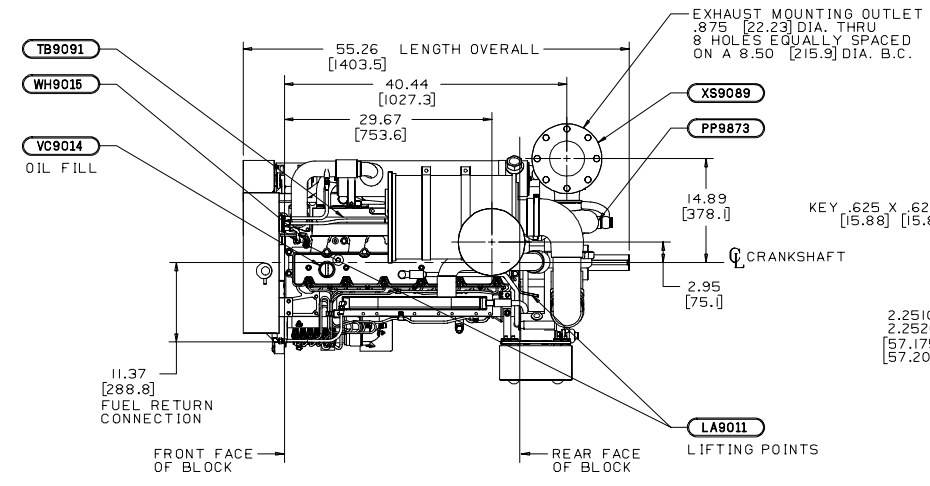
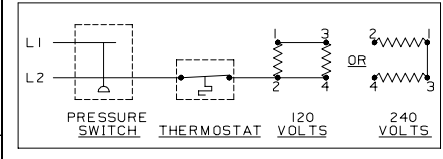


ITEM NUMBER
3919949

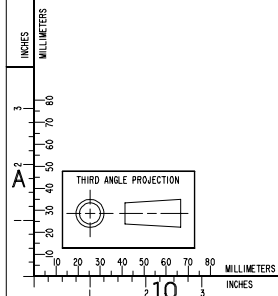
ZONE REV		DESCRIPTION	DATE	BY	APPD
02	REQ.	#709, REDRAWN ON CV	9-26-96		

SERVICE CONNECTIONS
 FUEL INLET CONNECTION: 1/4 N.P.T.F.
 FUEL RETURN CONNECTION: 1/4-18 N.P.T.F.
 OIL DRAIN: M18 X 1.50 TH'D
 COOLANT DRAIN: PETCOCK ON BOTTOM OF COOLANT HEATER
 WATER INLET CONNECTION: 1-1/4(INCH) N.P.T.
 WATER OUTLET CONNECTION: 1-1/2(INCH) N.P.T.
 EXHAUST OUTLET CONNECTION: SEE NOTE
 WIRING DIAGRAM NO.: 3919460



VIEW IN DIRECTION OF ARROW A
1/4 SCALE

PRODUCT GRAPHICS FILE
 NO ORIGINAL DRAWING EXISTS FOR THIS ITEM. THE ENGINEERING GRAPHICS DATA FOR THIS ITEM RESIDES IN THE PRODUCT GRAPHICS FILE AND IS CONTROLLED BY THE AGENCY DESIGNATED AS HAVING ITEM CONTROL.



PRELIMINARY UNCHECKED

METRIC
 DO NOT SCALE THIS DRAWING
 THIS DRAWING/DATA FILE (AND THE INFORMATION SHOWN THEREON) IS CONFIDENTIAL AND PROPRIETARY AND SHALL NOT BE DISCLOSED TO OTHERS EITHER IN HARD COPY FORM OR IN MACHINE READABLE FILES, OR REPRODUCED BY ANY MEANS FOR ANY PURPOSE WITHOUT WRITTEN CONSENT OF CUMMINS ENGINE COMPANY, INC., MARKETING CAD SERVICES DEPARTMENT.

REF. DRAWING NO.	RELEASE PHASE
CUMMINS ENGINE COMPANY, INC.	
ITEM NAME	GCTA8.3-F
IDENTIFIER	INSTALLATION DIAGRAM
SIZE CODE IDENT. NO. ITEM NUMBER	J 3919949
SCALE	1 OF 1