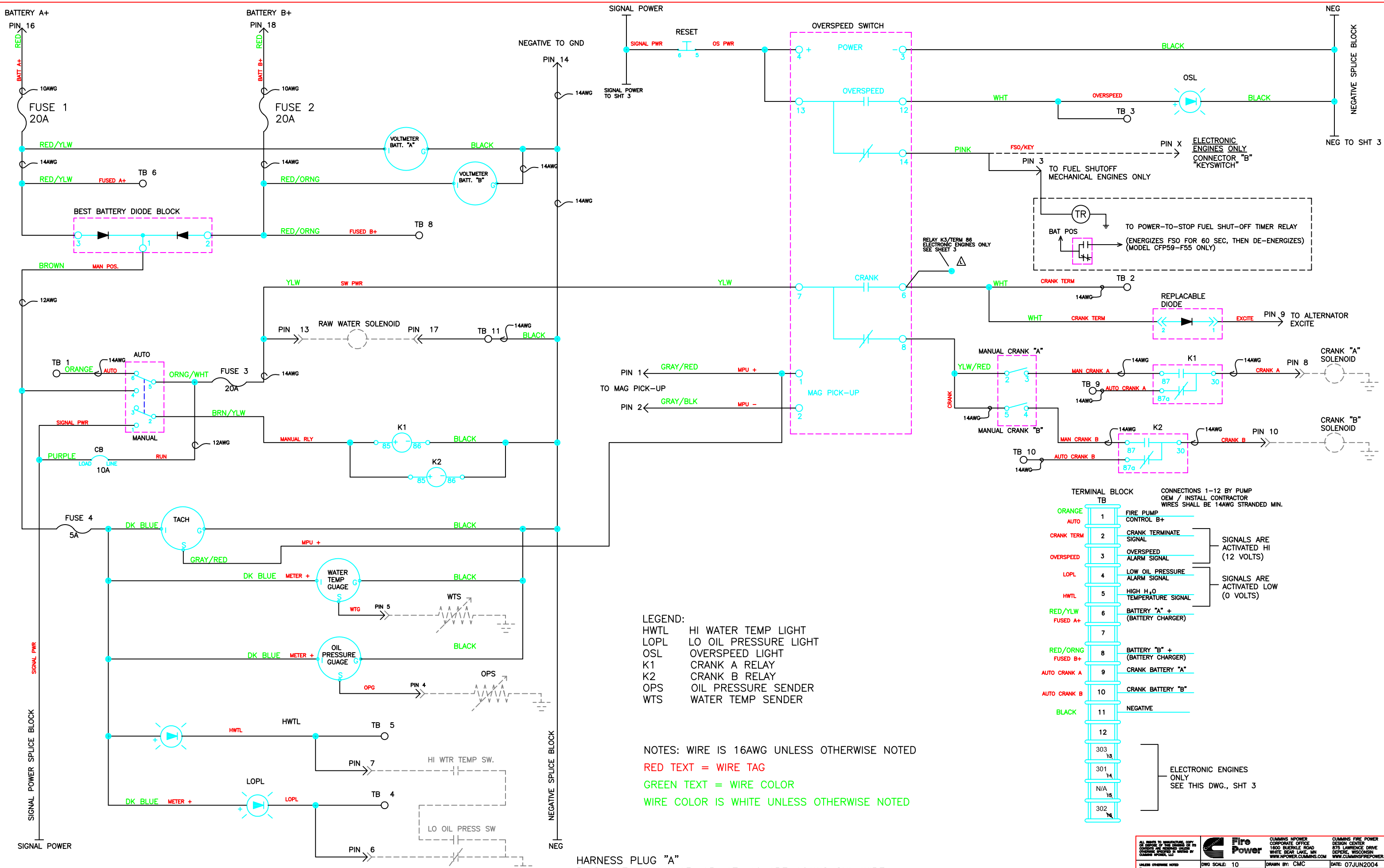


Before 20 August  
2006



LEGEND:  
 HWTL HI WATER TEMP LIGHT  
 LOPL LO OIL PRESSURE LIGHT  
 OSL OVERSPEED LIGHT  
 K1 CRANK A RELAY  
 K2 CRANK B RELAY  
 OPS OIL PRESSURE SENDER  
 WTS WATER TEMP SENDER

NOTES: WIRE IS 16AWG UNLESS OTHERWISE NOTED  
 RED TEXT = WIRE TAG  
 GREEN TEXT = WIRE COLOR  
 WIRE COLOR IS WHITE UNLESS OTHERWISE NOTED

HARNESS PLUG "A"  
 PINS 1-7, 9, 11, 13, 15, 17, 19 ARE 16AWG SXL WIRE  
 PINS 16 & 18 ARE 10AWG SXL WIRE (12 GA CAVITIES)  
 PINS 12, 14, 16 & 18 ARE 14AWG SXL WIRE (12 GA CAVITIES)

TERMINAL BLOCK TB	CONNECTIONS 1-12 BY PUMP OEM / INSTALL CONTRACTOR WIRES SHALL BE 14AWG STRANDED MIN.
ORANGE 1	FIRE PUMP CONTROL B+
ORANGE AUTO 2	CRANK TERMINATE SIGNAL
ORANGE CRANK TERM 3	OVERSPEED ALARM SIGNAL
ORANGE LOPL 4	LOW OIL PRESSURE ALARM SIGNAL
ORANGE HWTL 5	HIGH H <sub>2</sub> O TEMPERATURE SIGNAL
ORANGE RED/YLW FUSED A+ 6	BATTERY "A" + (BATTERY CHARGER)
ORANGE 7	
ORANGE RED/ORNG FUSED B+ 8	BATTERY "B" + (BATTERY CHARGER)
ORANGE AUTO CRANK A 9	CRANK BATTERY "A"
ORANGE AUTO CRANK B 10	CRANK BATTERY "B"
ORANGE BLACK 11	NEGATIVE
ORANGE 12	
ORANGE 303 13	
ORANGE 301 14	
ORANGE N/A 15	
ORANGE 302 16	

SIGNALS ARE ACTIVATED HI (12 VOLTS)  
 SIGNALS ARE ACTIVATED LOW (0 VOLTS)

ELECTRONIC ENGINES ONLY SEE THIS DWG., SHT 3

M	CONSOLIDATE ALL PAGES TO REV M	RJS	24 FEB 06
REV	DESCRIPTION OF REVISION	BY	DATE

ALL RIGHTS TO MANUFACTURING COMPANY RESERVED. NO PARTS OR INFORMATION MAY BE REPRODUCED OR TRANSMITTED IN ANY FORM OR BY ANY MEANS, ELECTRONIC OR MECHANICAL, INCLUDING PHOTOCOPYING, RECORDING, OR BY ANY INFORMATION STORAGE AND RETRIEVAL SYSTEM.

UNLESS OTHERWISE NOTED ALL DIMENSIONS ARE IN INCHES  
 APPLY MACHINING TOLERANCES  
 ± = 0.005  
 ± = 0.010  
 ± = 0.015  
 ± = 0.020  
 ± = 0.030

APPLY WELDED TOLERANCES  
 ± = 0.030  
 ± = 0.040  
 ± = 0.050

**Fire Power**  
 CUMMINS IPPOWER CORPORATION OFFICE DESIGN CENTER  
 1600 BLAERKLE ROAD  
 WHITE BEAR LAKE, MN  
 WWW.IPPOWER.CUMMINS.COM  
 WWW.CUMMINSFIREPOWER.COM

CUMMINS FIRE POWER DESIGN CENTER  
 875 LAWRENCE DRIVE  
 DEFERIE, WISCONSIN  
 WWW.CUMMINSFIREPOWER.COM

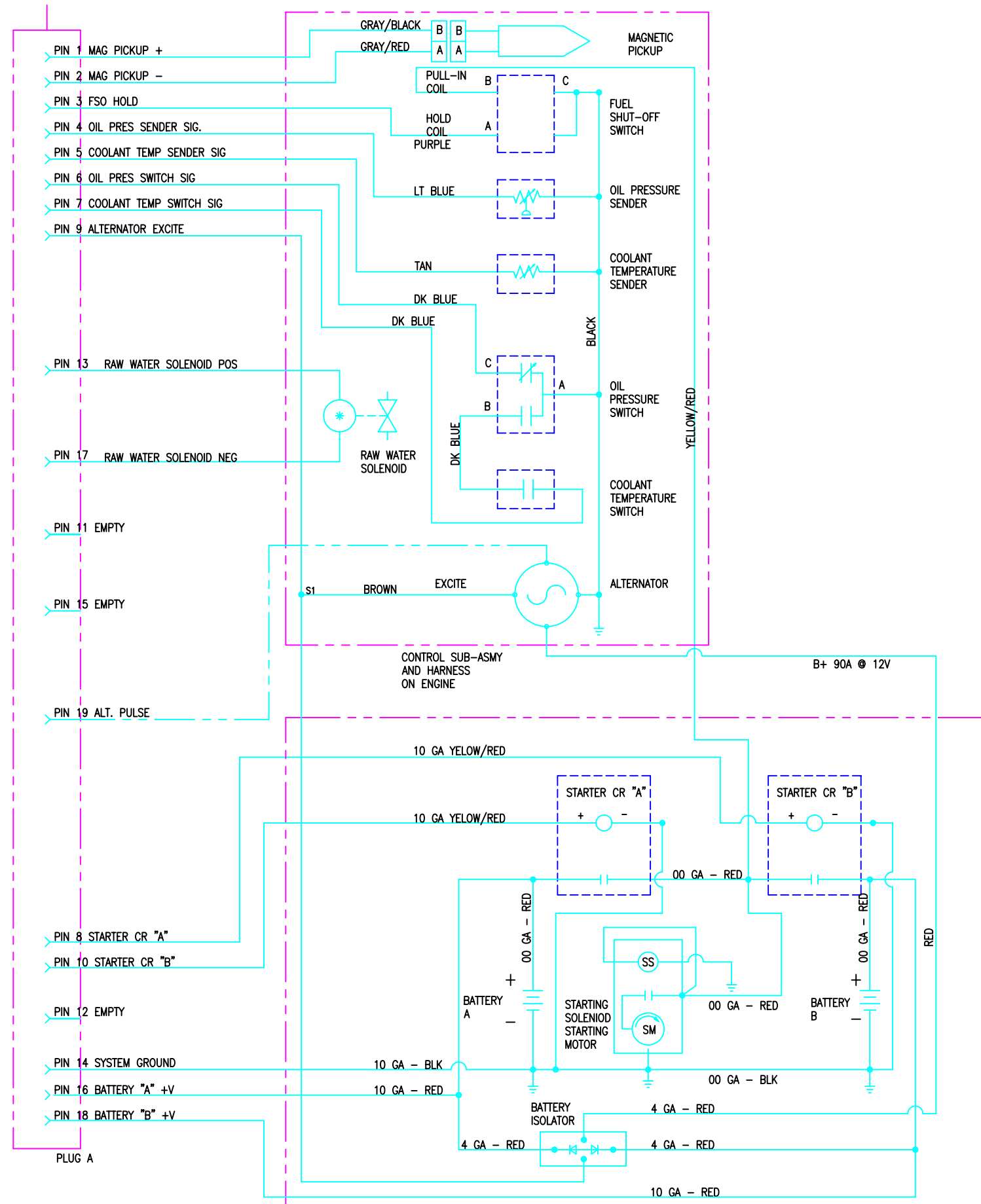
DWG SCALE: 10  
 PLOT SCALE:  
 DRAWN BY: CMC  
 APPD BY:  
 DATE: 07JUN2004

DESCRIPTION  
 SCHEMATIC, GAUGE BOX

REFERENCE:  
 FIRE PUMP

DRAWING NUMBER:  
 8512SHT1\_M

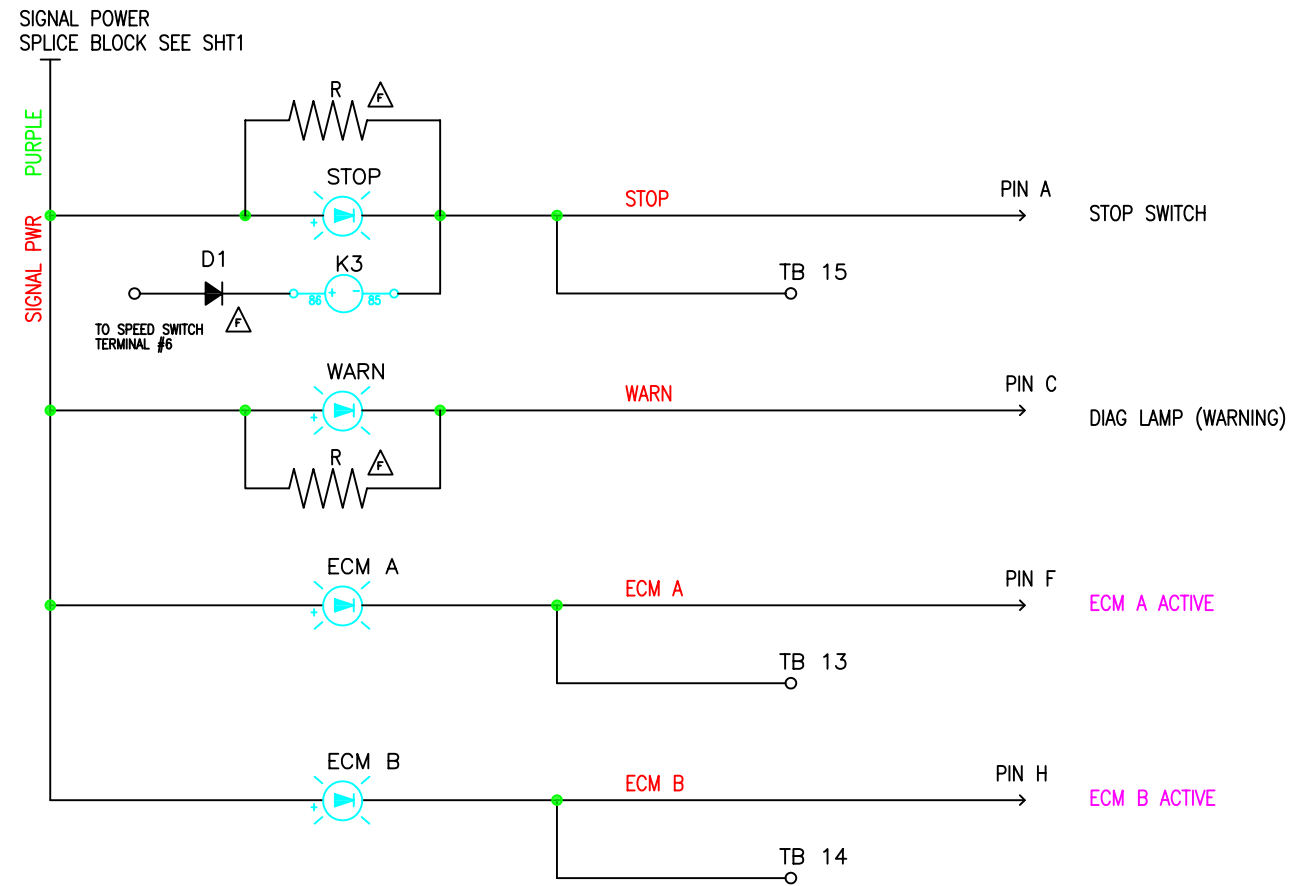
HARNESS PLUG "A"  
 PINS 1-7, 9, 11, 13, 15, 17, 19 ARE 16AWG SXL WIRE  
 PINS 16 & 18 ARE 10AWG SXL WIRE (12 GA CAVITIES)  
 PINS 12, 14, 16 & 18 ARE 14AWG SXL WIRE (12 GA CAVITIES)



REV	DESCRIPTION OF REVISION	BY	DATE
M	CONSOLIDATE ALL PAGES TO REV M	RJS	24 FEB 06

<small>ALL RIGHTS TO MANUFACTURE, COPY OR REPRODUCE OF THIS DRAWING OR ITS CONTENTS ARE RESERVED UNLESS OTHERWISE SPECIFIED BY WRITING BY CUMMINS INCORPORATED, LLC</small> <small>UNLESS OTHERWISE NOTED ALL DIMENSIONS ARE IN INCHES</small> <small>APPLY MACHINING TOLERANCES</small> <small>XX = ± 0.005</small> <small>XXX = ± 0.001</small> <small>APPLY WELDING TOLERANCES</small> <small>X = ± 0.012</small> <small>XXX = ± 0.008</small>		CUMMINS NP POWER CORPORATE OFFICE 1800 BURNLEY ROAD WHITE BEAR LAKE, MN WWW.NPPOWER.CUMMINS.COM	CUMMINS FIRE POWER DESIGN CENTER 875 LAWRENCE DRIVE DEPERE, WISCONSIN WWW.CUMMINSFIREPOWER.COM
	DWG SCALE: 10 PLOT SCALE: DESCRIPTION SCHEMATIC, ENGINE WIRING REFERENCE: FIRE PUMP	DRAWN BY: CMC APPD BY: DATE: 19MAY2004	DRAWING NUMBER: 8512SHT2_M

ELECTRONIC ENGINES ONLY



LEGEND:

K3 ECM/FUEL FAIL RELAY  
R RESISTOR

NOTES: WIRE IS 16AWG UNLESS OTHERWISE NOTED

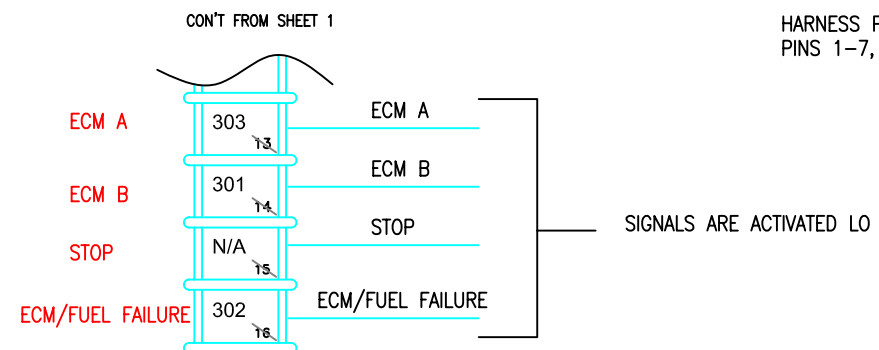
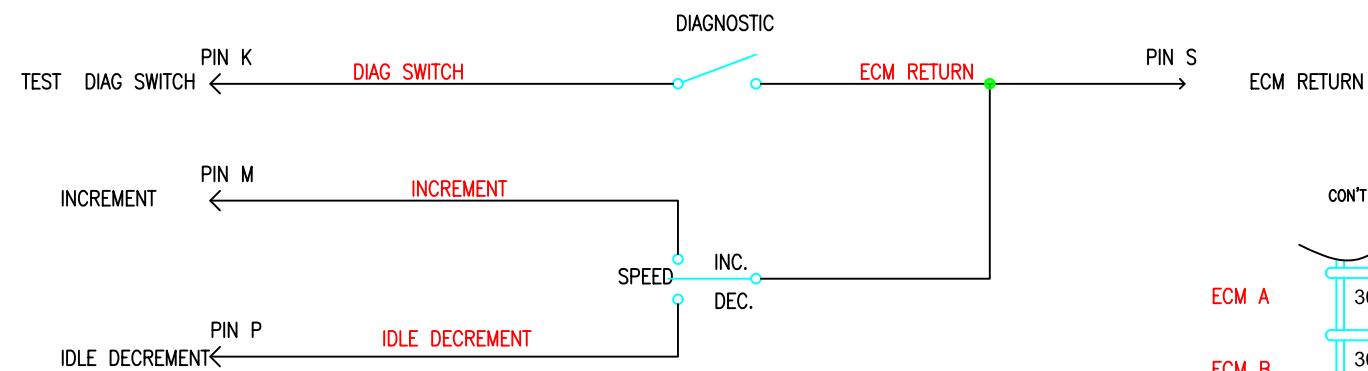
RED TEXT = WIRE TAG

GREEN TEXT = WIRE COLOR

WIRE COLOR IS WHITE UNLESS OTHERWISE NOTED

△ RESISTOR VALUE = 1.5k OHMS 1/2 WATT

△ D1 VALUE = 6 AMPS/100V MIN

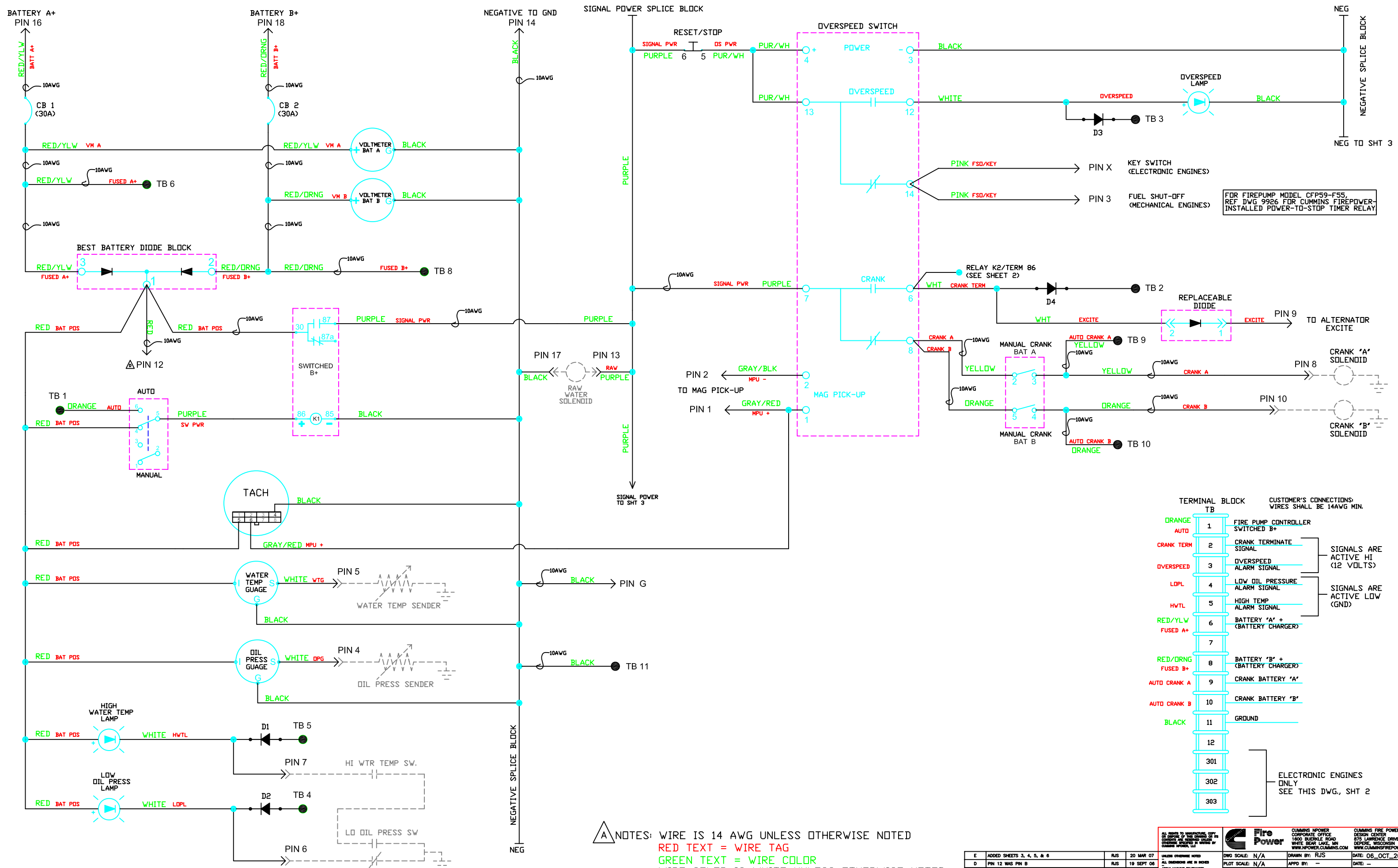


HARNESS PLUG "B"  
PINS 1-7, 9, 11, 13, 15, 17, 19 ARE 16AWG SXL WIRE

<small>ALL RIGHTS TO MANUFACTURE, COPY OR REPRODUCE OF THIS DRAWING OR ITS CONTENTS ARE RESERVED UNLESS OTHERWISE SPECIFIED BY WRITING BY CUMMINS INCORPORATED</small>		<b>Fire Power</b> <small>CUMMINS NPPOWER CORPORATION OFFICE 1800 BURNELL ROAD WHITE BEAR LAKE, MN 56581 WWW.NPOWER.CUMMINS.COM</small>		<small>CUMMINS FIRE POWER DESIGN CENTER 875 LAWRENCE DRIVE DEPERE, WISCONSIN 54625 WWW.CUMMINSFIREPOWER.COM</small>	
<small>UNLESS OTHERWISE NOTED ALL DIMENSIONS ARE IN INCHES</small> <small>APPLY UNLESS TOLERANCES</small> .015" - 2.000" .005" - 2.000" .001" - 2.000" <small>APPLY UNLESS TOLERANCES</small> .015" - 2.000" .005" - 2.000" .001" - 2.000"	DWG SCALE: 10 PLOT SCALE:	DRAWN BY: CMC APPD BY:	DATE:	DESCRIPTION SCHEMATIC, CONTROL PANEL, ECM UPFIT	
M CONSOLIDATE ALL PAGES TO REV M REV DESCRIPTION OF REVISION	RJS 24 FEB 08 BY DATE	REFERENCE: FIREPUMP QSB, QSC, QSM	DRAWING NUMBER: 8512SHT3_M		

M	CONSOLIDATE ALL PAGES TO REV M	RJS	24 FEB 08
REV	DESCRIPTION OF REVISION	BY	DATE

After 20 August  
2006



FOR FIREPUMP MODEL CFP59-F55,  
REF DWG 9926 FOR CUMMINS FIREPOWER-  
INSTALLED POWER-TO-STOP TIMER RELAY

TERMINAL BLOCK TB	CUSTOMER'S CONNECTIONS Wires shall be 14AWG MIN.
ORANGE AUTO	1 FIRE PUMP CONTROLLER SWITCHED B+
CRANK TERM	2 CRANK TERMINATE SIGNAL
OVERSPEED	3 OVERSPEED ALARM SIGNAL
LOPL	4 LOW OIL PRESSURE ALARM SIGNAL
HVTL	5 HIGH TEMP ALARM SIGNAL
RED/YLW FUSED A+	6 BATTERY 'A' + (BATTERY CHARGER)
7	
RED/DRNG FUSED B+	8 BATTERY 'B' + (BATTERY CHARGER)
AUTO CRANK A	9 CRANK BATTERY 'A'
AUTO CRANK B	10 CRANK BATTERY 'B'
BLACK	11 GROUND
12	
301	
302	
303	

SIGNALS ARE ACTIVE HI (12 VOLTS)  
SIGNALS ARE ACTIVE LOW (GND)

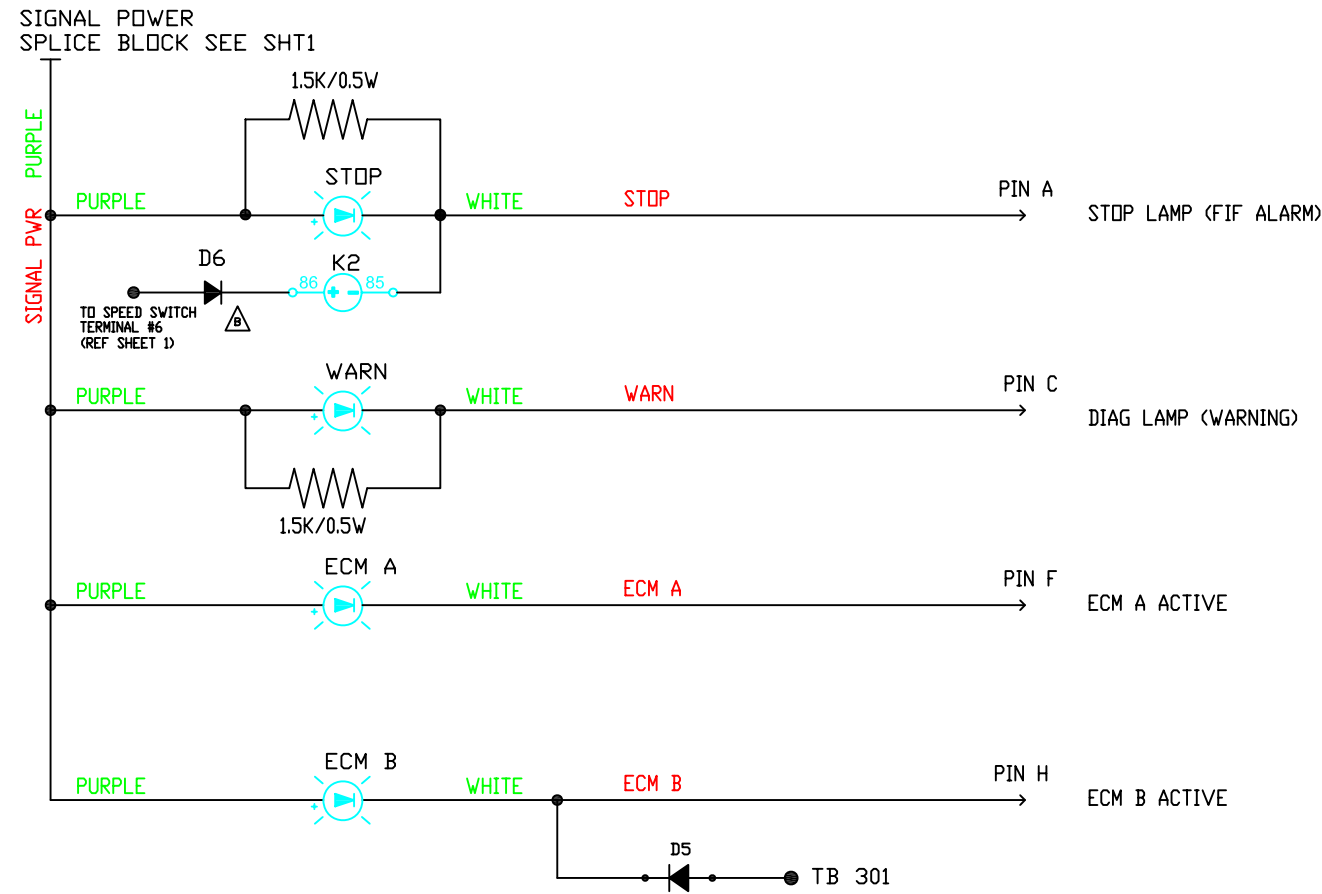
ELECTRONIC ENGINES ONLY  
SEE THIS DWG., SHT 2

**NOTES:** WIRE IS 14 AWG UNLESS OTHERWISE NOTED  
 RED TEXT = WIRE TAG  
 GREEN TEXT = WIRE COLOR  
 WIRE COLOR IS WHITE UNLESS OTHERWISE NOTED  
 D1 - D4: 6 Amp/400 Vpiv

REV	DESCRIPTION OF REVISION	BY	DATE
E	ADDED SHEETS 3, 4, 5, & 6	RJS	20 MAR 07
D	PIN 12 WAS PIN B	RJS	19 SEPT 06
C	REMOVED 5 AMP CIRCUIT BREAKER	RJS	27 JUNE 06
B	ADDED CONNECTION TO TERM 6 OF SPEED SWITCH	RJS	17 DEC 05
A	CHANGED WIRE GAUGES; CHG'D TB 1 LABELS	RJS	27OCT05

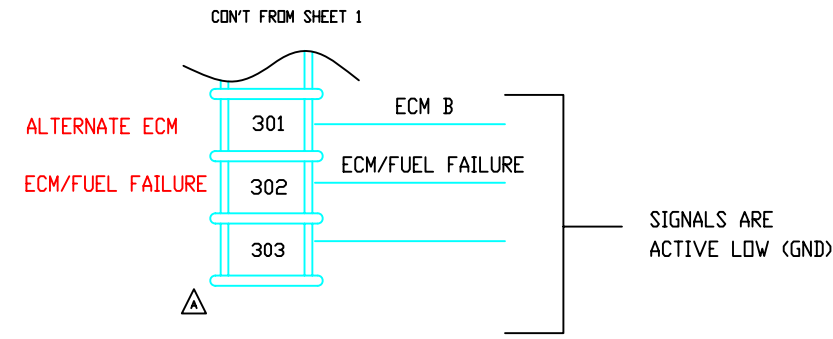
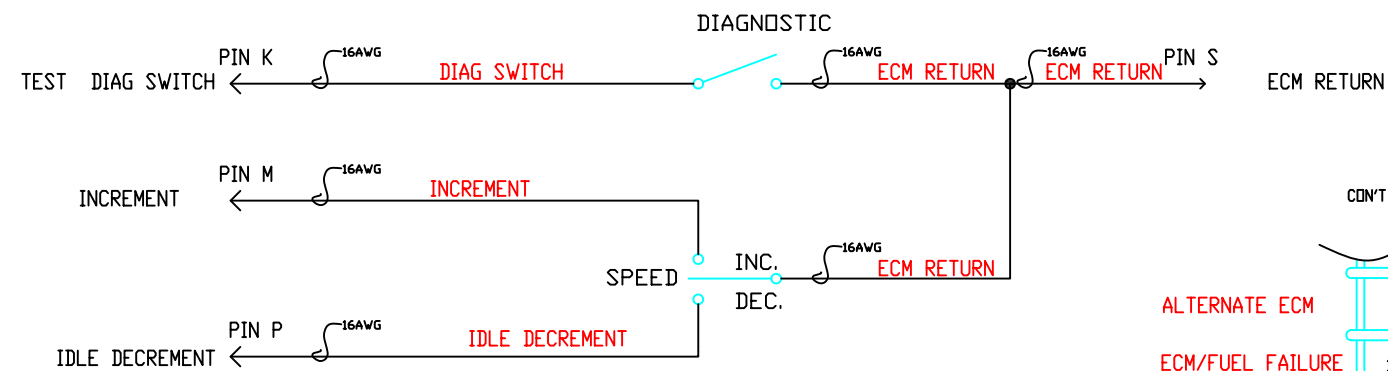
<small>ALL RIGHTS TO MANUFACTURE, COPY OR REPRODUCE THIS DRAWING OR ITS CONTENTS ARE RESERVED EXCEPT AS NOTED BY CUMMINS INCORPORATED.</small> 	<b>CUMMINS FIRE POWER</b> CORPORATE OFFICE 1800 BURELLE ROAD WHITE BEAR LAKE, MN WWW.CUMMINSFIREPOWER.COM	<b>CUMMINS FIRE POWER</b> DESIGN CENTER 875 LAWRENCE DRIVE DEPERE, WISCONSIN WWW.CUMMINSFIREPOWER.COM
DWG SCALE: N/A PLOT SCALE: N/A	DRAWN BY: RJS APPD BY: --	DATE: 06_OCT_2005 DATE: --
DESCRIPTION <b>SCHEMATIC_CONTROL_PANEL</b>		
REFERENCE: <b>FIREPUMP</b>		DRAWING NUMBER: <b>10423E_SHT1</b>

ADDITIONAL CIRCUITS FOR ELECTRONIC ENGINES

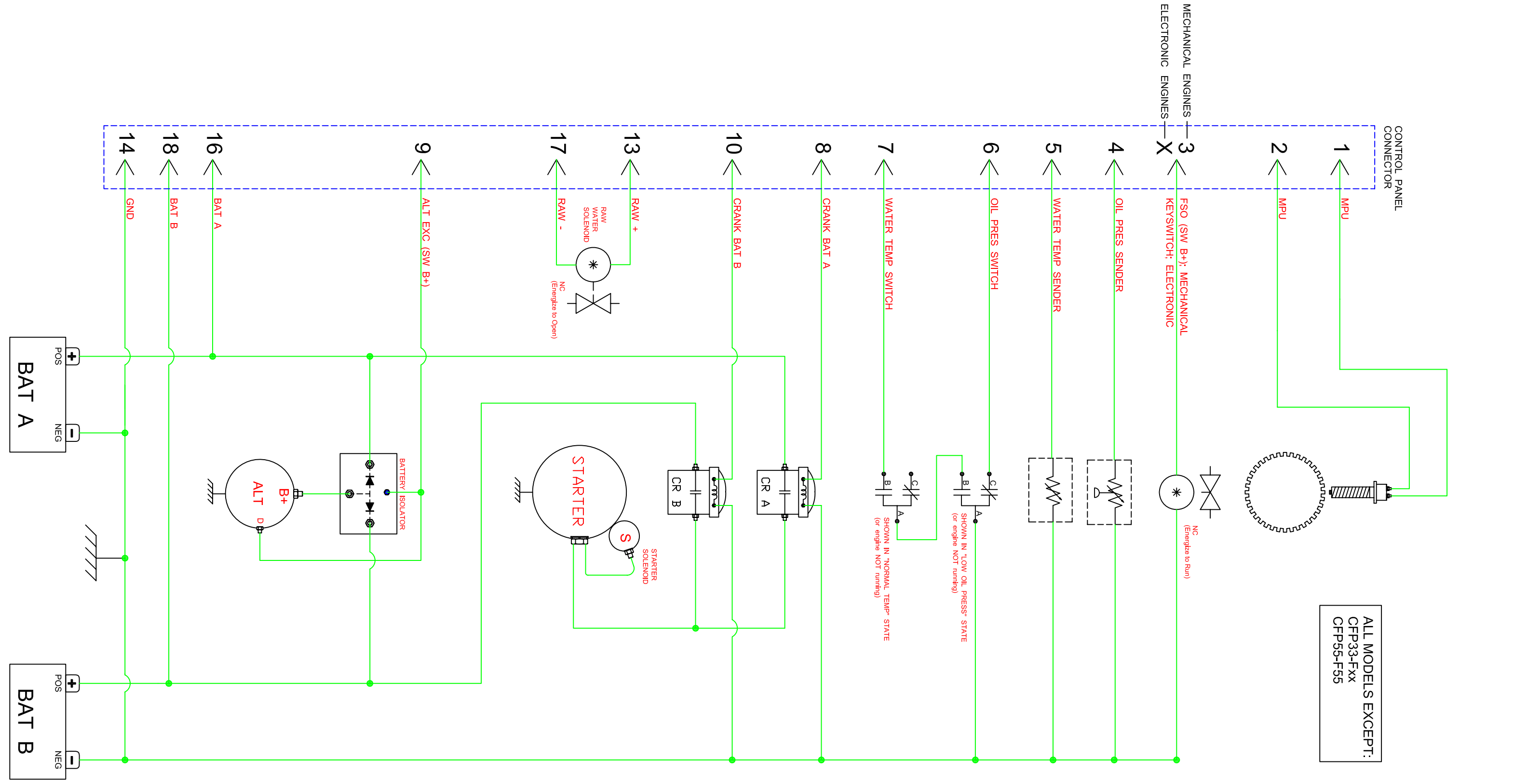


LEGEND:  
 K2 ECM/FUEL FAIL RELAY  
 R RESISTOR

NOTES: WIRE IS 14AWG UNLESS OTHERWISE NOTED  
 RED TEXT = WIRE TAG  
 GREEN TEXT = WIRE COLOR  
 WIRE COLOR IS WHITE UNLESS OTHERWISE NOTED  
 RESISTOR VALUE = 15Kohms, 1/2W  
 MINIMUM DIODE RATING: 6A/400V



<small>ALL RIGHTS TO MANUFACTURE, COPY, OR REPRODUCE THIS DRAWING OR ITS CONTENTS ARE RESERVED UNLESS OTHERWISE SPECIFIED BY WRITING BY CLUMMINS NPOWER, LLC</small>		<b>CLUMMINS NPOWER</b> CORPORATE OFFICE 1800 BIERKLE ROAD WHITE BEAR LAKE, MN WWW.NPOWER.CLUMMINS.COM		<b>CLUMMINS FIRE POWER</b> DESIGN CENTER 875 LAWRENCE DRIVE DEPERE, WISCONSIN WWW.CLUMMINSFIREPOWER.COM			
E	ADDED SHEETS 3, 4, 5, & 6	RJS	20 MAR 07	UNLESS OTHERWISE NOTED ALL DIMENSIONS ARE IN INCHES	DWG SCALE: N/A	DRAWN BY: RJS	DATE: 06_OCT_2005
D	SEE SHT 1 FOR REV CHANGE	RJS	19 SEPT 06	APPLY MACHINING TOLERANCES .015" - 2.000"	PLOT SCALE: N/A	APPD BY: --	DATE: --
C	REDRAW	RJS	3 JULY 06	.005" - 2.000"	DESCRIPTION SCHEMATIC; CONTROL_PANEL		
B	CHG'D WIRING OF K2	RJS	17 DEC 05	.002" - 2.000"	REFERENCE: FIREPUMP		
A	REF PAGE 1 REV NOTES	RJS	27 OCT 05	.001" - 2.000"	DRAWING NUMBER: 10423E_SHT2		
REV	DESCRIPTION OF REVISION	BY	DATE				



ALL MODELS EXCEPT:  
CFP33-Fxx  
CFP55-F55

<small>ALL RIGHTS TO MANUFACTURE, COPY OR REPRODUCE THIS DRAWING OR ITS CONTENTS OR ANY PART THEREOF ARE RESERVED BY CLUMMINS FIREPOWER, LLC</small>		<b>Fire Power</b> <small>CLUMMINS FIREPOWER CORPORATION OFFICE          1800 BIERKLE ROAD          WHITE BEAR LAKE, MN          WWW.FIREPOWER.COM</small>		<small>CLUMMINS FIRE POWER DESIGN CENTER          875 LAWRENCE DRIVE          DEPERE, WISCONSIN          WWW.CLUMMINSFIREPOWER.COM</small>																																																									
<table border="1"> <tr><td>E</td><td>ADDED SHEETS 3, 4, 5, &amp; 6</td><td>RJS</td><td>20 MAR 07</td></tr> <tr><td>D</td><td>SEE SHT 1 FOR REV CHANGE</td><td>RJS</td><td>19 SEPT 06</td></tr> <tr><td>C</td><td>REDREW</td><td>RJS</td><td>3 JULY 06</td></tr> <tr><td>B</td><td>CHG'D WIRING OF K2</td><td>RJS</td><td>17 DEC 05</td></tr> <tr><td>A</td><td>REF PAGE 1 REV NOTES</td><td>RJS</td><td>27 OCT 05</td></tr> <tr><td>REV</td><td>DESCRIPTION OF REVISION</td><td>BY</td><td>DATE</td></tr> </table>	E	ADDED SHEETS 3, 4, 5, & 6	RJS	20 MAR 07	D	SEE SHT 1 FOR REV CHANGE	RJS	19 SEPT 06	C	REDREW	RJS	3 JULY 06	B	CHG'D WIRING OF K2	RJS	17 DEC 05	A	REF PAGE 1 REV NOTES	RJS	27 OCT 05	REV	DESCRIPTION OF REVISION	BY	DATE	<table border="1"> <tr><td>UNLESS OTHERWISE NOTED</td><td>ALL DIMENSIONS ARE IN INCHES</td></tr> <tr><td>APPLY UNLESS TOLERANCES</td><td></td></tr> <tr><td>3/16" - 0.004</td><td></td></tr> <tr><td>3/32" - 0.003</td><td></td></tr> <tr><td>1/8" - 0.003</td><td></td></tr> <tr><td>1/4" - 0.003</td><td></td></tr> <tr><td>3/8" - 0.003</td><td></td></tr> <tr><td>1/2" - 0.003</td><td></td></tr> </table>	UNLESS OTHERWISE NOTED	ALL DIMENSIONS ARE IN INCHES	APPLY UNLESS TOLERANCES		3/16" - 0.004		3/32" - 0.003		1/8" - 0.003		1/4" - 0.003		3/8" - 0.003		1/2" - 0.003		<table border="1"> <tr><td>DWG SCALE:</td><td>N/A</td><td>DRAWN BY:</td><td>RJS</td><td>DATE:</td><td>06_OCT_2005</td></tr> <tr><td>PLOT SCALE:</td><td>N/A</td><td>APPD BY:</td><td>---</td><td>DATE:</td><td>---</td></tr> </table>	DWG SCALE:	N/A	DRAWN BY:	RJS	DATE:	06_OCT_2005	PLOT SCALE:	N/A	APPD BY:	---	DATE:	---	<table border="1"> <tr><td>DESCRIPTION:</td><td>ENGINE_SCHEMATIC</td></tr> <tr><td>REFERENCE:</td><td>FIREPUMP</td></tr> <tr><td>DRAWING NUMBER:</td><td>10423E_SHT3</td></tr> </table>	DESCRIPTION:	ENGINE_SCHEMATIC	REFERENCE:	FIREPUMP	DRAWING NUMBER:	10423E_SHT3
E	ADDED SHEETS 3, 4, 5, & 6	RJS	20 MAR 07																																																										
D	SEE SHT 1 FOR REV CHANGE	RJS	19 SEPT 06																																																										
C	REDREW	RJS	3 JULY 06																																																										
B	CHG'D WIRING OF K2	RJS	17 DEC 05																																																										
A	REF PAGE 1 REV NOTES	RJS	27 OCT 05																																																										
REV	DESCRIPTION OF REVISION	BY	DATE																																																										
UNLESS OTHERWISE NOTED	ALL DIMENSIONS ARE IN INCHES																																																												
APPLY UNLESS TOLERANCES																																																													
3/16" - 0.004																																																													
3/32" - 0.003																																																													
1/8" - 0.003																																																													
1/4" - 0.003																																																													
3/8" - 0.003																																																													
1/2" - 0.003																																																													
DWG SCALE:	N/A	DRAWN BY:	RJS	DATE:	06_OCT_2005																																																								
PLOT SCALE:	N/A	APPD BY:	---	DATE:	---																																																								
DESCRIPTION:	ENGINE_SCHEMATIC																																																												
REFERENCE:	FIREPUMP																																																												
DRAWING NUMBER:	10423E_SHT3																																																												