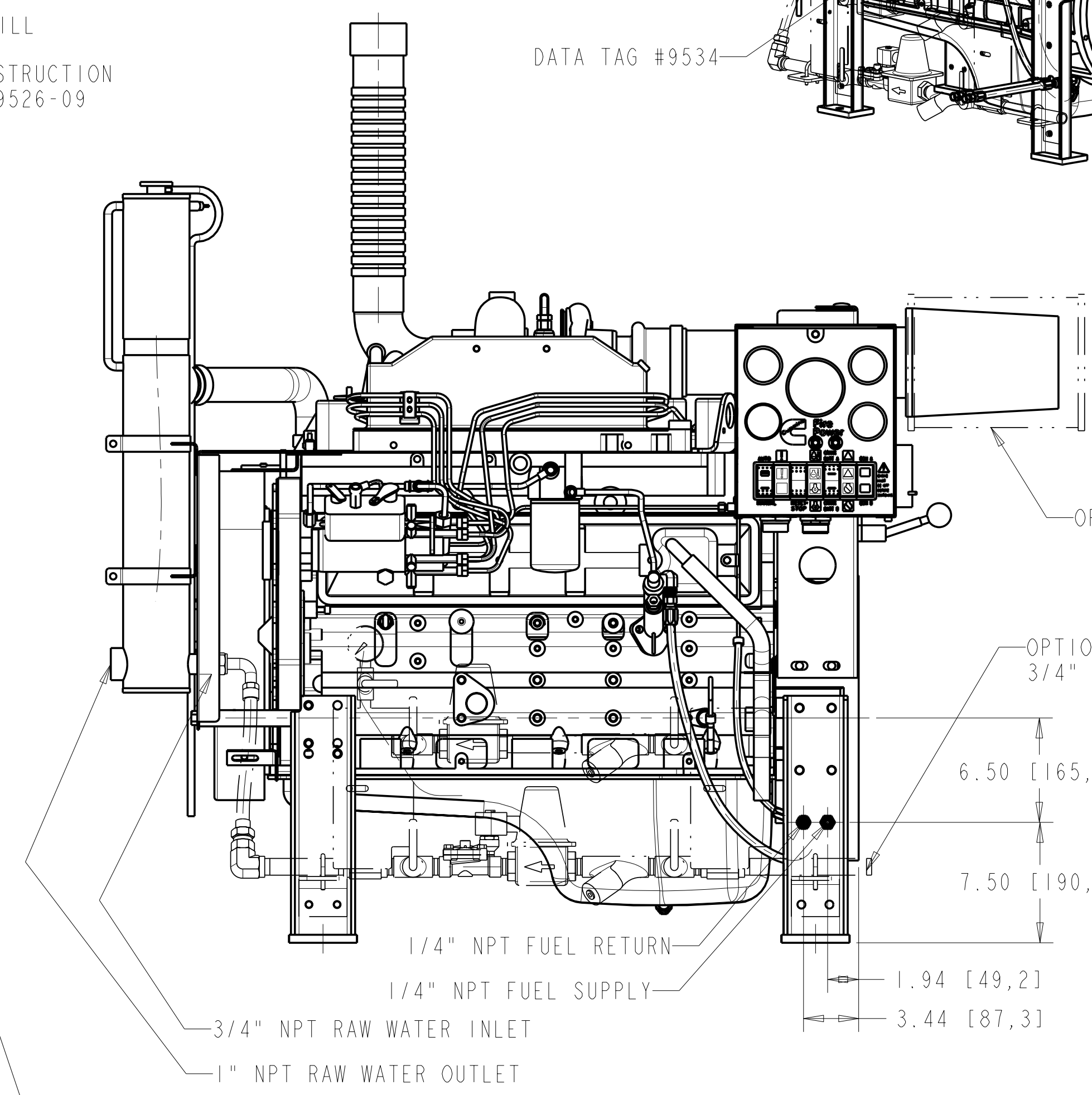
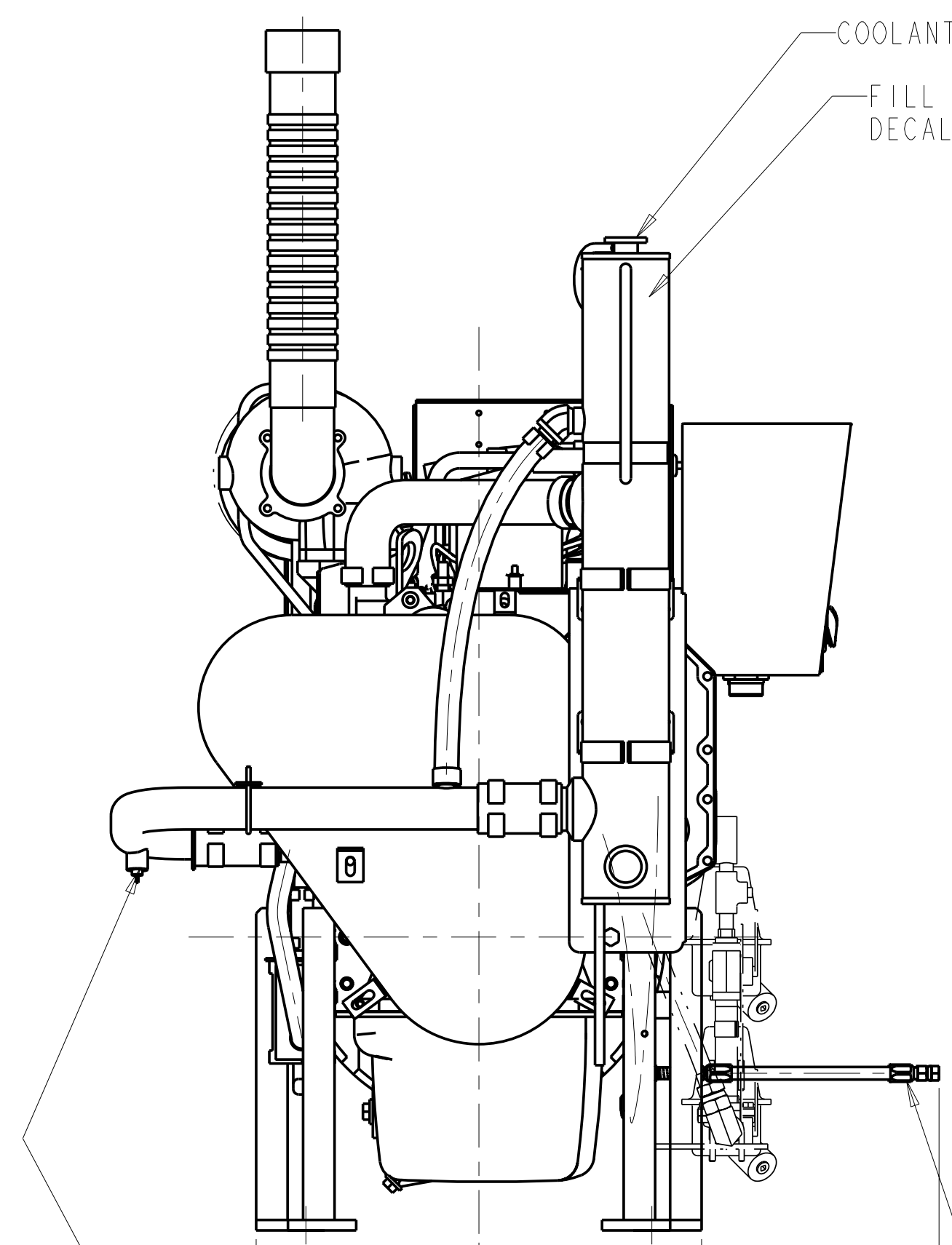
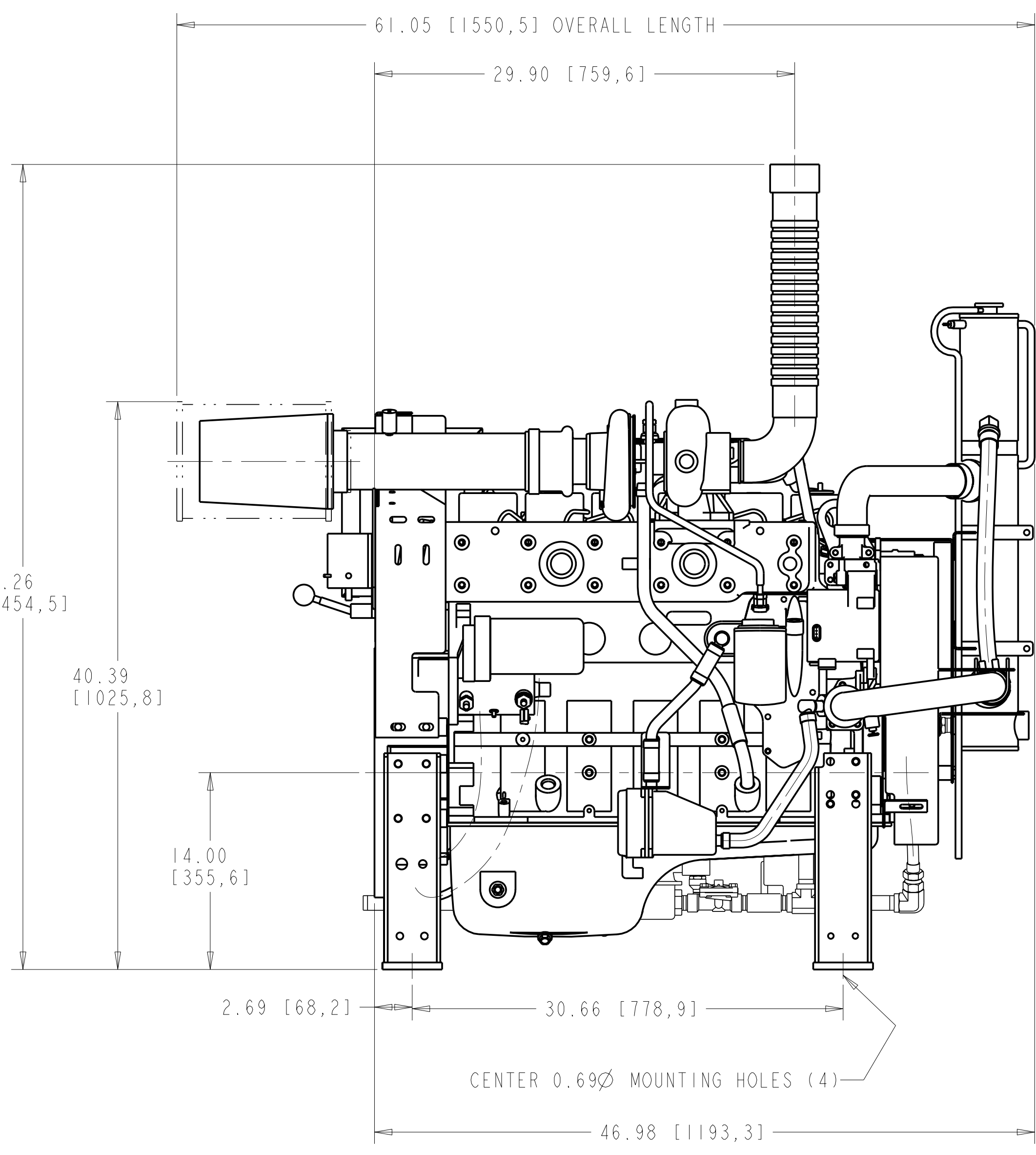
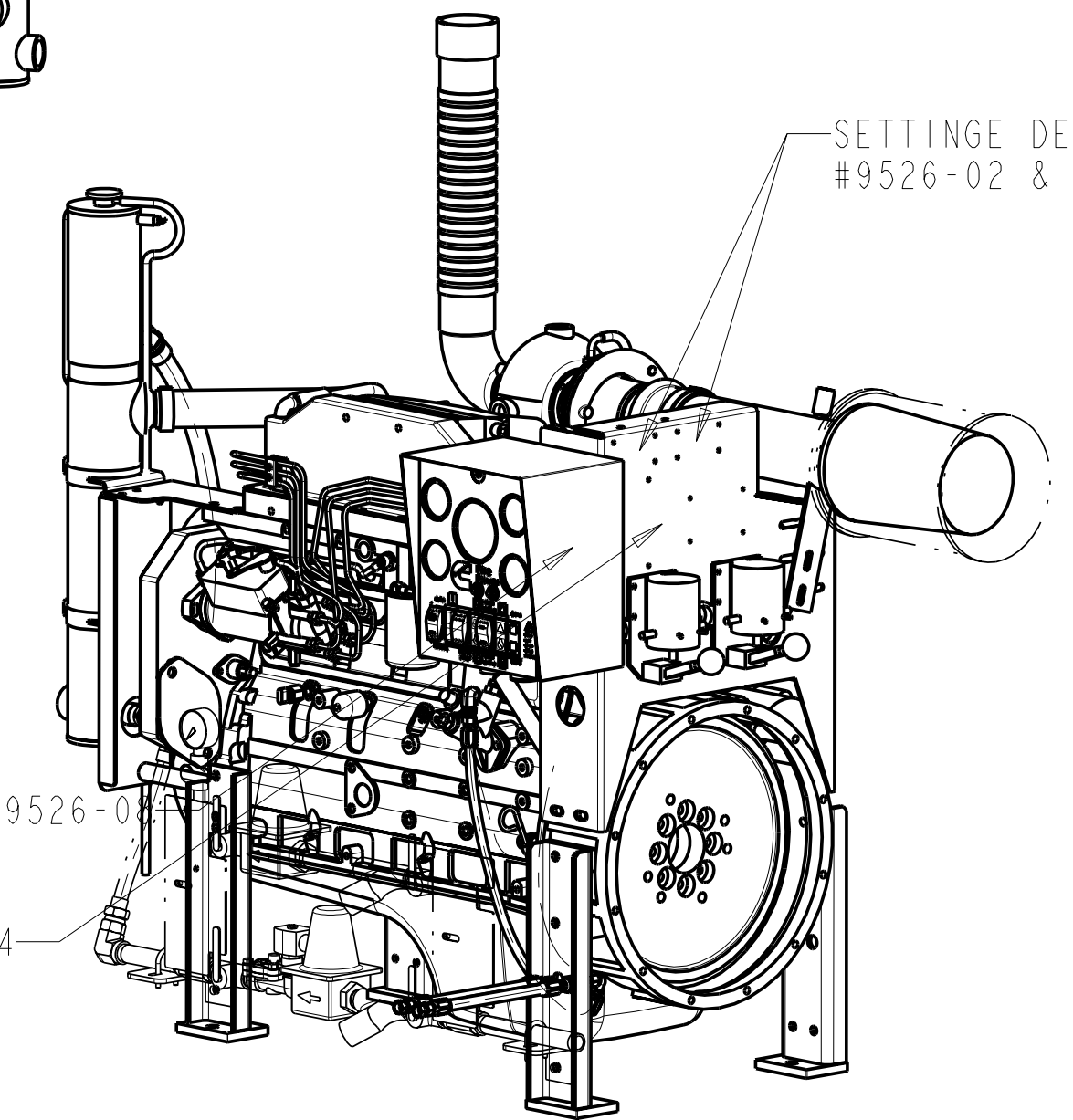
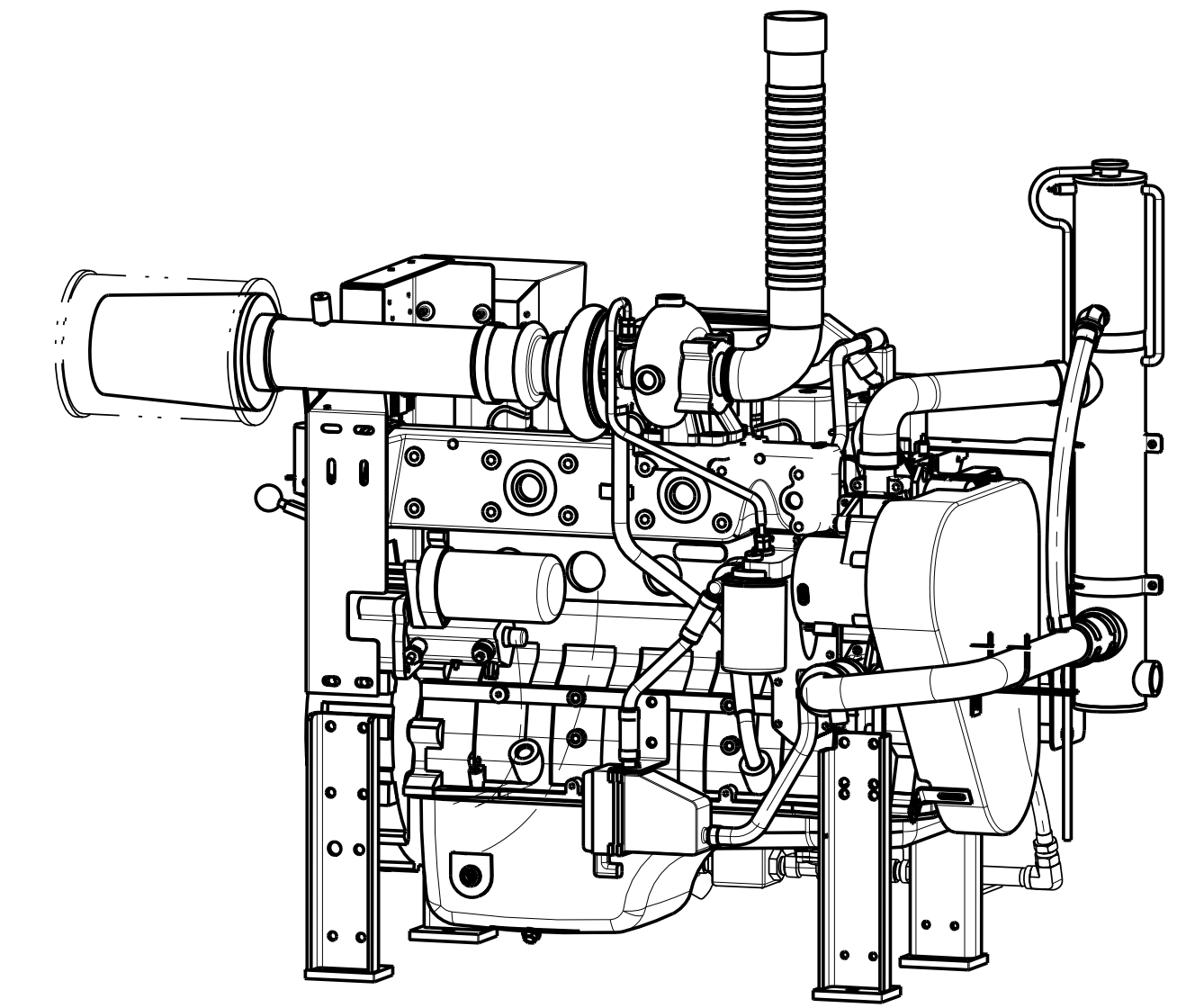
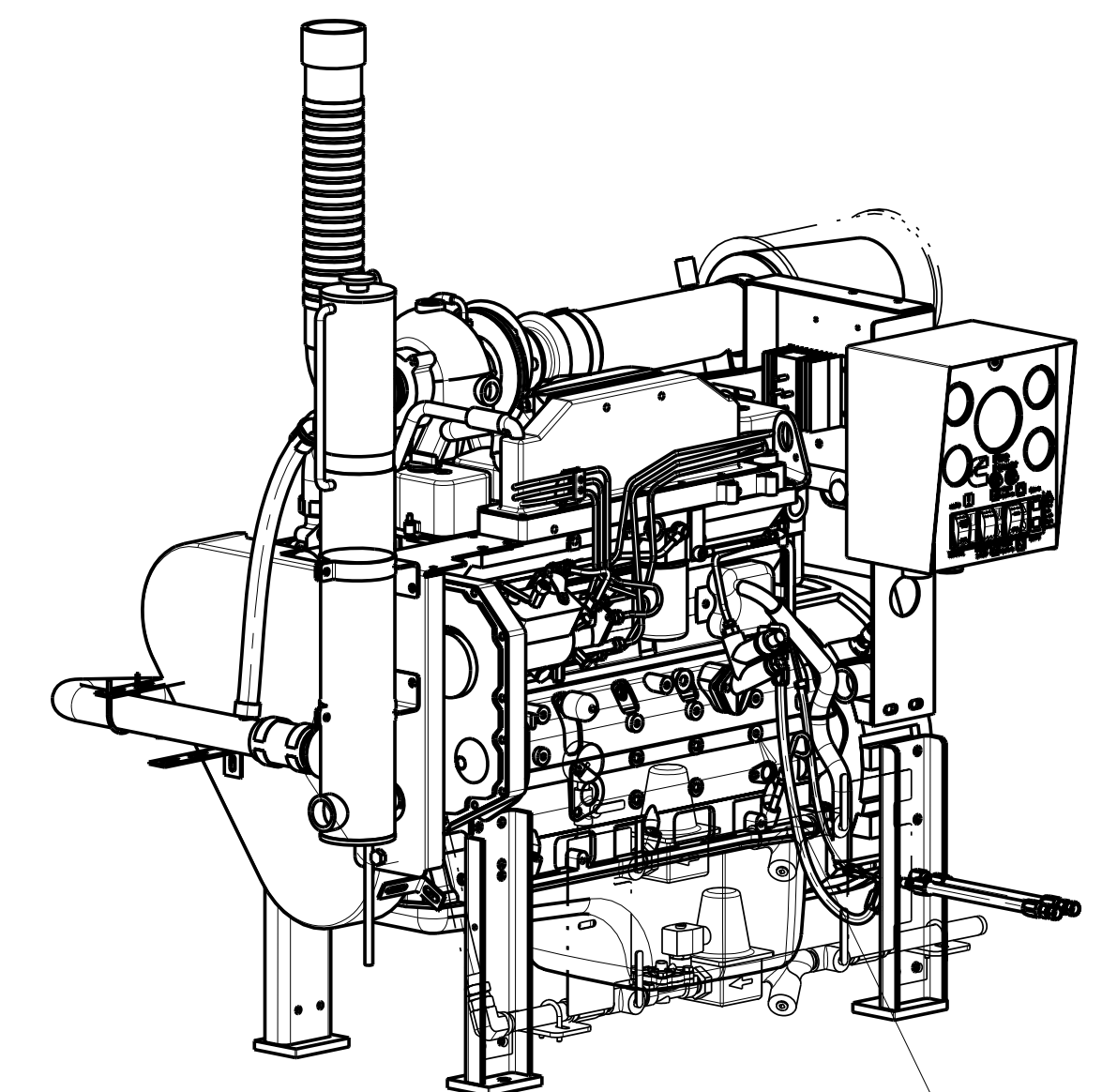
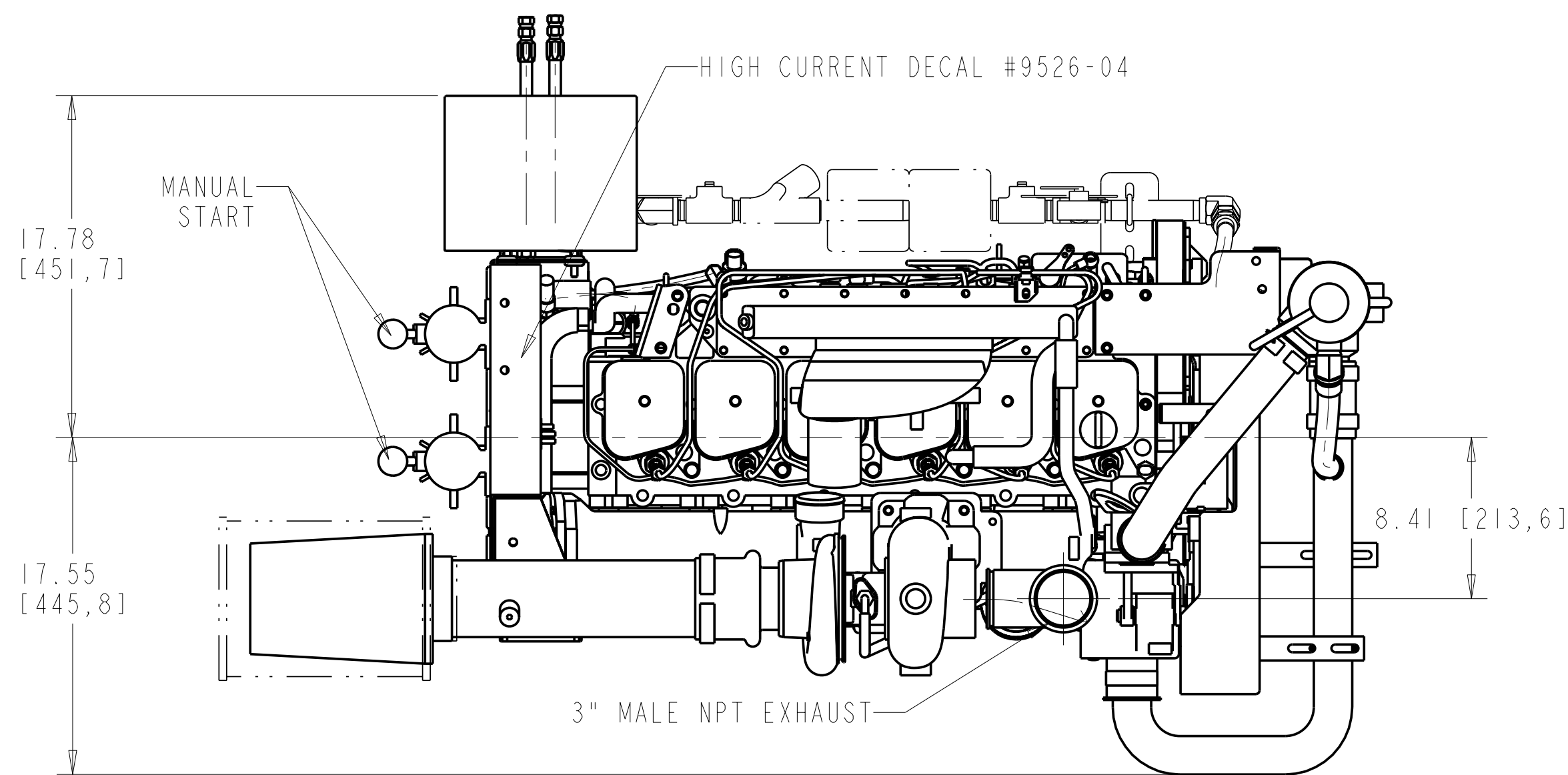


BILL OF MATERIAL			
ITEM	QTY	DESCRIPTION	PART NUMBER
1	1	ASSEMBLY, COOLANT HEATING, 6B	8556
2	1	ASSEMBLY, FUEL CONNECTION	8568
3	1	ASSEMBLY, HEAT EXCHANGER W/O CAC, FIREPUMP, NFP-659	8650
4	1	ASSEMBLY, RAW WATER COOLING, 3/4" NPT, FIREPUMP	8682
5	1	ASSEMBLY, ENGINE, 6B MARINE, FIREPUMP, CFP59...	8741
6	1	ASSEMBLY, OPERATORS STATION, 6B MARINE, FIREPUMP	9560
7	1	ASSEMBLY, POWER MODULE, 6B MARINE ENGINE, FIREPUMP, CFP59F55	9562
8	1	ASSEMBLY, SENSOR PACKAGE, FIREPUMP	9568
9	1	MISC PIPING, RAW WATER, 6B, FIREPUMP	9634
10	2	FUEL LINE, #6, 1/4" NPT x 12" LG	10235



UNLESS OTHERWISE SPECIFIED ALL DIMENSIONS/TOLERANCES ARE ANGULAR DIMENSIONS ± 1° IMPERIAL UNITS METRIC UNITS THIRD ANGLE PROJECTION

Cummins **Power** **LLC**
 CORPORATE OFFICE
 1600 DIERKLE ROAD
 WHITE BEAR LAKE, MN
 WWW.NPWR.COM/CUMMINS

NPWR SYSTEMS
 BOSTON CENTER
 835 LAWRENCE DRIVE
 DEPERE, WISCONSIN

TITLE 1: ASSEMBLY, CFP59-F55		TITLE 2: FIREPUMP, 6B5.9TA	
DWG UNITS: IN/LBS	DRAWN BY: DAVE N	DATE: 10AUG2004	DATE: -
EST WEIGHT: 1138.000	SCALE: DO NOT SCALE	SHEET 10F1	DRAWING NO: REV: E

REV	DESCRIPTION OF REVISION	REV BY	DATE
E	REV PER OP STATION, AIR CLEANER	DAVE N	15DEC06