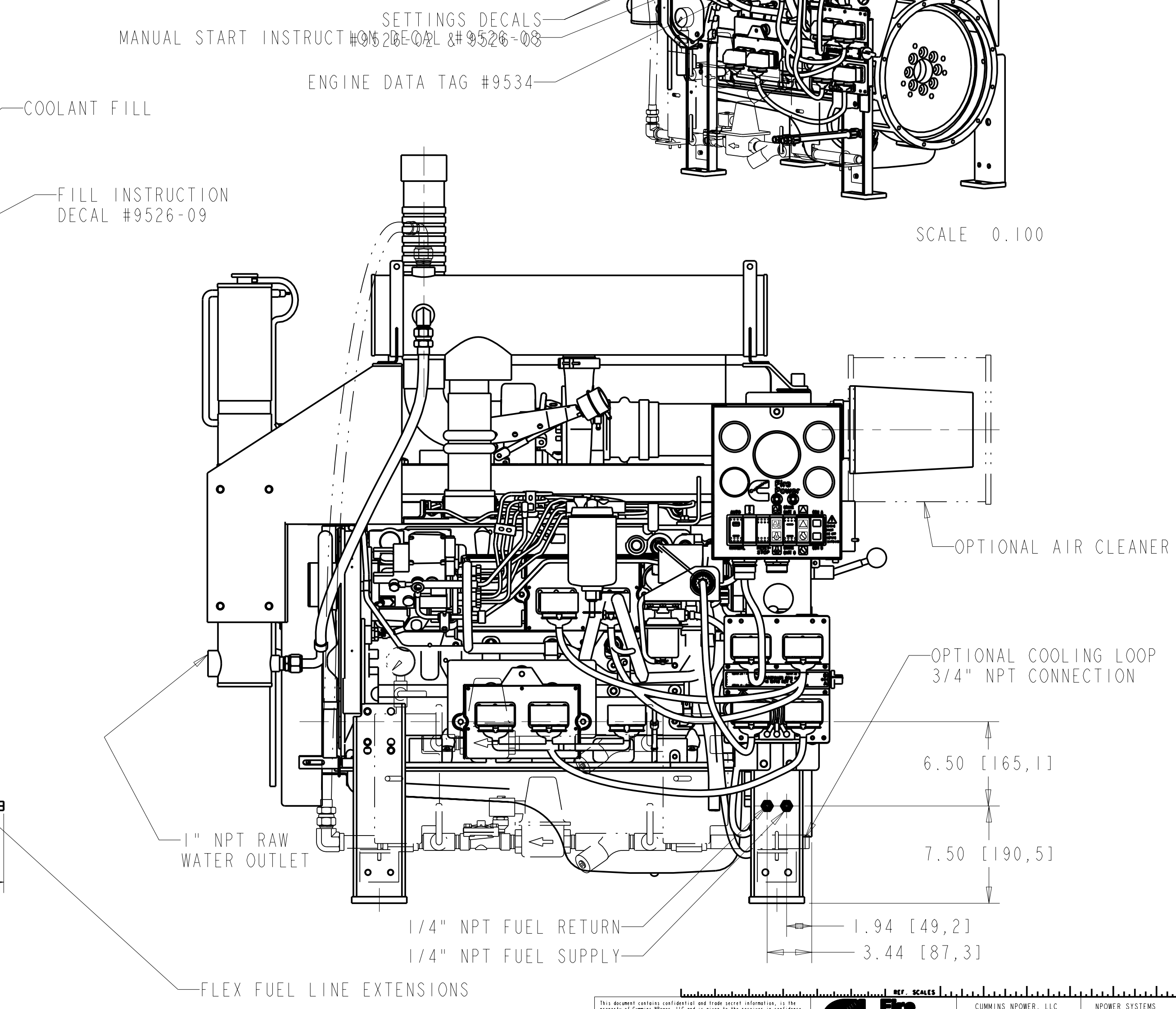
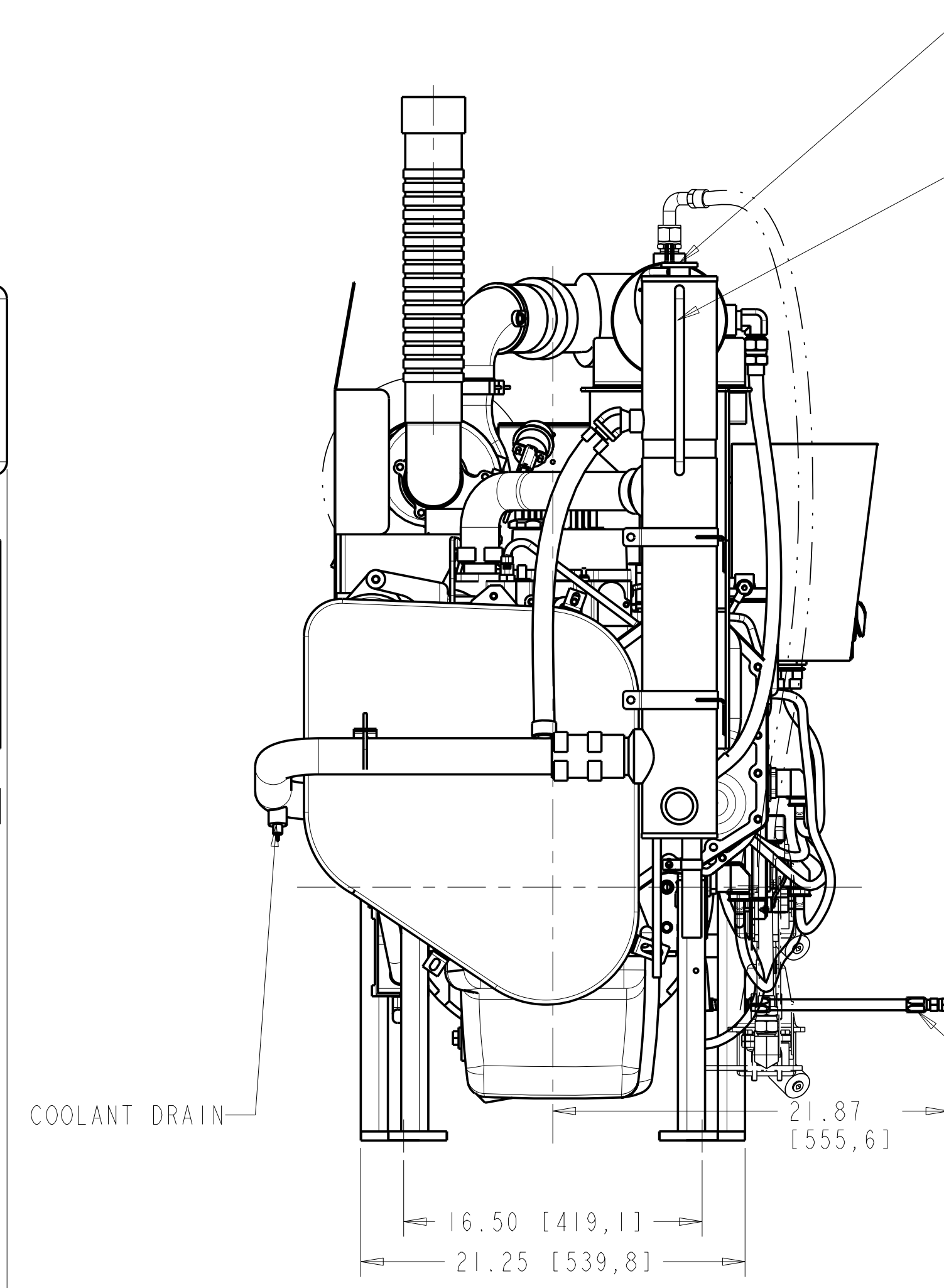
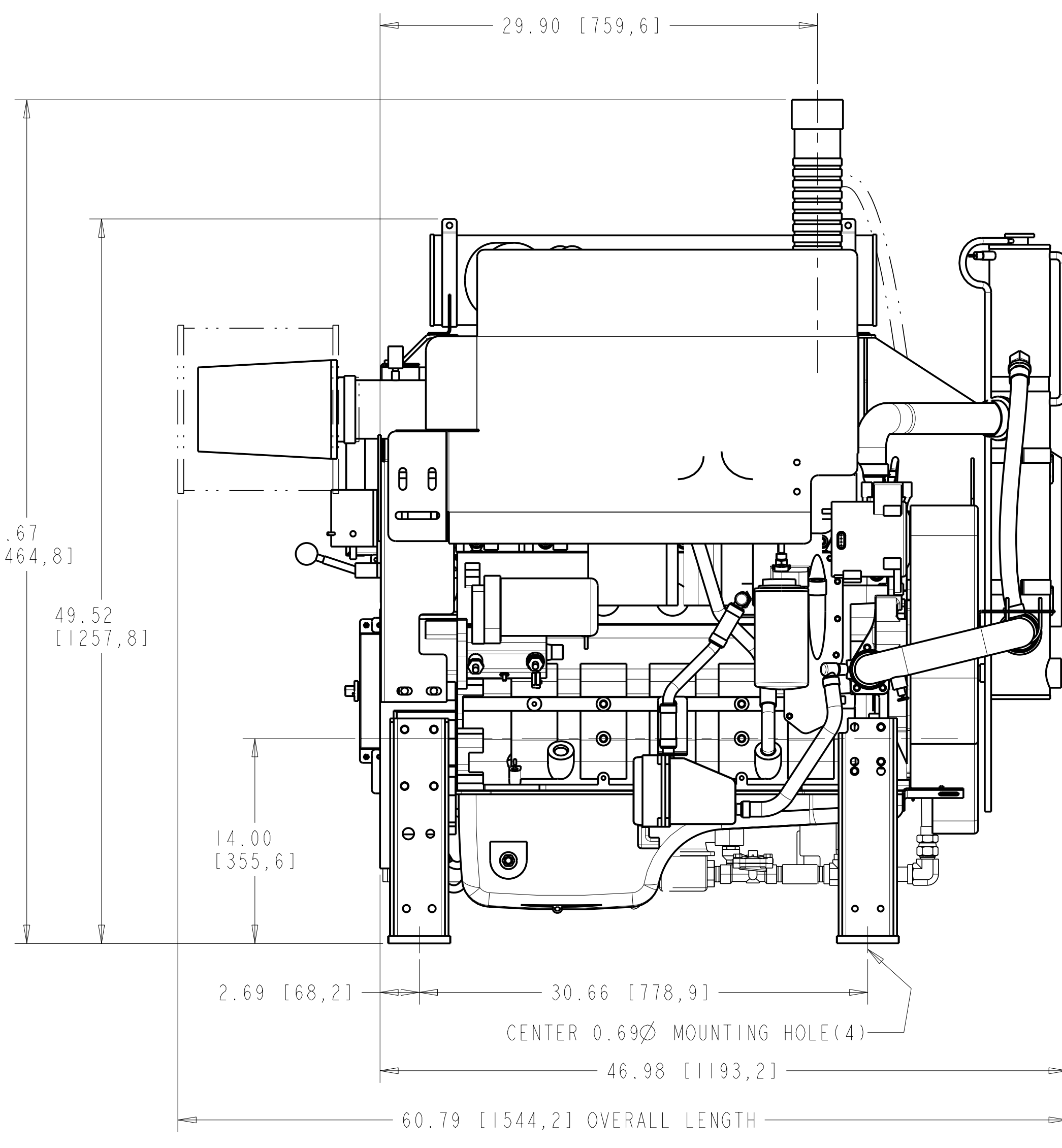
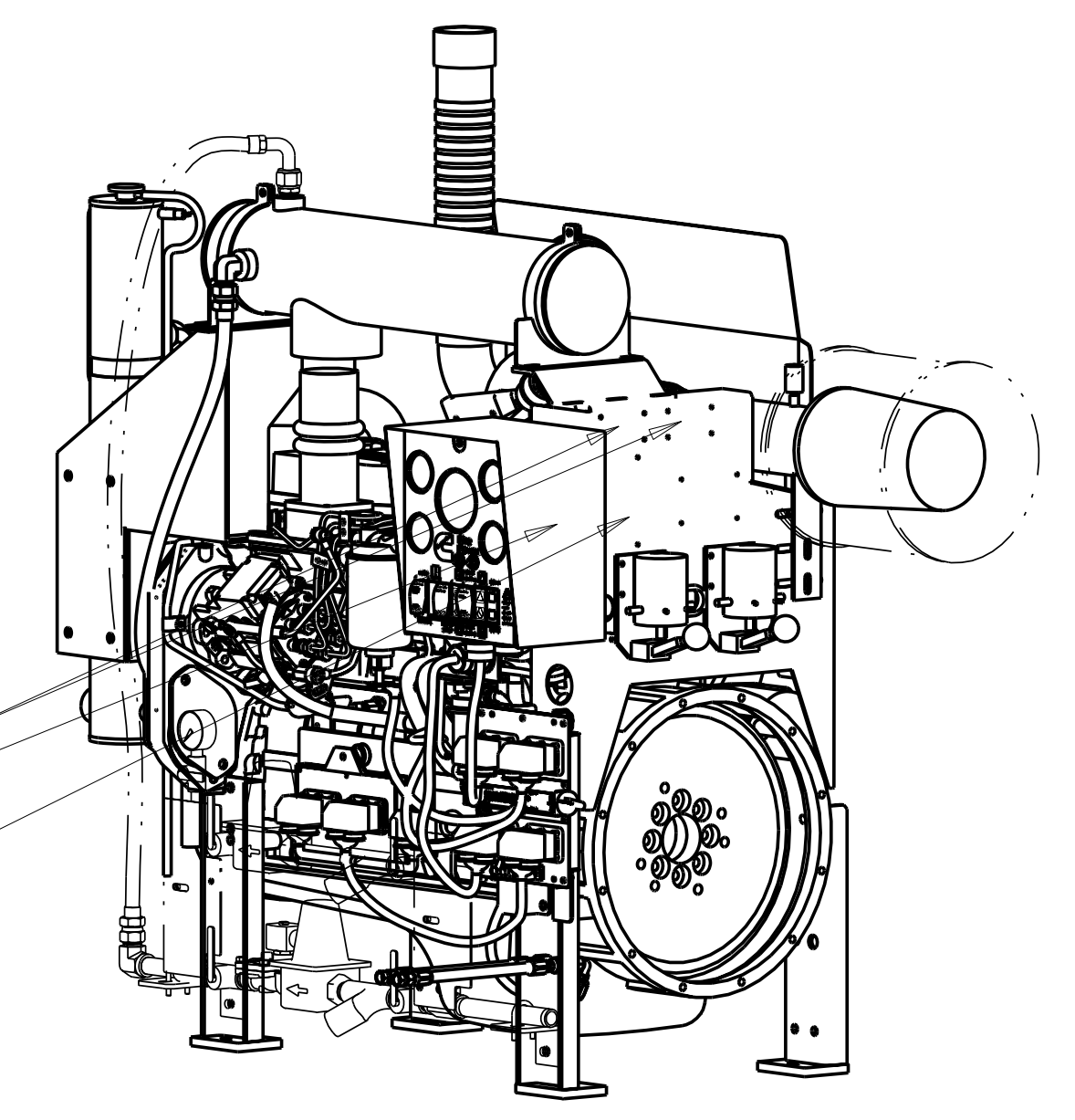


BILL OF MATERIAL			
ITEM	QTY	DESCRIPTION	PART NUMBER
1	1	ASSEMBLY, POWER MODULE, CFP6E, FIREPUMP	8527
2	1	ASSEMBLY, COOLANT HEATING, 6B	8556
3	1	ASSEMBLY, HEAT EXCHANGER W/O CAC, FIREPUMP, NFP-659	8665
4	1	ASSEMBLY, CHARGE AIR COOLER, QSB5.9, FIREPUMP	8676
5	1	ASSEMBLY, RAW WATER COOLING, 3/4" NPT, FIREPUMP	8682
6	1	ASSEMBLY, ENGINE, QSB5.9, FIREPUMP	8727_ENG
7	1	ASSEMBLY, SENSOR PACKAGE, FIREPUMP	9568_QSB59
8	1	ASSEMBLY, OPERATORS STATION, QSB5.9, FIREPUMP	9583
9	1	ASSEMBLY, FUEL PLUMBING, QSB5.9, FIREPUMP	9584
10	1	PIPING, MISC, CFP6E	9638
11	2	FUEL LINE, #6, 1/4" NPT x 12" LG	10235
12	1	ASSEMBLY, SECONDARY ECM, CFP6E, FIREPUMP	11322



UNLESS OTHERWISE SPECIFIED ALL DIMENSION TOLERANCES ARE: ANGULAR DIMENSIONS ± 1° IMPERIAL UNITS METRIC UNITS THIRD ANGLE PROJECTION		EST WEIGHT: 1435.000 SCALE: 0.150 SHEET: 10/1 DRAWING NO: 8707		DATE: 11MAY2004 DATE:	
REV	DESCRIPTION OF REVISION	REV BY	DATE		CUMMINS POWER, LLC CORPORATE OFFICE 600 DIERKE ROAD WHITE BEAR LAKE, WI WWW.NPOWER.CUMMINS.COM
TITLE 1: POWER MODULE, CFP6E-F15/25/35 TITLE 2: FIREPUMP, QSB5.9-C275			DRAWN BY: DAVE N APPD BY:		