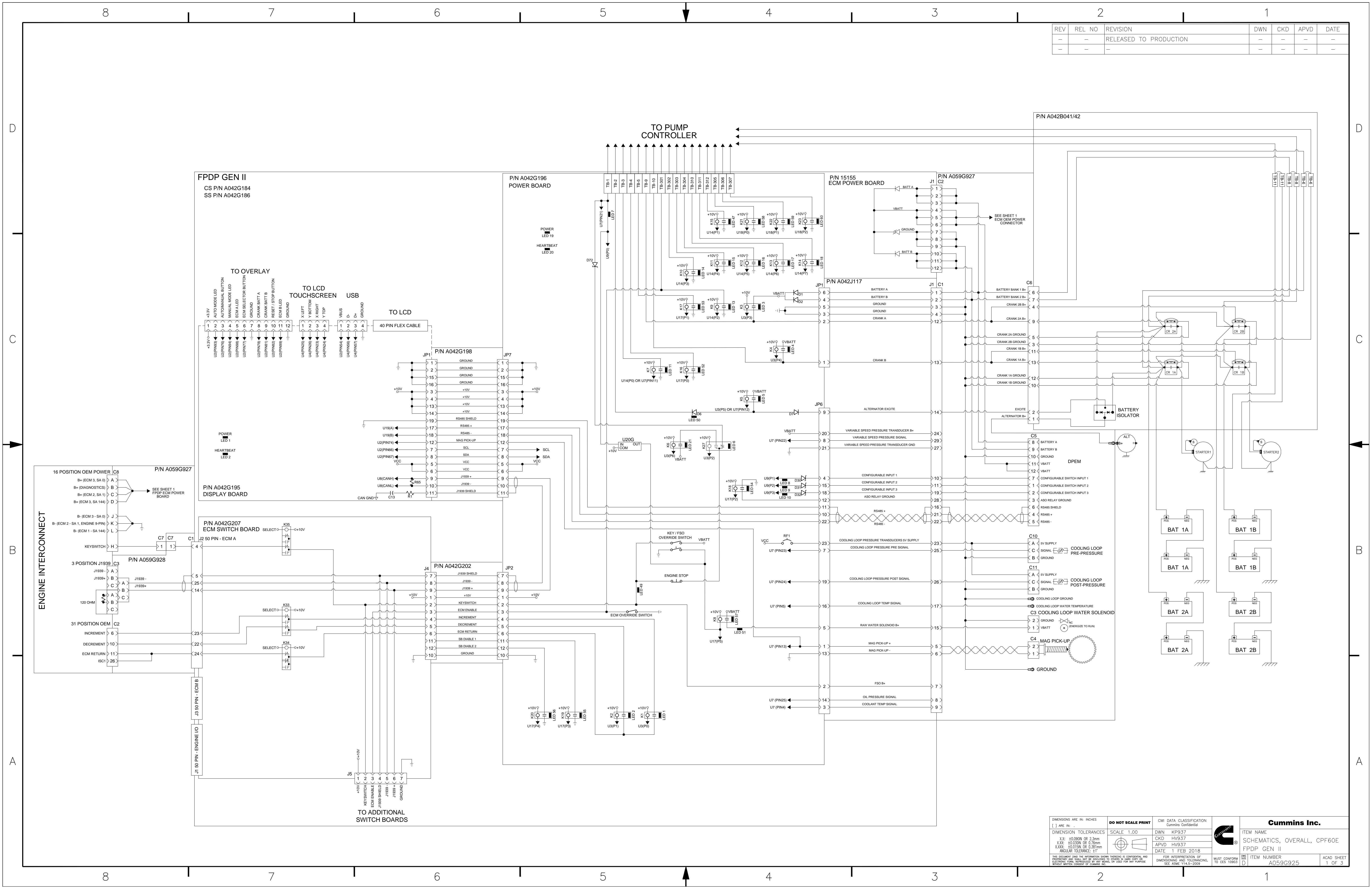


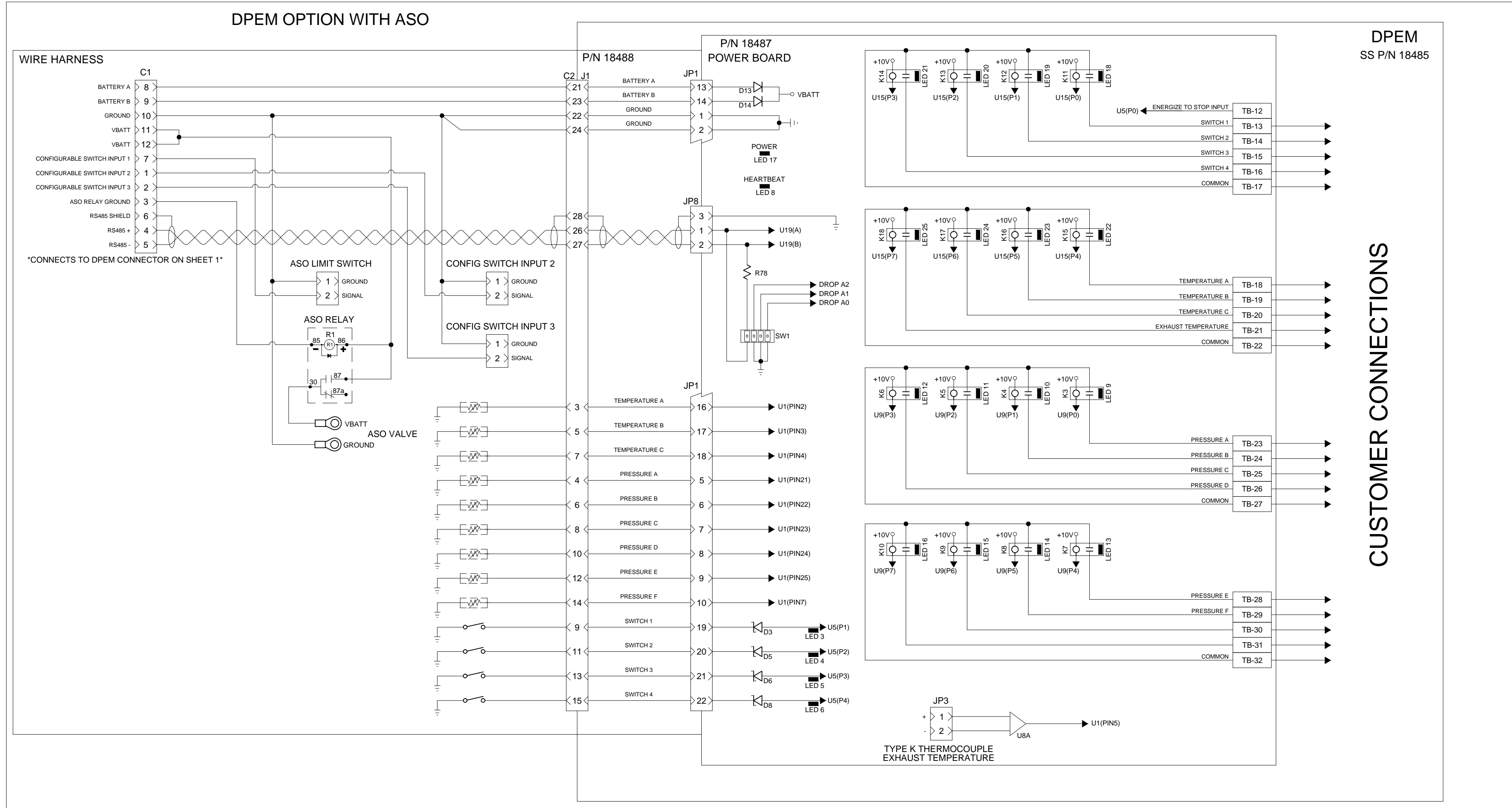
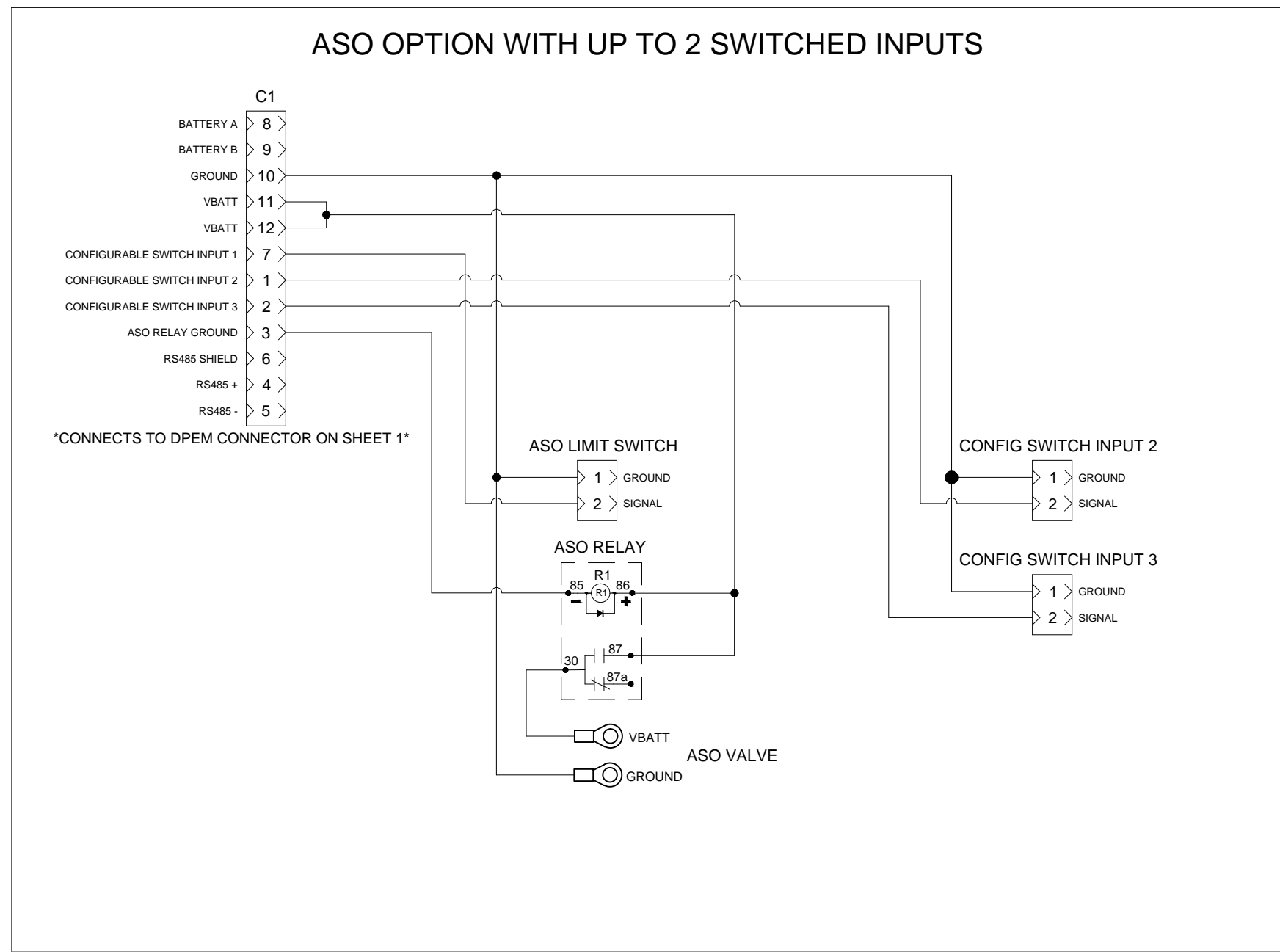
REV	REL NO	REVISION	DWN	CKD	APVD	DATE
-	-	RELEASED TO PRODUCTION	-	-	-	-
-	-	-	-	-	-	-



DIMENSIONS ARE IN INCHES () ARE IN DIMENSION TOLERANCES XX: ±0.00IN OR 2.5mm XXX: ±0.00IN OR 0.15mm LXXX: ±0.01IN OR 0.25mm ANGULAR TOLERANCE: ±1°	DO NOT SCALE PRINT SCALE 1:00	CMI DATA CLASSIFICATION Cummins Confidential DWN KP937 CKD HV937 APVD HV937 DATE 1 FEB 2018		Cummins Inc. ITEM NAME SCHEMATICS, OVERALL, CPF60E FPDP GEN II ITEM NUMBER A059G925 ACAD SHEET 1 OF 3
---	---	--	--	---

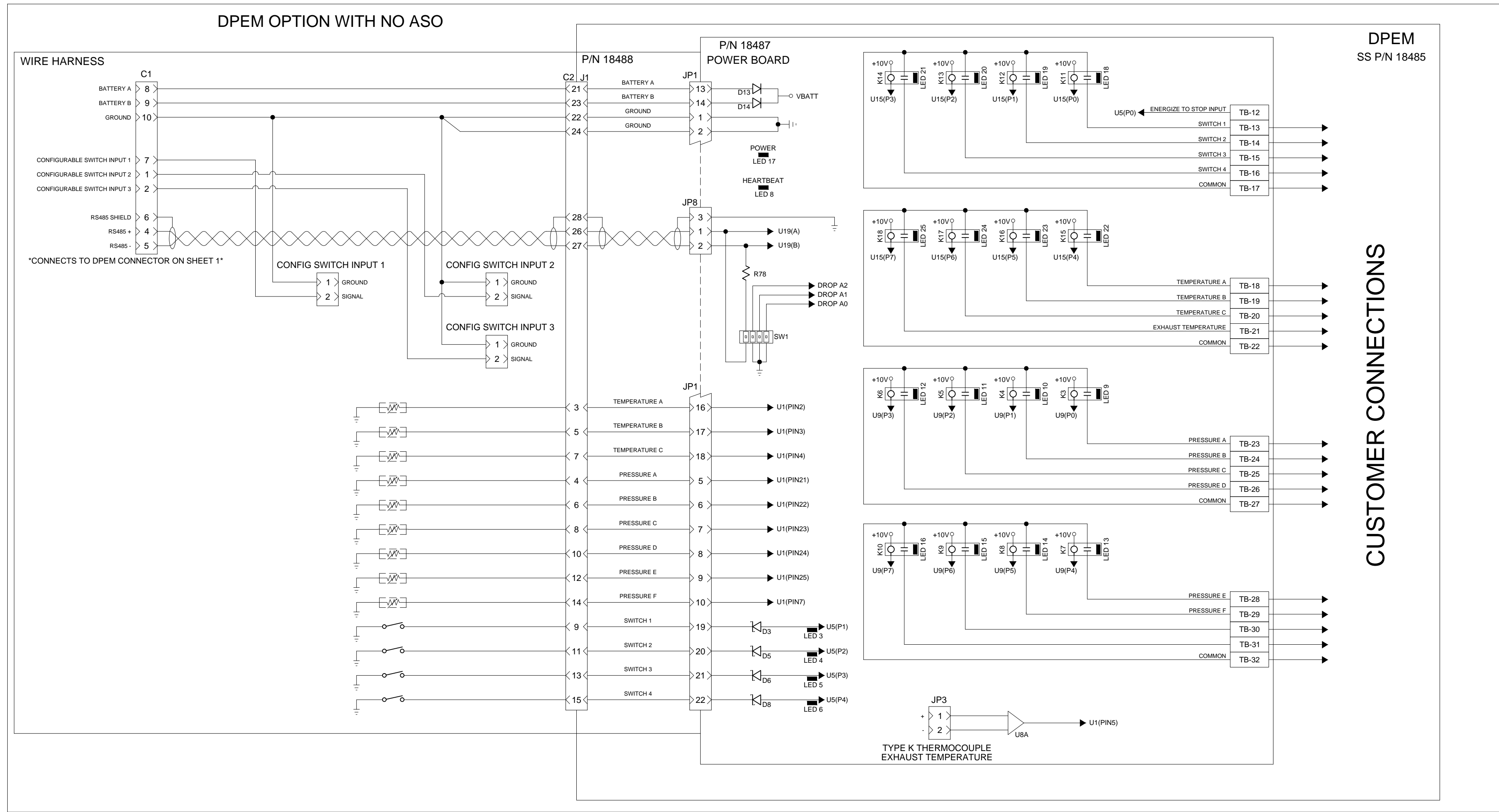
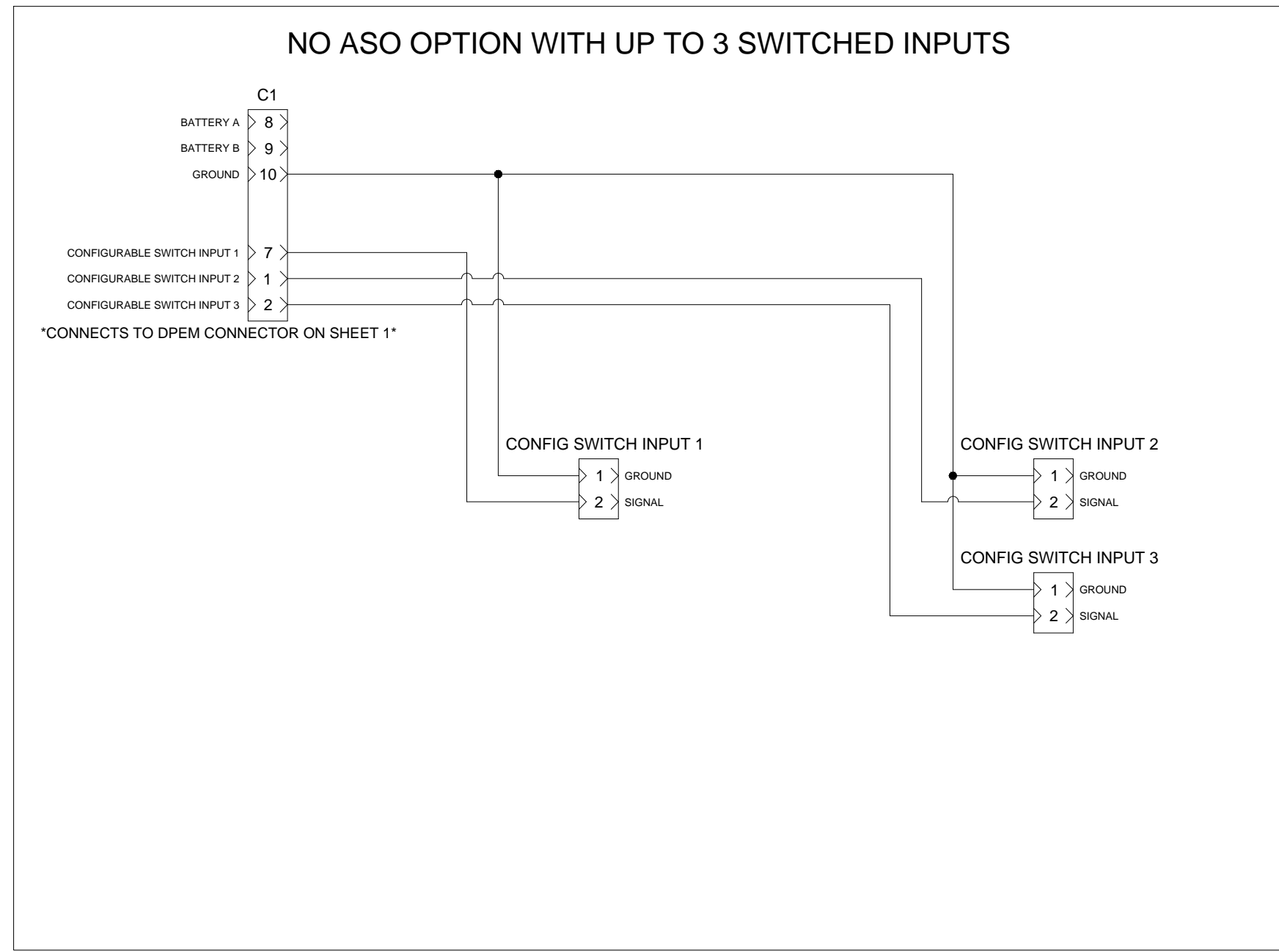
REV	REL NO	REVISION	DWN	CKD	APVD	DATE
-	-	RELEASED TO PRODUCTION	-	-	-	-
-	-	-	-	-	-	-

IF AIR SHUT-OFF (ASO) IS SELECTED, THE UL/FM LISTING IS REMOVED AS THIS OPTION IS NOT ALLOWED PER THE STANDARDS.



DIMENSIONS ARE IN: INCHES [] ARE IN: MILLIMETERS	DO NOT SCALE PRINT	DATE CLASSIFICATION Cummins Confidential		Cummins Inc. ITEM NAME SCHEMATICS, OVERALL, CPF60E FFD, GEN II
DIMENSION TOLERANCES XX: ±0.000 IN OR 2.5mm XXX: ±0.003 IN OR 0.15mm LXXX: ±0.010 IN OR 0.25mm ANGULAR TOLERANCE: ±1°	SCALE 1.00	DWN KP937 CKD HV937 APVD HV937 DATE 1 FEB 2018		
<small>THIS DOCUMENT AND THE INFORMATION CONTAINED HEREIN IS CONFIDENTIAL AND PROPRIETARY AND SHALL NOT BE DISCLOSED TO OTHERS IN ANY FORM OR BY ANY MEANS, ELECTRONIC, MECHANICAL, PHOTOCOPYING, RECORDING, OR BY ANY INFORMATION STORAGE AND RETRIEVAL SYSTEM, WITHOUT THE WRITTEN CONSENT OF CUMMINS INC.</small>			MUST CONFORM TO IES 10000	ACAD SHEET 2 OF 3

REV	REL NO	REVISION	DWN	CKD	APVD	DATE
-	-	RELEASED TO PRODUCTION	-	-	-	-
-	-	-	-	-	-	-



DIMENSIONS ARE IN: INCHES () ARE IN: MILLIMETERS DIMENSION TOLERANCES XX: ±0.000 IN OR 2.5mm XXX: ±0.000 IN OR 0.15mm XXXX: ±0.000 IN OR 0.20mm ANGULAR TOLERANCE: ±1°	DO NOT SCALE PRINT SCALE 1.00	CMI DATA CLASSIFICATION Cummins Confidential DWN KP937 CKD HV937 APVD HV937 DATE 1 FEB 2018		Cummins Inc. ITEM NAME SCHEMATICS, OVERALL, CPF60E FFD, GEN II ITEM NUMBER A059G925	ACAD SHEET 3 OF 3
---	---	--	--	---	----------------------