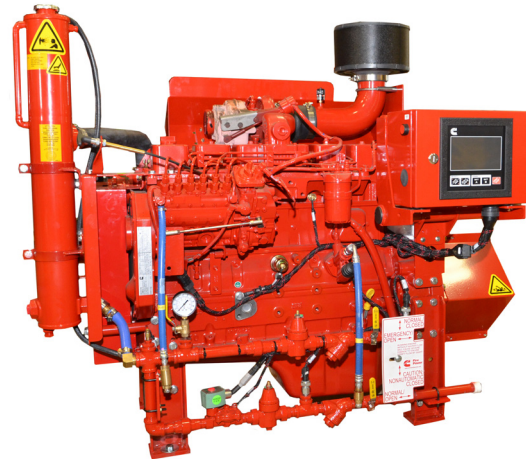




Specification sheet

Fire pump drive engine

CFP59-F25



Description

Engine series - Cummins B5.9 Series

Exhaust emissions - Non-certified

When performance matters, we take notice. Our engines are an assurance of safety specifically designed to fit your needs. The CFP59 engine is built to last. With over 12,000 installations worldwide, the painstaking attention to detail in the design makes this engine reliable and durable. It'll be on the job, ready to start every day for years to come.

Features

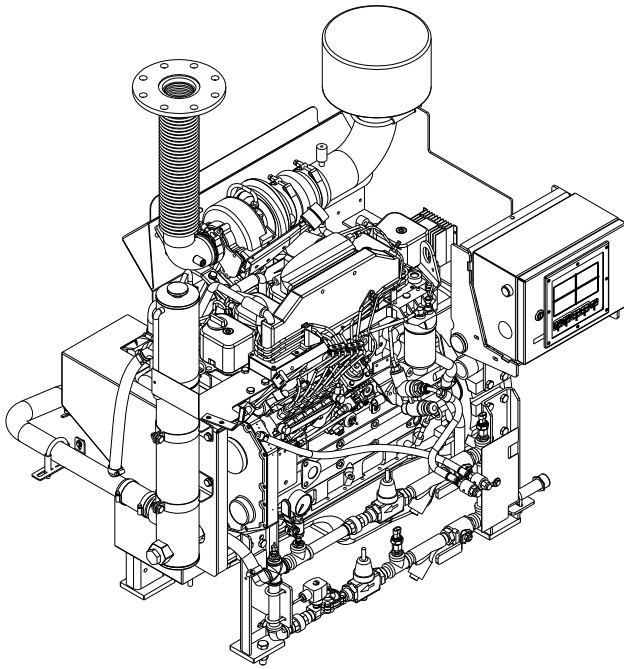
Certified power - The CFP59-F25 complies with NFPA 20 and is UL 1247-listed and FM 1333-approved.

Control system - The industry-leading, state-of-the-art Fire Pump Digital Panel (FPDP) provides total fire pump drive engine system integration and intuitive operation, including:

- Color touchscreen;
- Dual microprocessors for critical signal redundancy; and
- Optional Modbus protonode remote messaging capability.

Warranty and service - Our models are backed by a comprehensive warranty and worldwide distributor network.

Operating speed (RPM)	Ratings in HP (kW)					
	2100		2350		2600	
CFP59-F25	140	(104)	140	(104)	140	(104)



General engine data	
Engine type	4 cycle; in-line, 6 cylinder
Aspiration	Turbocharged and after-cooled
Bore and stroke	4.02 x 4.72 in. (102 x 120 mm)
Displacement	359 in ³ (5.9 L)
Rotation	Counterclockwise from fly-wheel end
Compression ratio	16.5:1
Valves per cylinder	Intake - 1 Exhaust - 1
Fuel system	Bosch mechanical
Maximum allowable bending moment @ rear face of block	1000 lb.-ft. (1356 N-m)
Estimated wet weight*	1760 lbs. (798 kg)

* Weight includes engine, cooling loop, heat exchanger, dual Electronic Control Modules (ECMs), Fire Pump Digital Panel (FPDP), standard air cleaner, standard exhaust flex, and all fluids.

Equipment	Standard	Optional
Air cleaner	Disposable; treated for high humidity, indoor service	Heavy-duty, two-stage with replaceable elements
Alternator	12V-DC, 95 amps; includes belt guard	24V-DC, 45 amps with belt guard
Cooling loop (maximum pressure of 300 PSI)	3/4" diameter for fresh water; includes alarm sensors and FM-approval	Cu Ni construction available for sea water applications; approved loops up to 1 1/4"
Cooling system	Tube and shell type, 60 PSI with NPTF connections	N/A
Engine heater	120V-AC, 1500 watts	240V-AC, 1500 watts
Exhaust protection	Metal guards on manifolds and turbocharger	N/A
Exhaust flex connection	Stainless steel flex, NPT	Stainless steel flex, 150# flange
Flywheel power take-off	Flywheel	Driveshaft system; stub shaft
Fuel connections	Fire-resistant flexible supply and return lines	N/A
Fuel filter	Primary filter with priming pump	N/A
Governor, speed	Constant speed	N/A
Fire pump digital panel (FPDP)	7" color touchscreen; enclosure rated as Type 2/Type 4X; Imperial and metric values	Optional 316SS construction; custom gauges with digital panel expansion module (DPEM)
Lube oil cooler	Engine-water-cooled, plate type	N/A
Lube oil filter	Full-flow with by-pass valve	N/A
Lube oil pump	Gear-driven	N/A
Manual start controls	On FPDP and/or contactors	N/A
Overspeed controls	Electronic with reset and test on FPDP	N/A
Starter	12V-DC	24V-DC

Air induction system

Maximum temperature rise between ambient air and engine air inlet	30 °F (16.7 °C)
Maximum inlet restriction with dirty filter	25 in. H ₂ O (635 mm H ₂ O)
Recommended air cleaner element - (standard)	Cummins Filtration AH1140
Recommended air cleaner element - (heavy duty)	Optional: primary element AF26124; secondary element AF26125

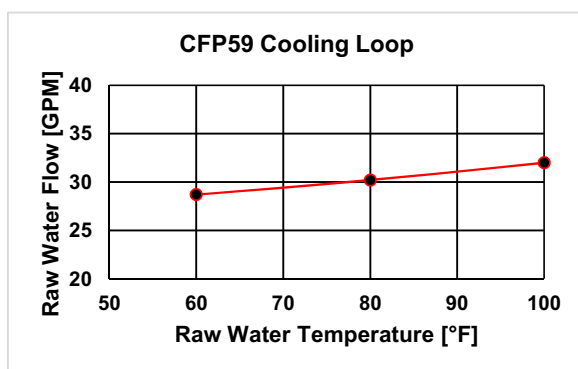
Lubrication system

Oil pressure range at rated	10-50 PSI (69-345 kPa)
Oil capacity of pan (high - low)	15-13 qt. (14.2-12.3 L)
Total system capacity	4.3 gal. (16.3 L)
Recommended lube oil filter	Cummins Filtration LF3959

Cooling system*

Raw water working pressure range at heat exchanger	60 PSI (413 kPa) MAX
Recommended minimum water supply pipe size to heat exchanger	.75 in. (19.05 mm)
Recommended minimum water discharge pipe size from heat exchanger	1.00 in. (25.40 mm)
Coolant water capacity (engine only)	4 gal. (15.1 L)
Standard thermostat - type	Modulating
Standard thermostat - range	180-203 °F (82-95 °C)
Normal Operating Temperature	180-212 °F (82-100 °C)
Minimum raw water flow:	
- with water temperatures to 60 °F (16 °C)	28.7 GPM (1.81 L/sec)
- with water temperatures to 80 °F (27 °C)	30.2 GPM (1.91 L/sec)
- with water temperatures to 100 °F (38 °C)	32 GPM (2.02 L/sec)

* A jacket water heater is mandatory on this engine. The recommended heater wattage is 1500 down to 40 °F (4 °C)



Exhaust system

Maximum allowable back pressure by complete exhaust system	40.8 in. H ₂ O (10.2 kPa)
Exhaust pipe size normally acceptable	4 in. (102 mm)

Noise emissions - The noise emission values are estimated sound pressure levels at 3.3 ft. (1 m).

Top	96.3 dBa
Right side	96.3 dBa
Left side	99.0 dBa
Front	98.9 dBa
Exhaust	114.0 dBa

Fuel supply/drain system

Operating speed in RPM	2100		2350		2600	
	Fuel rate - gal/hr (L/hr)	7.5 (28.4)	7.9 (29.8)	8.2 (31.0)		
Fuel type	No. 2 diesel only					
Minimum supply line size	0.25 in. (6.35 mm)					
Minimum drain line size	0.125 in. (3.18 mm)					
Maximum fuel height above C/L fuel pump	50.5 in. (1.3 m)					
Recommended fuel filter - primary	Cummins Filtration FS5052					
Recommended fuel filter - secondary	None					
Maximum restriction @ lift pump-inlet - with clean filter	4.0 in. Hg (102 mm Hg)					
Maximum restriction @ lift pump-inlet - with dirty filter	8.0 in. Hg (203 mm Hg)					
Maximum return line restriction - without check valves	20 in. Hg (508 mm Hg)					
Minimum fuel tank vent capability	12 ft ³ /hr (0.36 m ³ /hr)					
Maximum fuel temperature @ lift pump inlet	160 °F (71 °C)					

Starting and electrical system

Minimum recommended battery capacity - cold soak at 0 °F (-18 °C) or above	12V	24V
Engine only - cold cranking amperes	900 CCA*	900 CCA*
Engine only - reserve capacity	430 minutes*	430 minutes*

*Based on FM requirement for a minimum of 900 CCA and 430 reserve capacity minutes

Battery cable size - minimum of 2/0 AWG and maximum cable length not to exceed 6 ft. (1.5 m)	12V	24V
Maximum resistance of starting circuit	0.002 Ohms	0.002 Ohms
Typical cranking speed	120 RPM	120 RPM
Alternator (standard), internally regulated	95 amps	45 amps

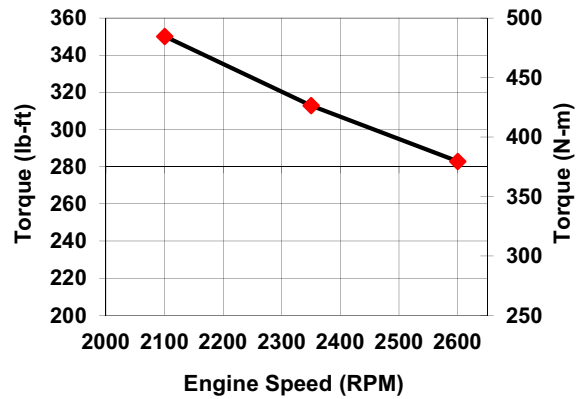
Operating conditions

Operating speed in RPM	2100		2350		2600	
	Output - BHP (kW)	140 (104)	140 (104)	140 (104)	140 (104)	140 (104)
Ventilation air required - CFM (litre/sec)	346 (163)	398 (188)	430 (203)			
Exhaust gas flow - CFM (litre/sec)	868 (410)	968 (457)	1035 (489)			
Exhaust gas temperature - °F (°C)	893 (478)	893 (478)	893 (478)			
Heat rejection to coolant - BTU/min. (kW)	3021 (53)	3656 (64)	3810 (67)			
Heat rejection to ambient - BTU/min. (kW)	811 (14)	864 (15)	910 (16)			

Engine performance curve for CFP59-F25

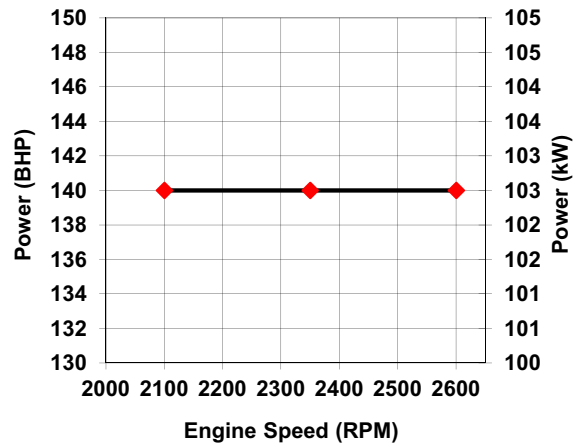
Torque Output

RPM	lb-ft	N-m
2100	350	475
2350	313	424
2600	283	383



Horsepower Output

RPM	BHP	kW
2100	140	104
2350	140	104
2600	140	104



Performance data

All data is based on the engine operating with a fuel system, water pump, lubricating oil pump, air cleaner, and alternator. The fan, optional equipment, and driven components are not included. Data is based on operation at SAE standard J1394 conditions of 300 ft. (91.4 m) altitude, 29.61 in. (752 mm) Hg dry barometer, and 77 °F (25 °C) intake air temperature, using No.2 diesel fuel only.

Altitude above which output should be limited*: 300 ft. (91.4 m)

Correction factor per 1000 ft. (305 m) above altitude limit: 3%

Temperature above which output should be limited: 77 °F (25 °C)

Correction factor per 10 °F (5.6 °C) above temperature limit: 1% (2%)

* Above 5,000 feet, contact Cummins for derate information.

Fire pump digital panel (FPDP)



The Cummins FPDP is an integrated microprocessor-based control system that provides full digital technology with enhanced accuracy and built-in redundancy.

Reliable design - Designed and tested with isolated mounting to minimize vibration for longer life and durability, the Cummins FPDP proves reliable in harsh environments.

Advanced control methodology - The Cummins FPDP allows for Input/Output (I/O) expansion and remote monitoring capabilities.

Certified quality - The Cummins FPDP is UL 1247 Listed and FM 1333 Approved.

Operator panel features

Operator/display panel

- 7" TFT LCD (thin-film-transistor liquid-crystal display) - color, 24-bit, 800x480 (WVGA).
- Auto, manual, start, stop, and fault reset.
- Assembly enclosure that meets Type 2 and Type 4X design requirements and is water, corrosion, fire, and impact-resistant.
- Optional RS-485 serial - Modbus RTU/Modbus TCP/IP.

Other control features

- Digital Panel Expansion Module (DPEM) for additional analog/digital inputs and configurable dry relay contact output.
- DC voltage.

Functional

- Configurable display units for temperature in degrees Fahrenheit or Celsius and pressure in PSI or kPa.
- Ability to crank the fire pump drive engine from Battery A, Battery B, or both.
- Overspeed shutdown.

Environmental

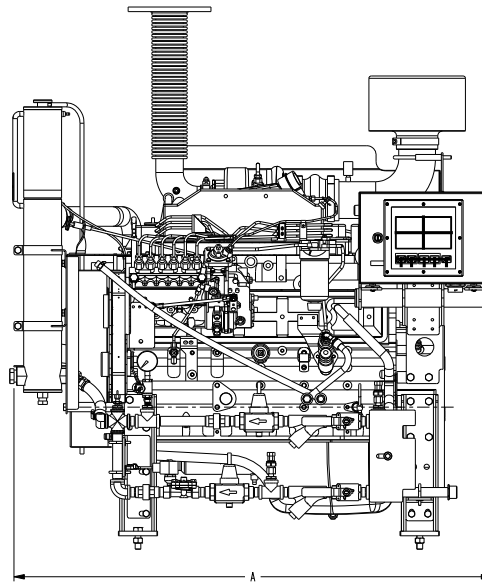
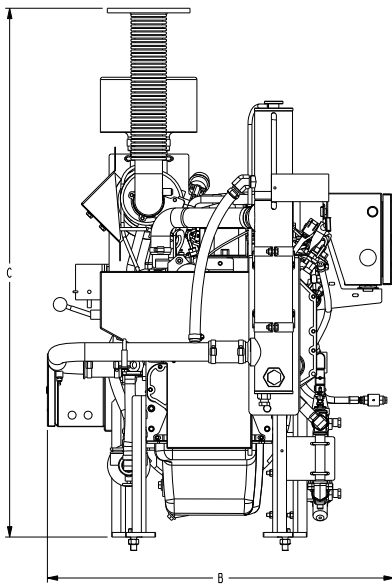
- Operating temperature: minus 4 to 140 °F (minus 20 to 60 °C).
- Storage temperature - minus 22 to 176 °F (minus 30 to 80 °C).
- Meets CISPR 11 Class B radiated emissions.

Electrical

- 8-30 VDC operating voltage.
- Reverse polarity protected.
- Spring cage terminal block interface.
- Built-in dual micro controllers for increased reliability.

Mechanical

- 1 3/8" pre-cut customer conduit knockout for easy field installation.
- Simplified internal design for efficiency and ease of customer connections.
- 16GA ASTM A366 material - 316 stainless steel optional.
- RAL3001 red powder coat finish.



This outline drawing is for reference only.
Do not use for installation design.

	Dim "A" in. (mm)	Dim "B" in. (mm)	Dim "C" in. (mm)
CFP59	52 (1320)	38 (959)	58 (1462)

NOTE: Consult drawings or contact the factory for additional information.

NOTE: Specifications are subject to change without notice.
For more information, contact firepumpsales@cummins.com.



This product has been manufactured under the controls established by a Bureau Veritas Certification approved management system that conforms with ISO 9001:2015.



Cummins Sales and Service
875 Lawrence Drive
DePere, Wisconsin 54115
1 920 337 9750

cummins.com