

FOR FIREPUMP MODEL GF959-F55, REF DWG 9926 FOR CUMMINS FIREPOWER-INSTALLED POWER-TO-STOP TIMER RELAY

- NOTES:**
- WIRE IS 14 AWG UNLESS OTHERWISE NOTED
 - RED TEXT = WIRE TAG
 - GREEN TEXT = WIRE COLOR
 - WIRE COLOR IS WHITE UNLESS OTHERWISE NOTED
 - D1 - D4: 6 Amp/400 Vpiv

REV	DESCRIPTION OF REVISION	BY	DATE
E	ADDED SHEETS 3, 4, 5, & 6	RJS	20 MAR 07
D	REVISED SHEET 3	RJS	19 SEPT 06
C	REMOVED 5 AMP CIRCUIT BREAKER	RJS	27 JUNE 06
B	ADDED CONNECTION TO TERMINAL 8 OF SPEED SWITCH	RJS	17 DEC 05
A	CHANGED WIRE GAUGES, CHGD TB 1 LABELS	RJS	27OCT05
REV		BY	DATE

FirePump CLAIMING THE POWER

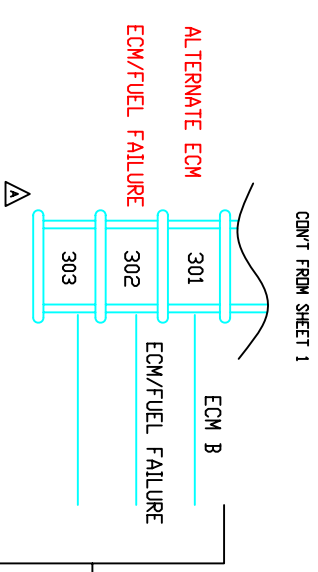
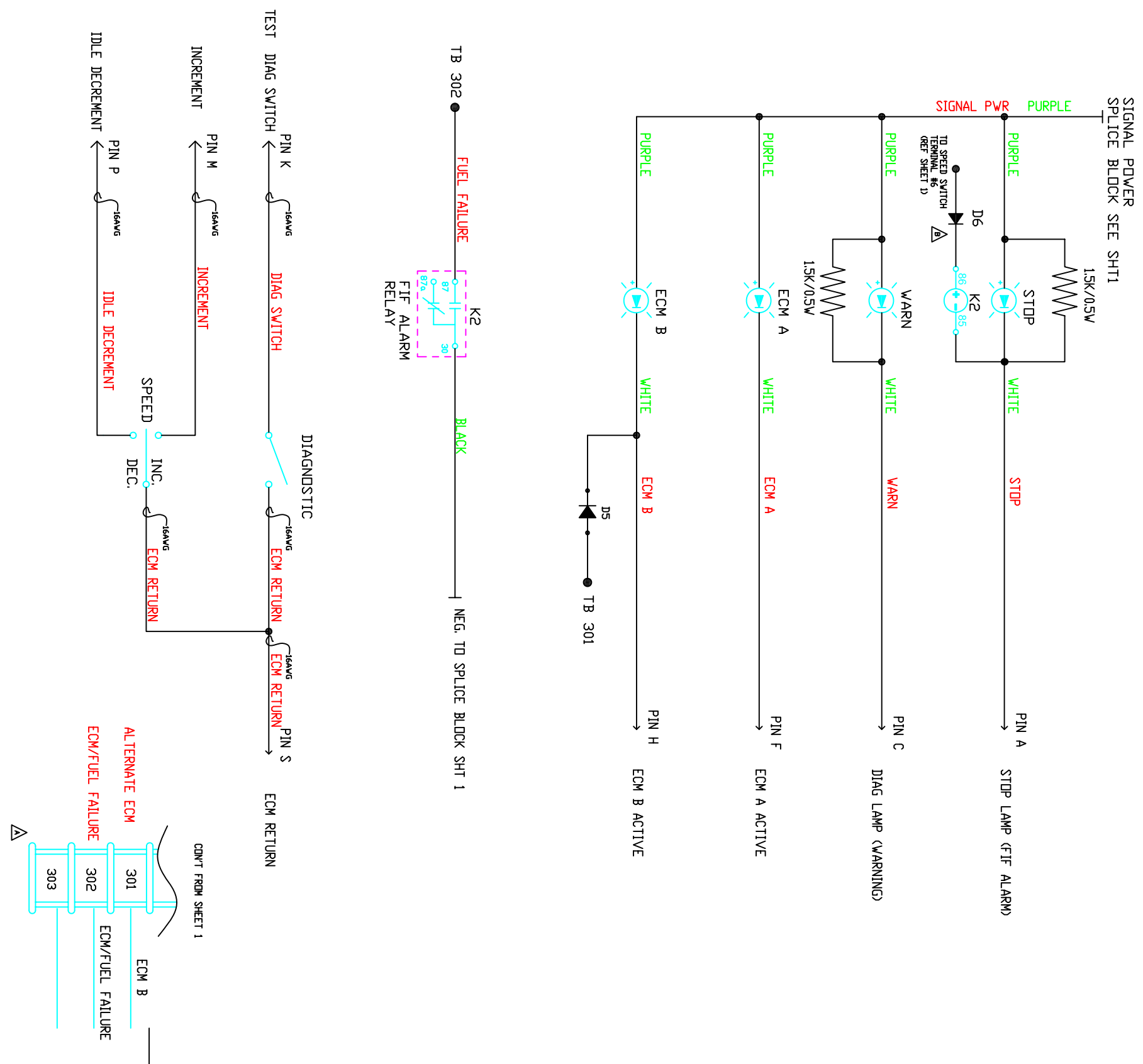
FOR FIREPUMP MODEL GF959-F55, REF DWG 9926 FOR CUMMINS FIREPOWER-INSTALLED POWER-TO-STOP TIMER RELAY

CLAIMING THE POWER
 FIREPUMP MODEL GF959-F55
 10423E-SHT1

TERMINAL BLOCK

TERMINAL	DESCRIPTION
1	CRANK TERMINATE
2	CRANK TERM SIGNAL
3	OVERSPEED
4	LOW DIL PRESSURE
5	HVTL ALARM SIGNAL
6	BATTERY 'A' +
7	BATTERY 'A' -
8	BATTERY 'B' +
9	BATTERY 'B' -
10	CRANK BATTERY 'A'
11	CRANK BATTERY 'B'
12	GROUND
301	
302	
303	

ADDITIONAL CIRCUITS FOR ELECTRONIC ENGINES



LEGEND:
 K2 ECM/FUEL FAIL RELAY
 R RESISTOR

NOTES: WIRE IS 14AWG UNLESS OTHERWISE NOTED
 RED TEXT = WIRE TAG
 GREEN TEXT = WIRE COLOR
 WIRE COLOR IS WHITE UNLESS OTHERWISE NOTED
 RESISTOR VALUE = 1.5kohms, 1/2W
 MINIMUM DIODE RATING: 6A/400V

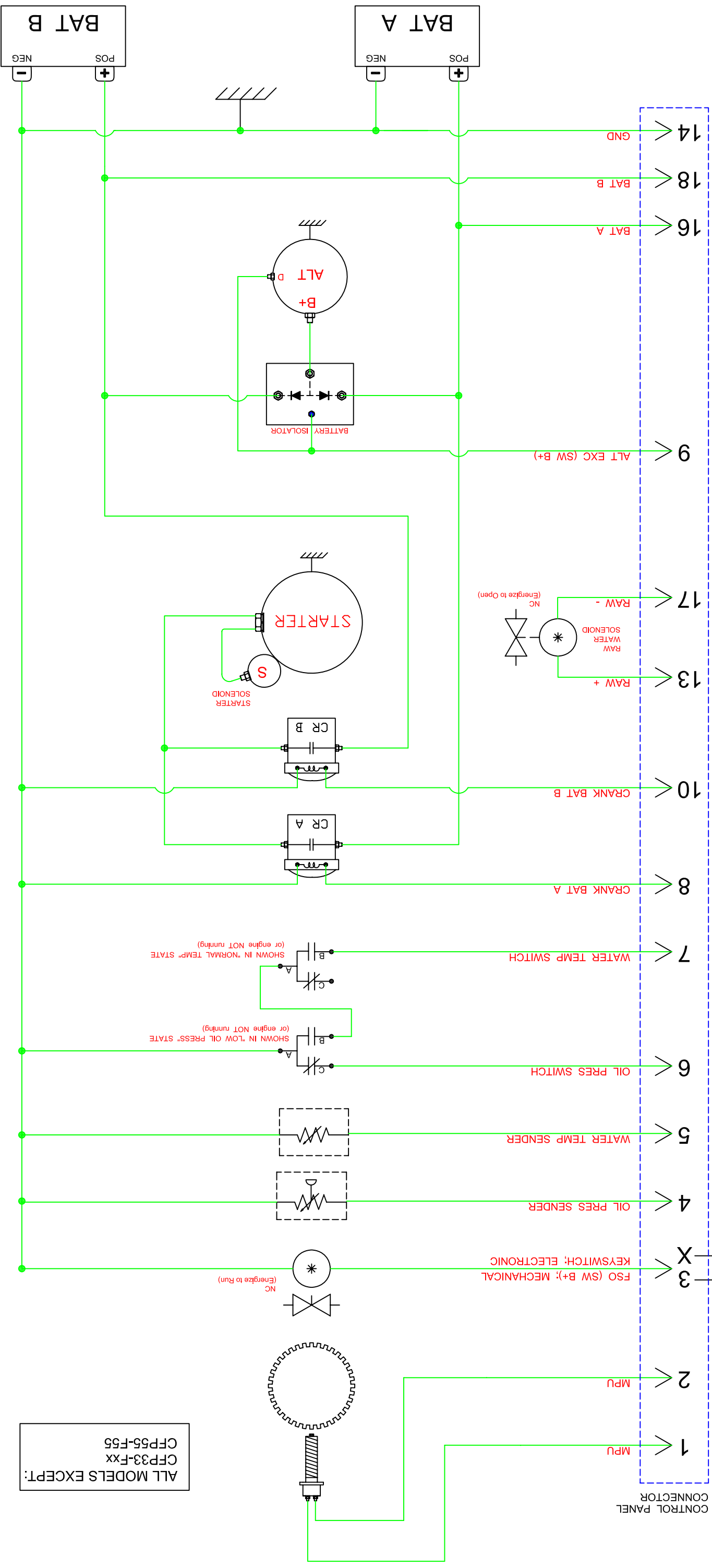
REV	DESCRIPTION OF REVISION	DATE	BY
A	REV PAGE 1 REV NOTES	27 OCT 03	RJS
B	CHGD WIRING OF K2	17 DEC 03	RJS
C	REVISION	3 MAY 04	RJS
D	SEE SH1 FOR REV CHANGE	19 SEPT 04	RJS
E	ADDED SHEETS 3, 4, 5, 6 & 8	20 MAR 07	RJS

DATE	BY	DESCRIPTION OF REVISION
20 MAR 07	RJS	ADDED SHEETS 3, 4, 5, 6 & 8
19 SEPT 04	RJS	SEE SH1 FOR REV CHANGE
3 MAY 04	RJS	REVISION
17 DEC 03	RJS	CHGD WIRING OF K2
27 OCT 03	RJS	REV PAGE 1 REV NOTES

DATE	BY	DESCRIPTION OF REVISION
20 MAR 07	RJS	ADDED SHEETS 3, 4, 5, 6 & 8
19 SEPT 04	RJS	SEE SH1 FOR REV CHANGE
3 MAY 04	RJS	REVISION
17 DEC 03	RJS	CHGD WIRING OF K2
27 OCT 03	RJS	REV PAGE 1 REV NOTES

DATE	BY	DESCRIPTION OF REVISION
20 MAR 07	RJS	ADDED SHEETS 3, 4, 5, 6 & 8
19 SEPT 04	RJS	SEE SH1 FOR REV CHANGE
3 MAY 04	RJS	REVISION
17 DEC 03	RJS	CHGD WIRING OF K2
27 OCT 03	RJS	REV PAGE 1 REV NOTES

<p>Firepower COMMERCIAL OFFICE 1000 W. BROADWAY WHITE BEAR LAKE, WY 83091 307.533.8888 WWW.FIREPOWER.COM</p>	<p>CLAIMING FIRE POWER PERSON CENTER 1000 W. BROADWAY WHITE BEAR LAKE, WY 83091 307.533.8888 WWW.FIREPOWER.COM</p>
<p>DATE SCALE N/A</p> <p>DESCRIPTION SCHEMATIC: CONTROL PANEL</p> <p>REFERENCE FIREPUMP</p>	<p>DATE 06 OCT 2005</p> <p>DATE 06 OCT 2005</p> <p>DATE 06 OCT 2005</p> <p>DATE 06 OCT 2005</p>

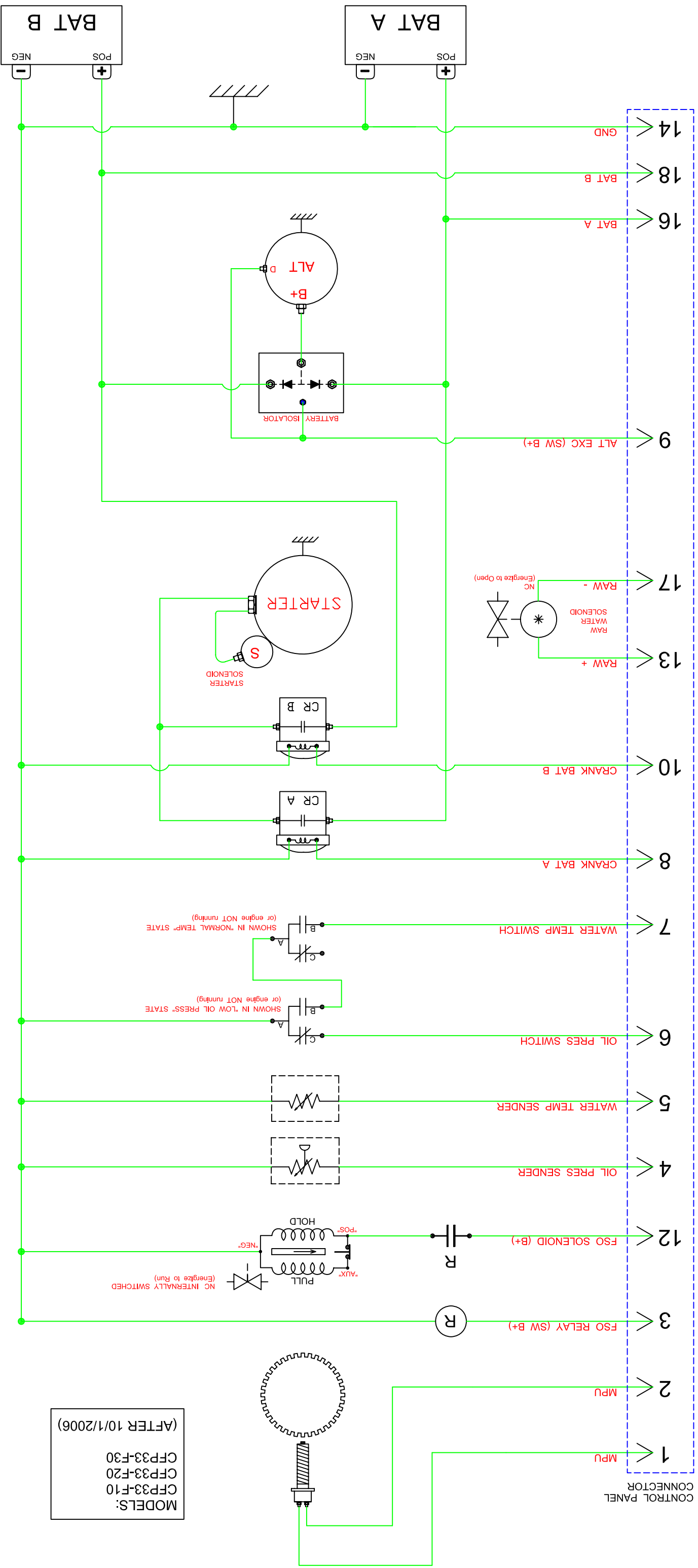


MECHANICAL ENGINES
ELECTRONIC ENGINES

REV	DESCRIPTION OF REVISION	DATE	BY
A	REV. PAKE 1 REV. NOTES	27 OCT 05	RJS
B	CHGD WIRING OF K2	17 DEC 05	RJS
C	REVISED WIRING OF K2	3 MAY 06	RJS
D	SEE SH1 FOR REV CHANGE	19 SEPT 06	RJS
E	MODD SHEETS 3, 4, 5, 6 & 8	20 MAR 07	RJS

	CLAIMING FIRE POWER DESIGN CENTER 10423E SHT3 DATE 06 OCT 2005
	CLAIMING FIRE POWER DESIGN CENTER 10423E SHT3 DATE 06 OCT 2005

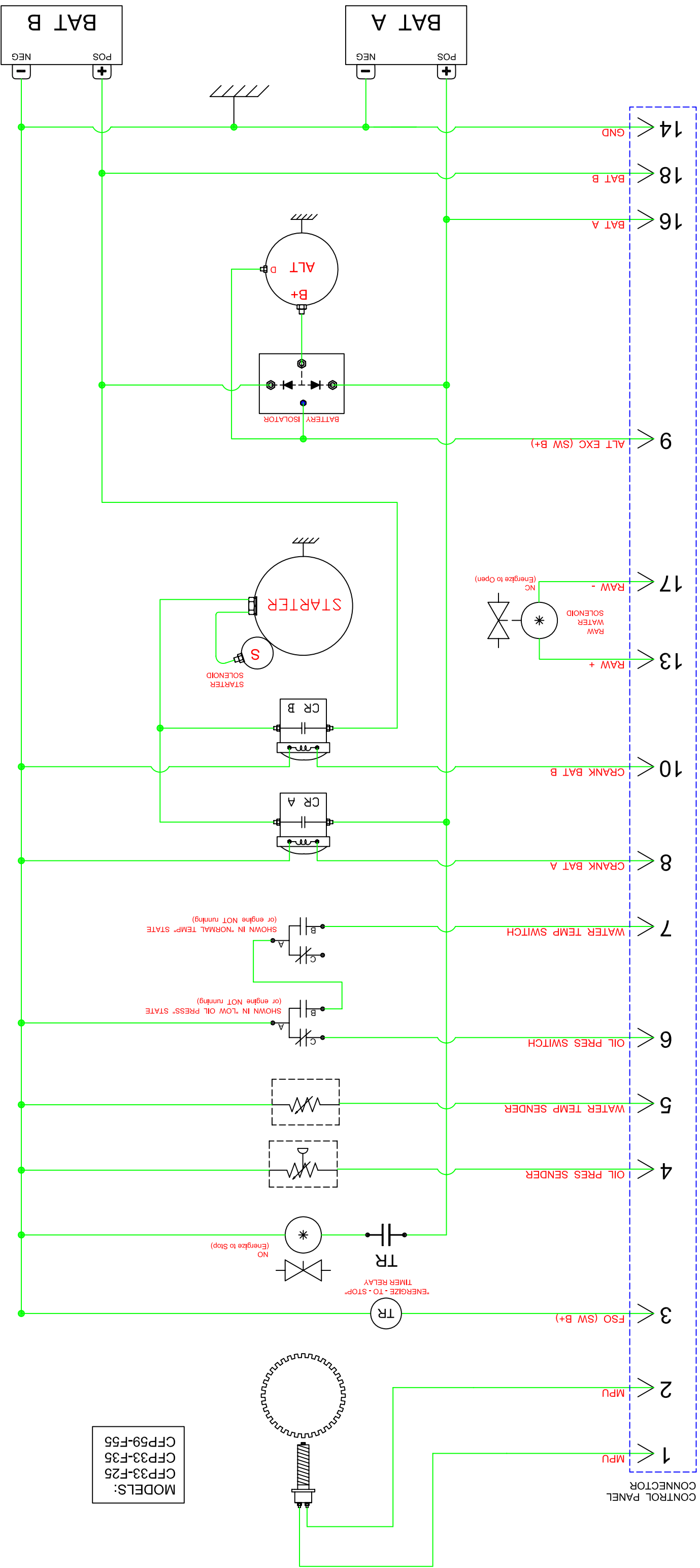
	CLAIMING FIRE POWER DESIGN CENTER 10423E SHT3 DATE 06 OCT 2005
	CLAIMING FIRE POWER DESIGN CENTER 10423E SHT3 DATE 06 OCT 2005



MODELS:
 CFP33-F10
 CFP33-F20
 CFP33-F30
 (AFTER 10/1/2006)

REV	DESCRIPTION OF REVISION	DATE	BY
A	REV PAGE 1 REV NOTES	27 OCT 05	RJS
B	CHGD WIRING OF I2	17 DEC 05	RJS
C	REVISION	3 MAY 06	RJS
D	SEE SH1 FOR REV CHANGE	19 SEPT 06	RJS
E	MODD SHEETS 3, 4, 5, 6 & 8	20 MAR 07	RJS

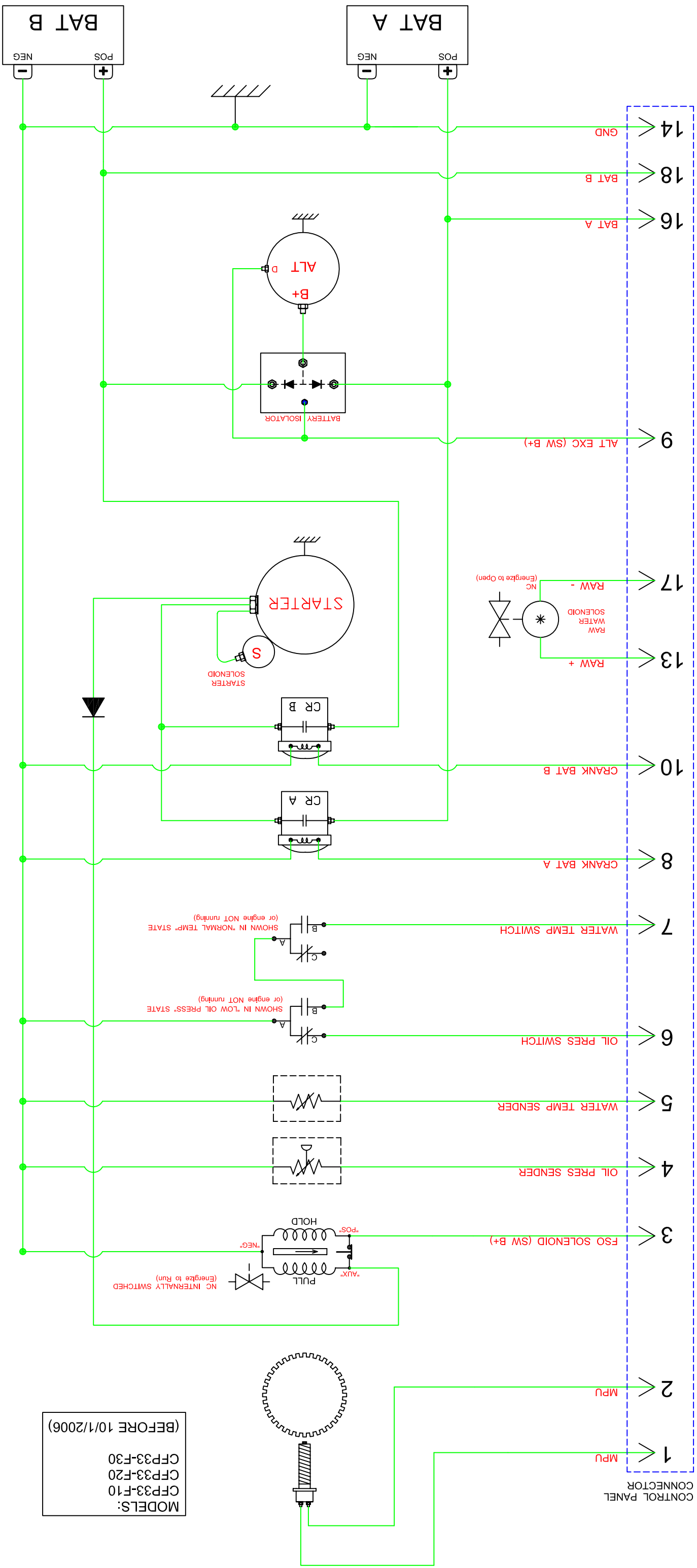
CLAIMING FIRE POWER	CLAIMING FIRE POWER
PERSONAL CENTER	PERSONAL CENTER
ADDRESS: WISCONSIN	ADDRESS: WISCONSIN
PHONE: 262.338.2200	PHONE: 262.338.2200
WWW.POWER-FIRE.COM	WWW.POWER-FIRE.COM
DATE: 06. OCT. 2005	DATE: 06. OCT. 2005
PILOT SCALE: N/A	PILOT SCALE: N/A
REV: N/A	REV: N/A
DESCRIPTION: ENGINE SCHEMATIC	DESCRIPTION: ENGINE SCHEMATIC
REFERENCE: FIREPUMP	REFERENCE: FIREPUMP
DRAWING NUMBER: 10423E_SHT4	DRAWING NUMBER: 10423E_SHT4



MODELS:
 CFP59-F55
 CFP33-F35
 CFP33-F25

REV	DESCRIPTION OF REVISION	DATE	BY
A	REV PAGE 1 REV NOTES	27 OCT 03	RJS
B	CHGD WIRING OF K2	17 DEC 03	RJS
C	REVISED WIRING OF K2	3 JULY 04	RJS
D	SEE SH1 FOR REV CHANGE	19 SEPT 04	RJS
E	MODED SHEETS 3, 4, 5, 6 & 8	20 MAY 07	RJS

	CLAIMING INVENTOR CLAIMING CENTER NUMBER CLAIMING CENTER NAME CLAIMING CENTER ADDRESS CLAIMING CENTER CITY CLAIMING CENTER STATE CLAIMING CENTER ZIP CLAIMING CENTER PHONE CLAIMING CENTER FAX CLAIMING CENTER EMAIL CLAIMING CENTER WEBSITE	CLAIMING INVENTOR CLAIMING CENTER NUMBER CLAIMING CENTER NAME CLAIMING CENTER ADDRESS CLAIMING CENTER CITY CLAIMING CENTER STATE CLAIMING CENTER ZIP CLAIMING CENTER PHONE CLAIMING CENTER FAX CLAIMING CENTER EMAIL CLAIMING CENTER WEBSITE
	DRAWING NUMBER 10423E_SHT5	



MODELS:
 CFP33-F10
 CFP33-F20
 CFP33-F30
 (BEFORE 10/1/2006)

REV	DESCRIPTION OF REVISION	BY	DATE

Fire Power
 CLAIMING FIRE POWER
 DESIGN CENTER
 1000 WEST 10TH AVENUE
 DENVER, COLORADO 80202
 WWW.FIREPOWER.COM
 PHONE: 303.733.1111
 FAX: 303.733.1112
 EMAIL: SALES@FIREPOWER.COM

CLAIMING FIRE POWER
 DESIGN CENTER
 1000 WEST 10TH AVENUE
 DENVER, COLORADO 80202
 WWW.FIREPOWER.COM
 PHONE: 303.733.1111
 FAX: 303.733.1112
 EMAIL: SALES@FIREPOWER.COM

DESCRIPTION: SCHEMATIC
 ENGINE: FIREPUMP
 DRAWING NUMBER: 10423_SHT6