

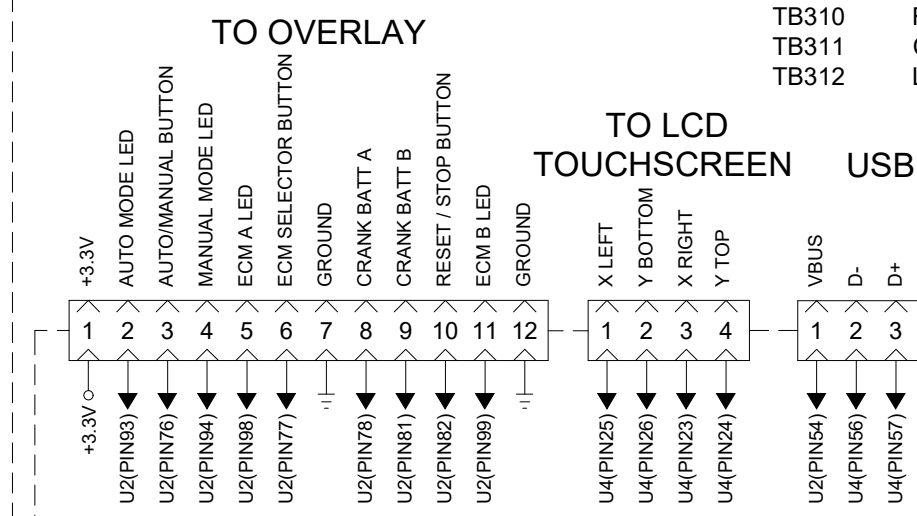
FPDP GEN II
 CS P/N A042G184
 SS P/N A042G186

TERMINAL BLOCK LEGEND

TB1	AUTO/MANUAL
TB2	CRANK TERMINATION SWITCH
TB3	OVERSPEED SWITCH
TB4	LOW LUBRICANT PRESSURE SWITCH
TB5	HIGH ENGINE TEMPERATURE SWITCH
TB6	BATTERY 1 POSITIVE
TB8	BATTERY 2 POSITIVE
TB9	MAIN BATTERY CONTACT 1 COIL
TB10	MAIN BATTERY CONTACT 2 COIL
TB11	COMMON BATTERY 1 AND 2 NEGATIVE
TB301	ELECTRONIC CONTROL MODULE SWITCH
TB302	FUEL INJECTION MALFUNCTION
TB303	ELECTRONIC CONTROL MODULE WARNING
TB304	ELECTRONIC CONTROL MODULE FAILURE
TB310	RAW WATER HIGH INLET TEMPERATURE
TB311	CLOGGED RAW WATER COOLANT LOOP STRAINER
TB312	LOW ENGINE TEMPERATURE SWITCH

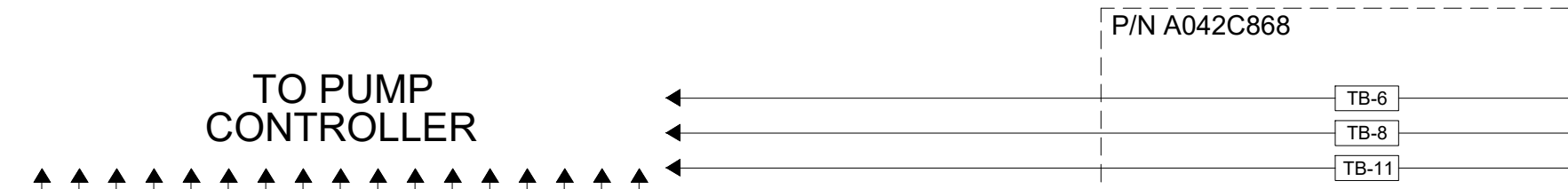
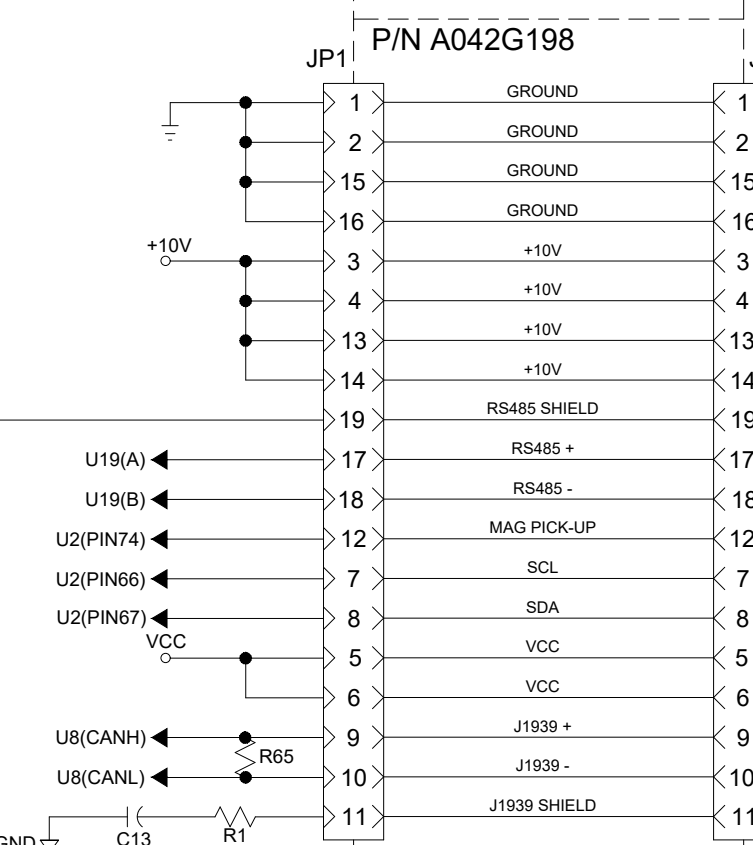
**P/N A042G196
 POWER BOARD**

POWER LED 19
 HEARTBEAT LED 20

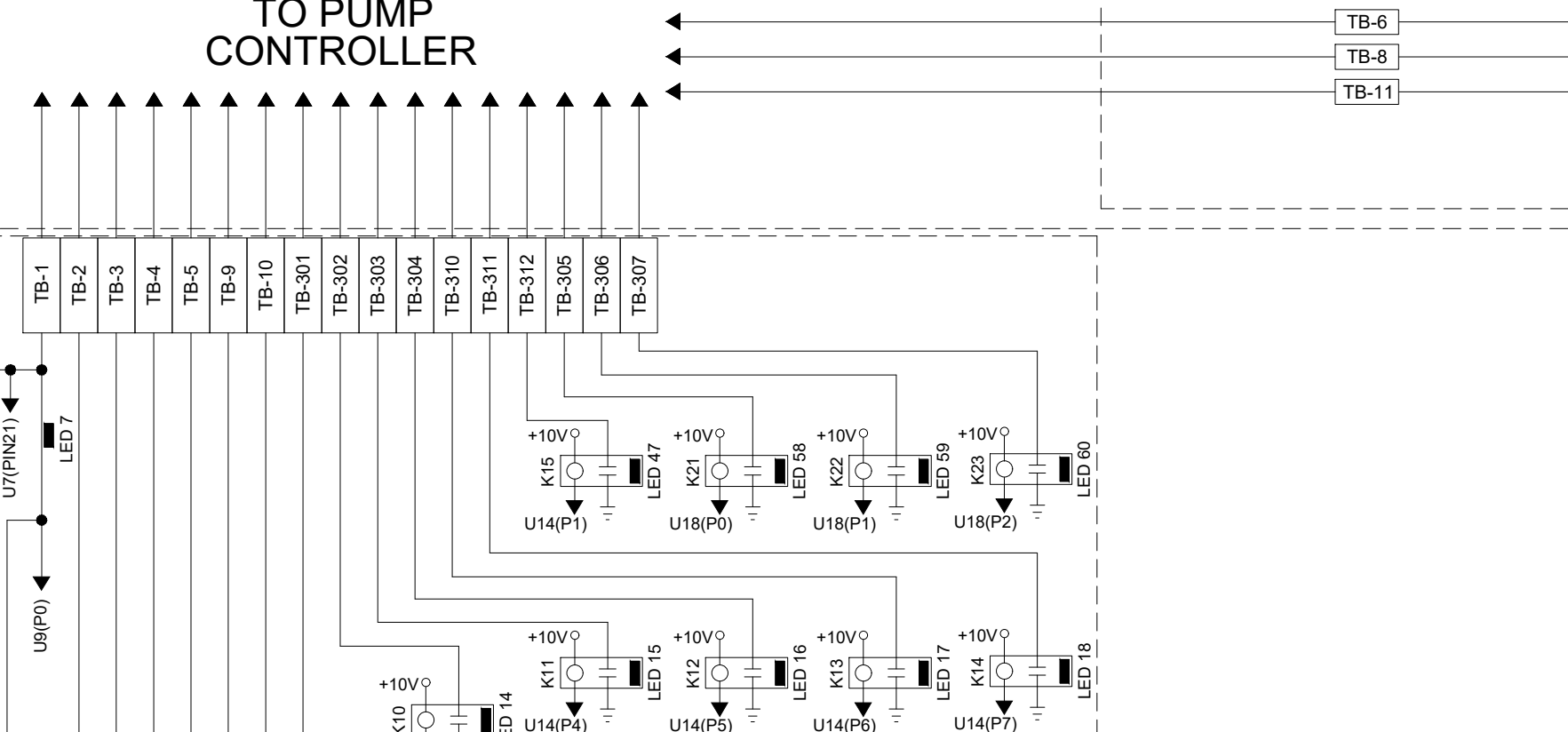


TO LCD
 40 PIN FLEX CABLE

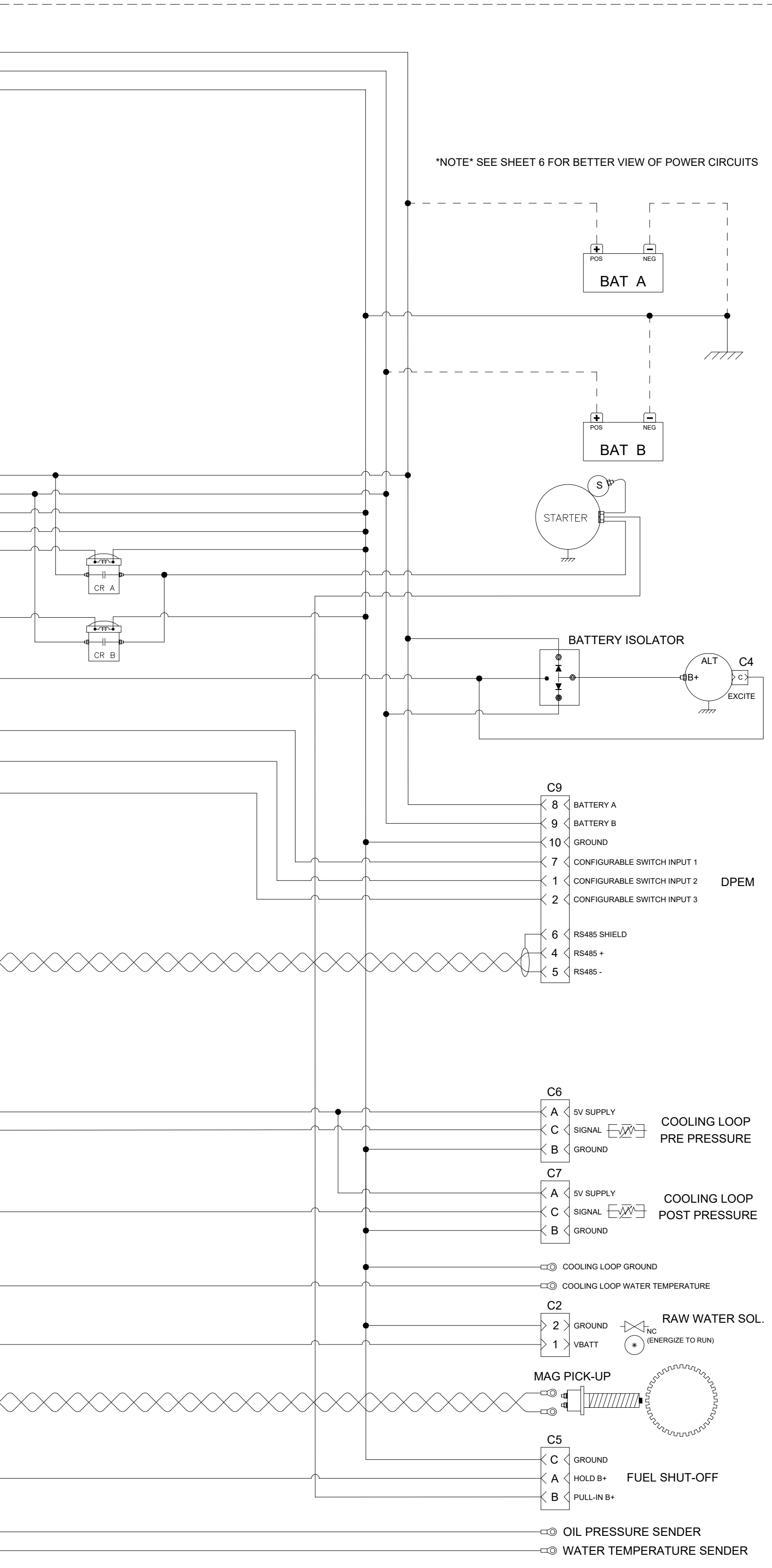
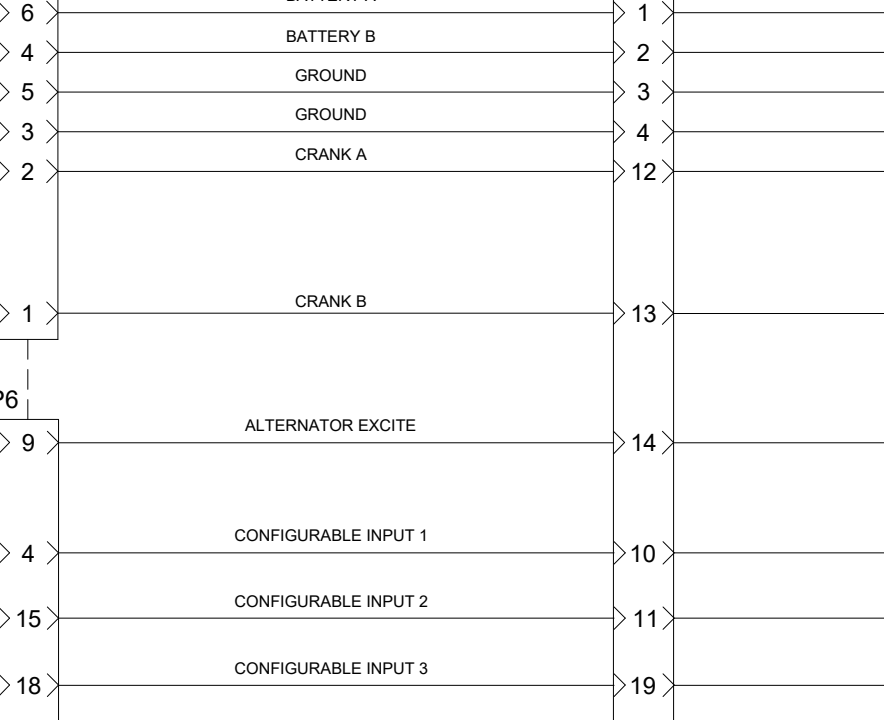
**P/N A042G195
 DISPLAY BOARD**



P/N A042C868
 P/N A042H306



P/N A042G197



NOTE SEE SHEET 6 FOR BETTER VIEW OF POWER CIRCUITS

**SCHEMATICS, OVERALL, CFP8.3
 FPDP GEN II**

PROPERTY OF Cummins NPower LLC

CUMMINS NPOWER LLC
 CORPORATE OFFICE
 1600 BURNLEY ROAD
 WHITE OAK LAKE, MN
 WWW.CUMMINSNPOWER.COM

CUSTOM DESIGN AND
 UPTI CENTER
 875 LAWRENCE DRIVE
 DEPERE, WISCONSIN

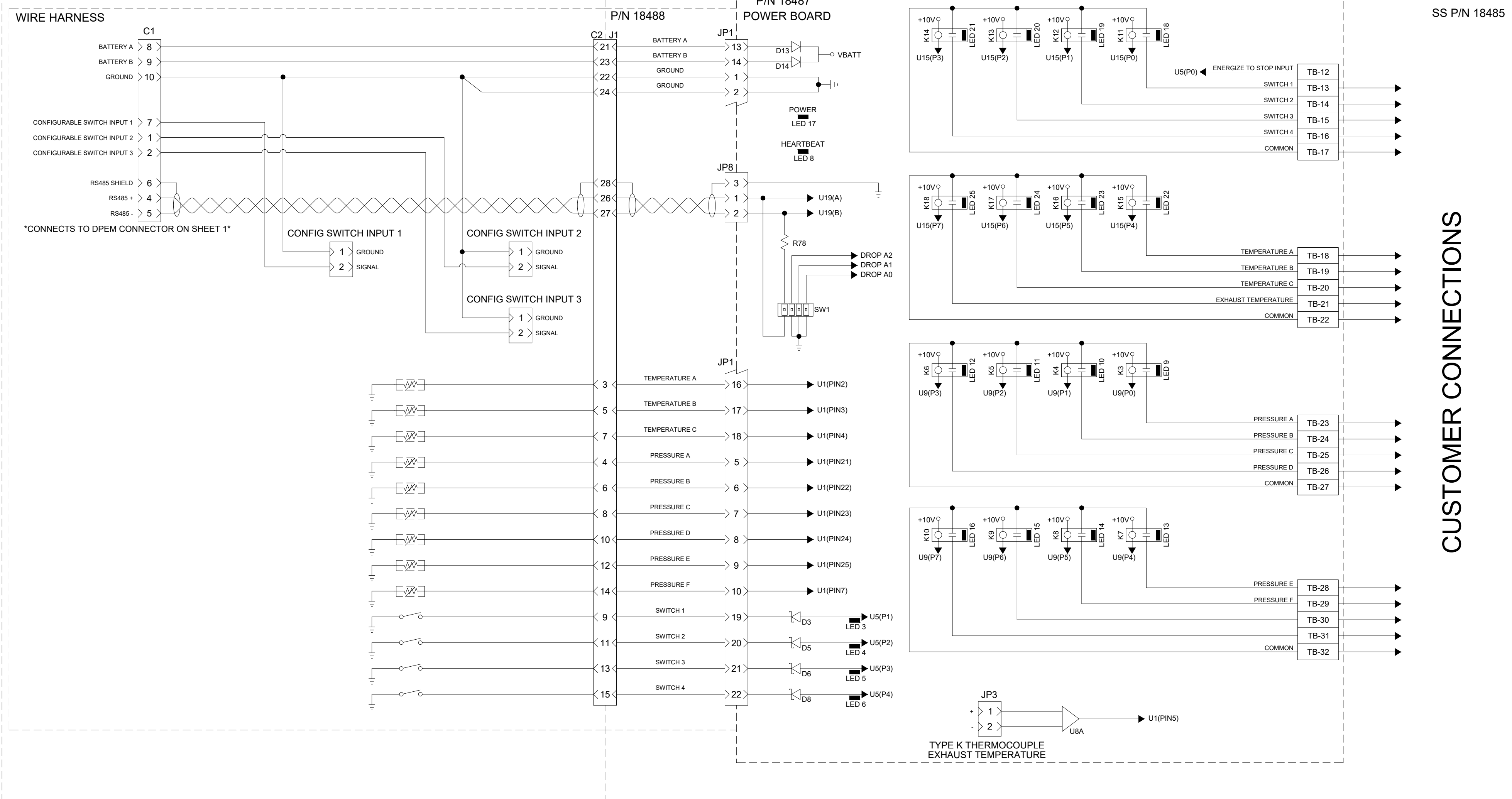
UNLESS OTHERWISE SPECIFIED ALL DIMENSION TOLERANCES ARE:
 ANGULAR DIMENSIONS ± 1°
 THIRD ANGLE PROJECTION

A	2019-037	ADDED TERMINAL BLOCK LEGEND CORRECTED OSS SWITCH TO B+	JF	24JAN2019
REV	ECO	DESCRIPTION OF REVISION	BY	DATE

DWG UNITS: INCH/LB/S
 SCALE: SHEET 1 OF 3
 EST WEIGHT:

DRAWN BY: KAK
AUTO CAD
 DATE: 22 NOV 2016
 INIT ECO: 2016-694
 DRAWING NO: A042J120

DPEM OPTION



CUSTOMER CONNECTIONS

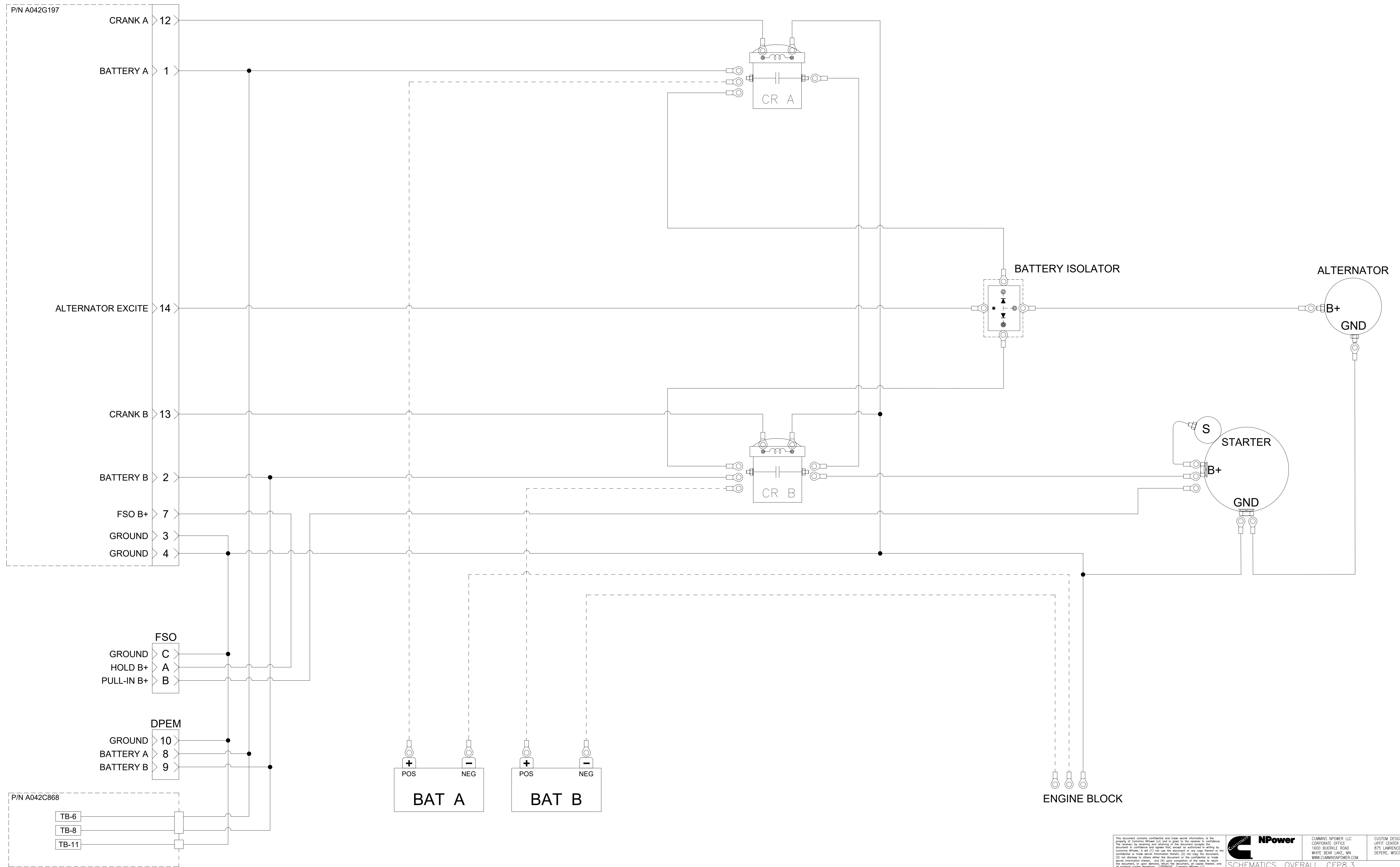
This document contains confidential and trade secret information. It is the property of Cummins NPower LLC and is loaned to the recipient in confidence. The recipient, by receiving and retaining this document, accepts the responsibility to maintain and control this information and to return it to Cummins NPower, LLC upon request. It is not to be distributed, copied, or otherwise used without the express written consent of Cummins NPower, LLC. If you are not the intended recipient, you should not disseminate, distribute, or take any action in reliance on the information contained herein. If you have received this document in error, please notify the sender immediately by email at info@cumminsnpower.com or by phone at 1-800-441-2343. All rights reserved. © 2016 Cummins NPower LLC.

UNLESS OTHERWISE SPECIFIED ALL DIMENSION TOLERANCES ARE:

ANGULAR DIMENSIONS ± 1°	IMPERIAL UNITS	METRIC UNITS
THIRD ANGLE PROJECTION	0.005	0.125
	0.010	0.250
	0.015	0.375
	0.020	0.500
	0.030	0.750
	0.040	1.000
	0.050	1.250
	0.060	1.500
	0.070	1.750
	0.080	2.000
	0.090	2.250
	0.100	2.500

SCHEMATICS, OVERALL, CFP8.3
FPDP GEN II

DWG UNITS: INCH/LB/S	DRAWN BY: KAK	DATE: 22 NOV 2016
SCALE:	AUTO CAD	INIT ECO: 2016-694
EST WEIGHT:	SHEET 2 OF 3	DRAWING NO: A042J120



This document contains confidential and trade secret information. It is the property of Cummins NPower LLC and is loaned to the receiver in confidence. The receiver, by reviewing and retaining this document, accepts the responsibility to maintain and control this document, and to return it to Cummins NPower, LLC. It will not use this document or any copy thereof or the contents or any part thereof for any purpose other than that for which it was intended. It will not disclose to others either the document or the confidential or trade secret information therein, and it will not copy, reproduce, or otherwise disseminate the document, or any part thereof, without the prior written consent of Cummins NPower, LLC. All rights reserved. © 2016 Cummins NPower, LLC.

UNLESS OTHERWISE SPECIFIED ALL DIMENSION TOLERANCES ARE:

ANGULAR DIMENSIONS ± 1°	IMPERIAL UNITS	METRIC UNITS
THIRD ANGLE PROJECTION	± 0.005	± 0.13
	± 0.010	± 0.25
	± 0.020	± 0.51
	± 0.030	± 0.76
	± 0.040	± 1.02
	± 0.050	± 1.27

SCHEMATICS, OVERALL, CFP8.3
FPDP GEN II

DWG UNITS: INCH/LB/S	DRAWN BY: KAK	DATE: 22 NOV 2016
SCALE:	AUTO CAD	INIT ECO: 2016-694
EST WEIGHT:	SHEET 3 OF 3	DRAWING NO: A042J120

CUMMINS NPower LLC
CORPORATE OFFICE
1600 BLUEVALE ROAD
WHITE BEAR LAKE, MN
WWW.CUMMINSPOWER.COM

CUSTOM DESIGN AND
UPFIT CENTER
875 LAWRENCE DRIVE
DEPERE, WISCONSIN

A	2019-037	SEE SHEET 1 FOR DETAILS	JF	24JAN2019
REV	ECO	DESCRIPTION OF REVISION	BY	DATE