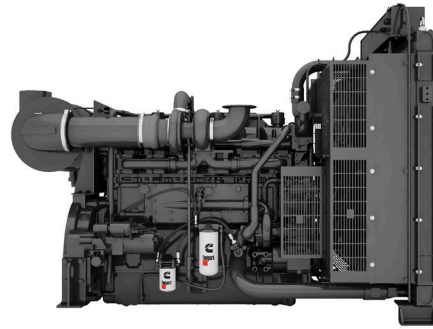




# KTA19-G4

Fuel Optimized



## Description

The KTA19-Series benefits from years of technical development and improvement to bring customers an innovative and future proof diesel engine that keeps pace with ever changing generator set requirements.

Recognized globally for its performance under even the most severe climatic conditions, the KTA19-Series is widely acknowledged as the most robust and cost-effective diesel engine in its power range for the generator set market.

## Features

**Turbocharger** – Cummins Turbo technologies (CTT) exhaust gas driven turbocharger mounted at top of engine.

**Fuel System** – Cummins PT™ self-adjusting system. Integral dual flyweight governor provides overspeed protection independent of main governor.

**Aftercooler** – Large capacity aftercooler results in cooler, denser intake air for more efficient combustion and reduced internal stresses for longer life.

**Cylinder Block** – Alloy cast iron with removable wet liners. Cross bolt support to main bearing cap provides extra strength and stability.

**Service and Support** - G-Drive products are backed by an uncompromising level of technical support and after sales service, delivered through a world class service network.



This equipment has been designed and tested to meet EU product safety regulations. Material compliance declaration is available upon request.



This engine has been designed in facilities certified to ISO9001 and manufactured in facilities certified to ISO9001 or ISO9002.

## 1500 rpm (50 Hz Ratings)

Gross engine output			Net engine output			Typical generator set output					
Standby	Prime	Base	Standby	Prime	Base	Standby (ESP)		Prime (PRP)		Base (COP)	
kWm/BHP			kWm/BHP			kWe	kVA	kWe	kVA	kWe	kVA
504/675	448/600	355/475	481/645	430/583	337/452	450	562	402	503	315	394

## 1800 rpm (60 Hz Ratings)

Gross engine output			Net engine output			Typical generator set output					
Standby	Prime	Base	Standby	Prime	Base	Standby (ESP)		Prime (PRP)		Base (COP)	
kWm/BHP			kWm/BHP			kWe	kVA	kWe	kVA	kWe	kVA
563/755	507/680	429/575	534/716	484/649	406/544	503	629	456	570	382	478

## General Engine Data

Fuel Rating	FR4212
Type	4 cycle, Inline, Turbocharged and Aftercooled
Bore mm	159
Stroke mm	159
Displacement litre	18.9
Cylinder block	Cast iron, 6 cylinder
Battery charging alternator	45A
Starting voltage	24V
Fuel system	Direct Injection Cummins PT
Fuel filter	Spin on fuel filters with water separator
Lube oil filter type(s)	Spin on, full flow
Lube oil capacity (l)	50
Flywheel dimensions	SAE 0

## Coolpac Performance Data

Cooling system design	JWAC	
Coolant ratio	50% ethylene glycol; 50% water	
Total cooling system capacity (l)	93	
Limiting ambient temp.** (°C)	50	
Fan power (kWm)	15 (50Hz)	24 (60Hz)
Cooling system air flow (m³/s)**	9.91 (50Hz)	12.5 (60Hz)
Air cleaner type	Normal duty	

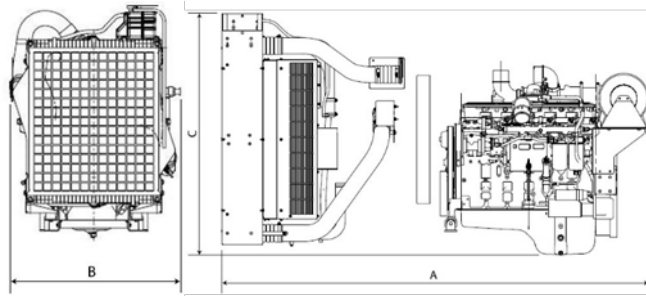
\*\* @ 0.5-inch H<sub>2</sub>O

## Fuel Consumption 1500 rpm (50 Hz)

%	kWm	BHP	L/hr	US Gal./hr
<b>Standby Power</b>				
100	504	675	121	31.9
<b>Prime Power</b>				
100	448	600	107	28.4
75	336	450	82	21.6
50	224	300	57	14.9
25	112	150	30	8.1
<b>Continuous Power</b>				
100	355	475	86	22.8

## Fuel Consumption 1800 rpm (60 Hz)

%	kWm	BHP	L/hr	US Gal./hr
<b>Standby Power</b>				
100	563	755	136	35.9
<b>Prime Power</b>				
100	507	680	122	32.3
75	380	510	94	24.8
50	254	340	65	17.0
25	127	170	36	9.6
<b>Continuous Power</b>				
100	429	575	104	27.5



Note: Drawing shown for illustration purposes only

## Weights and Dimensions

Length mm	Width mm	Height mm	Weight (dry) kg
2600	1344	1773	2065

## Ratings Definitions

Emergency Standby Power (ESP):	Limited-Time Running Power (LTP):	Prime Power (PRP):	Base Load (Continuous) Power (COP):
Applicable for supplying power to varying electrical load for the duration of power interruption of a reliable utility source. Emergency Standby Power (ESP) is in accordance with ISO 8528. Fuel Stop power in accordance with ISO 3046, AS 2789, DIN 6271 and BS 5514.	Applicable for supplying power to a constant electrical load for limited hours. Limited-Time Running Power (LTP) is in accordance with ISO 8528.	Applicable for supplying power to varying electrical load for unlimited hours. Prime Power (PRP) is in accordance with ISO 8528. Ten percent overload capability is available in accordance with ISO 3046, AS 2789, DIN 6271 and BS 5514.	Applicable for supplying power continuously to a constant electrical load for unlimited hours. Continuous Power (COP) in accordance with ISO 8528, ISO 3046, AS 2789, DIN6271 and BS 5514.

For more information contact your local Cummins distributor or visit [power.cummins.com](http://power.cummins.com)

Our energy working for you.™

